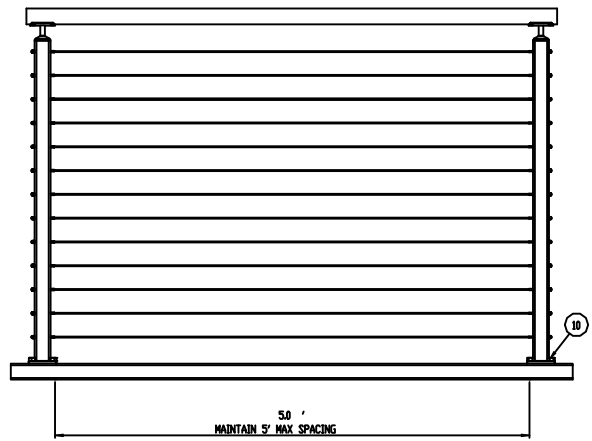
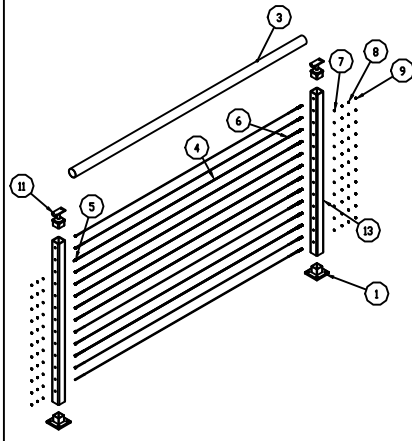
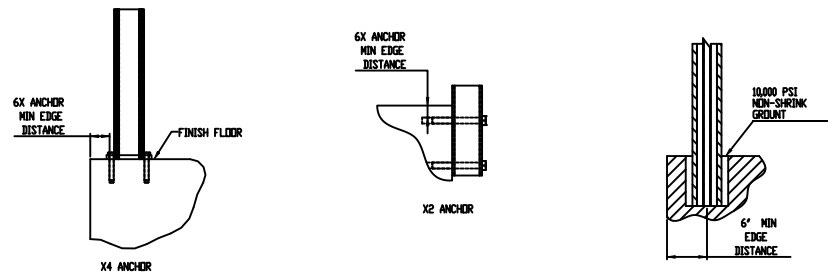
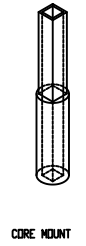
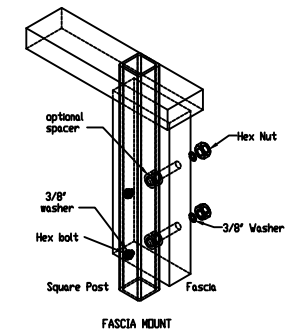
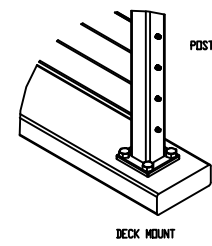
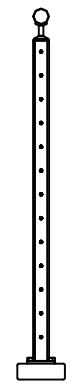


ITEM NO.	PART NUMBER	DESCRIPTION	QTY.
1	04-140-01	STAINLESS STEEL 2" WALL / FLOOR FLANGE / 4 HOLE	2
3	05-300-01	ROUND TOP RAIL (STAINLESS STEEL)	1
4	Stainless Cable	1/8" or 3/16" DIA.	13
5	01-0085-01 OR 01-0285-01	FIELD THREADED TERMINAL	13
6	01-0008-01 OR 01-028-01	FIELD THREADED TENSIDER	13
7	Stainless Washer	STD	26
8	Stainless Hex Nut	STD	26
9	Stainless Acorn Nut	STD	26
10	LAG BOLT	STD	8
11	06-215-01-001-ASH	Stainless 2" Post Cap Fixed - Radius Saddle	2



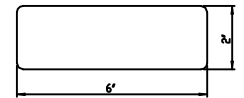
LEVEL 42" STANDARD GUARD RAILING



TYPICAL MOUNTING OPTIONS

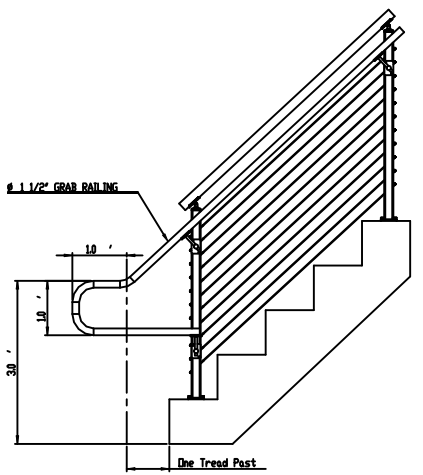
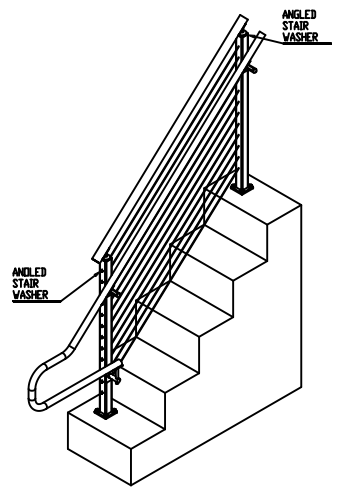


STAINLESS STEEL ROUND  
DVG NO. 05-300-01

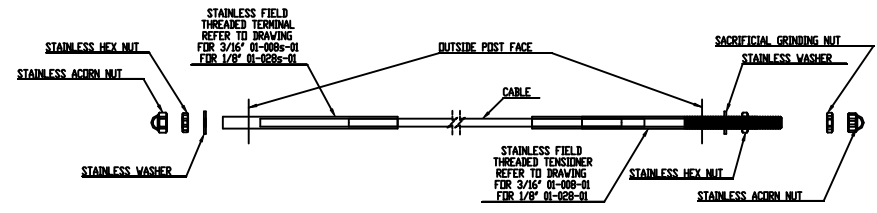


WOOD  
DVG NO. 07-003-01

TOP RAIL OPTIONS



STAIRS 42" STANDARD GUARD RAILING



CABLE ATTACHMENT DETAIL

- CUT EXCESS THREAD.
- REMOVE SACRIFICIAL NUT.
- SCREW ON ACORN NUT.

REV	DATE	DESCRIPTION OF CHANGE	EDR	BY	APPR
REVISIONS					
TOLERANCES X.XX ± .01 X.X ± .015 X ± .025		UNLESS OTHERWISE SPECIFIED ANGULAR FRONTAL ± 1/32	THIS DRAWING IS THE PROPERTY OF STAINLESS CABLE & RAILING AND IS NOT TO BE REPRODUCED OR TRANSMITTED IN ANY FORM OR BY ANY MEANS, ELECTRONIC OR MECHANICAL, WITHOUT PERMISSION FROM SCAR		
DRAWN BY: PA		DATE: ■■	PROJECT: ■■	TITLE: STAINLESS SQUARE 42" RAILING	
				DWG NO. CV-SS0 42	SHEET 1 OF 1