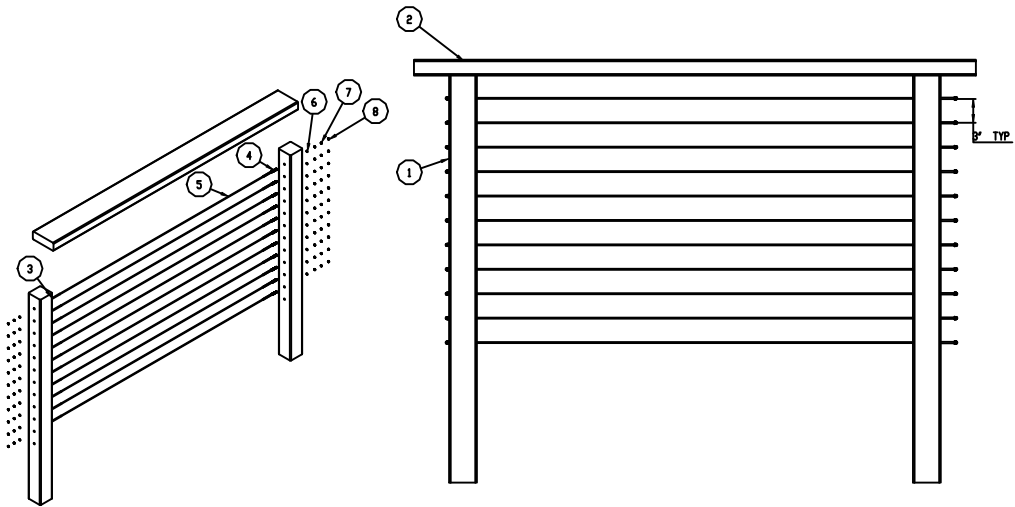
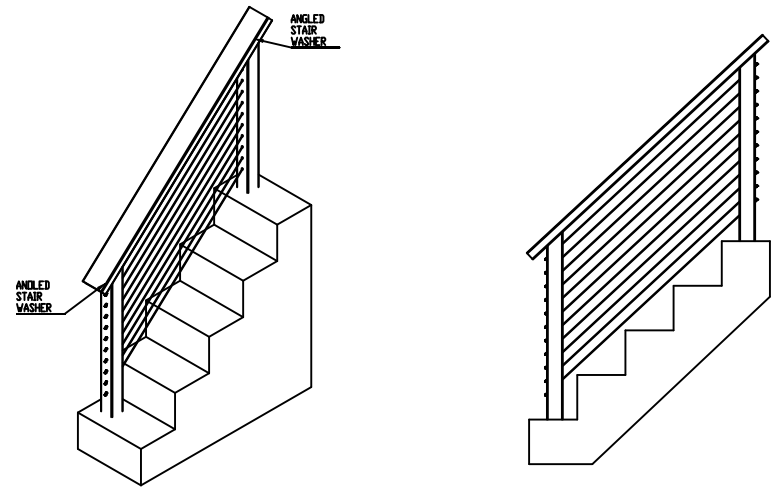


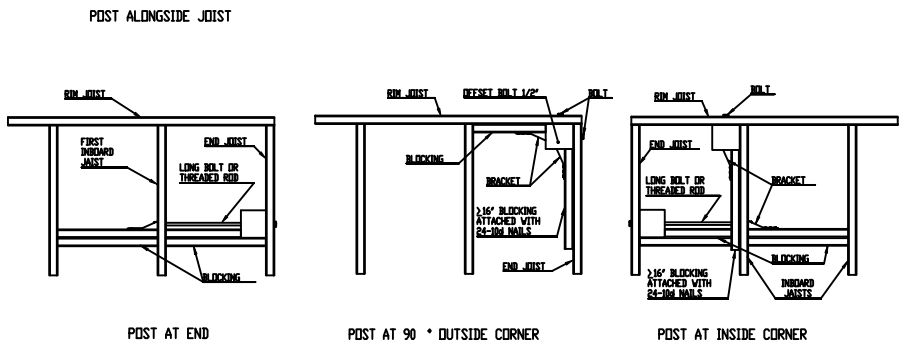
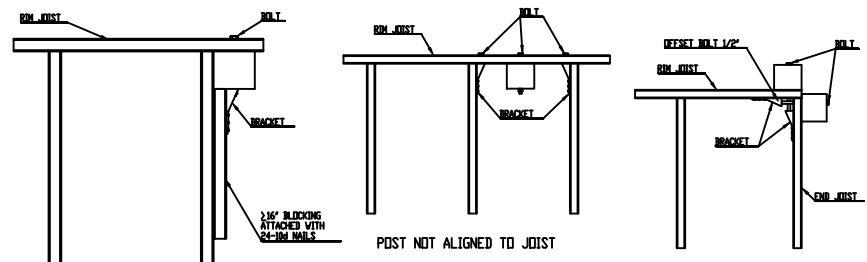
ITEM NO.	PART NUMBER	DESCRIPTION	QTY.
1	07-001-01	IPE TERMINAL WOOD POST	2
2	07-003-01	IPE TOP RAIL	1
3	01-0065-01 OR 01-0285-01	FIELD THREADED TERMINAL	11
4	01-0008-01 OR 01-0228-01	FIELD THREADED TENSIDER	11
5	Stainless Cable	1/8" or 3/16" DIA	11
6	Stainless Washer	STD	22
7	Stainless Hex Nut	STD	22
8	Stainless Acorn Nut	STD	22



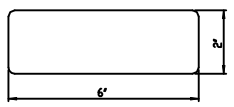
LEVEL 36" STANDARD GUARD RAILING



STAIRS 36" STANDARD GUARD RAILING

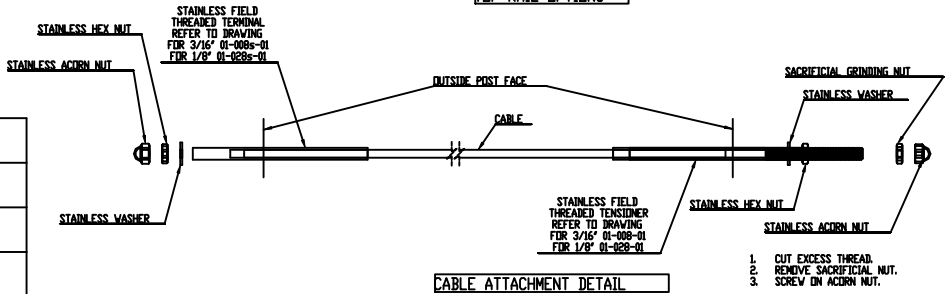


TYPICAL MOUNTING OPTIONS



WOOD  
DWG NO. 07-003-01

TOP RAIL OPTIONS



CABLE ATTACHMENT DETAIL

REV	DATE	DESCRIPTION OF CHANGE	EDH	BY	APPR
REVISIONS					
TOLERANCES X.XX ± .01 X.X ± .005 ANGULAR FRAGMENTAL ± 1/32		UNLESS OTHERWISE SPECIFIED ± .015 ± 1/32	THIS DRAWING IS THE PROPERTY OF STAINLESS CABLE & RAILING AND IS PROTECTED UNDER COPYRIGHT LAW AS APPLICABLE. IT MAY NOT BE REPRODUCED OR TRANSMITTED IN ANY FORM OR BY ANY MEANS WITHOUT PERMISSION FROM SCAR.		TITLE 1 CABLEVIEW ©WOOD 36" RAILING
DRAWN BY: PA		DATE: 11/11/11	PROJECT: 11111	DWG NO: CV- V 36	SHEET 1 OF 1