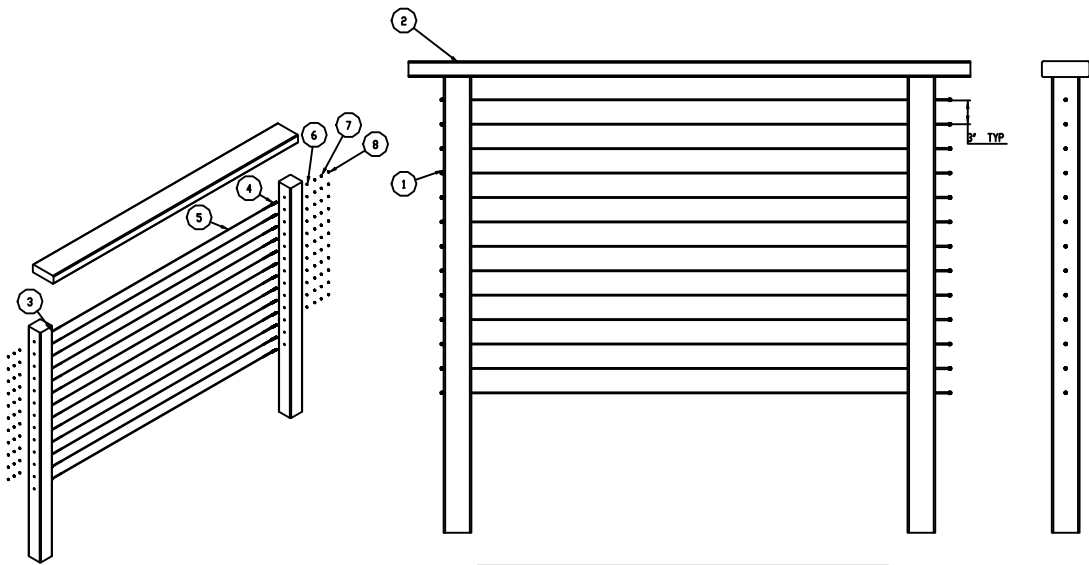
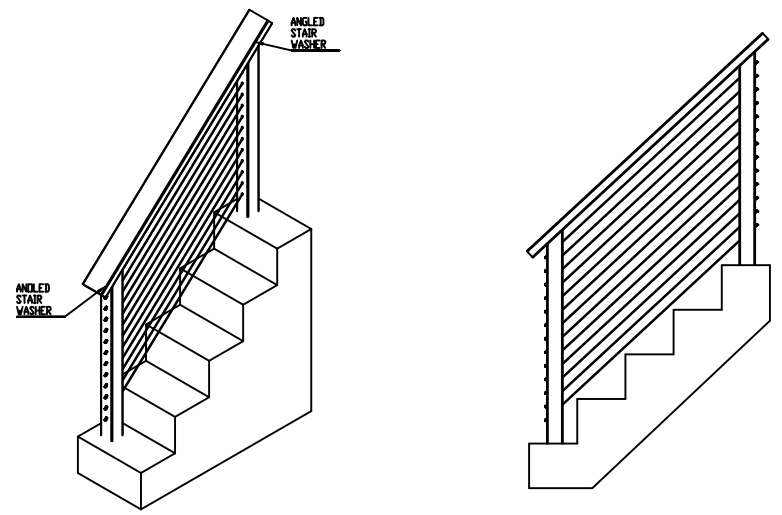


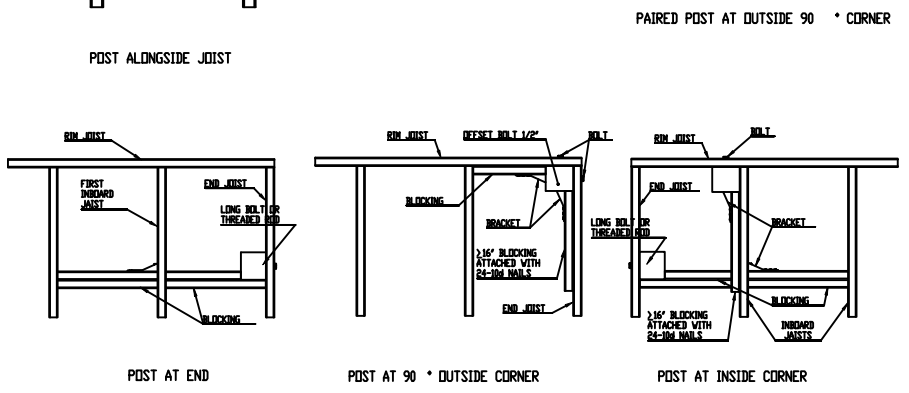
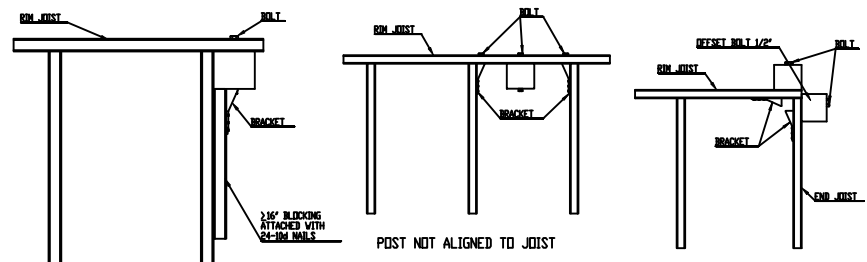
ITEM NO.	PART NUMBER	DESCRIPTION	QTY.
1	07-001-01	IPE TERMINAL WOOD POST	2
2	07-003-01	IPE TOP RAIL	1
3	01-0065-01 OR 01-0285-01	FIELD THREADED TERMINAL	13
4	01-0008-01 OR 01-0288-01	FIELD THREADED TENSIDER	13
5	Stainless Cable	1/8" or 3/16" DIA	13
6	Stainless Washer	STD	26
7	Stainless Hex Nut	STD	26
8	Stainless Acorn Nut	STD	26



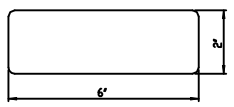
LEVEL 42" STANDARD GUARD RAILING



STAIRS 42" STANDARD GUARD RAILING

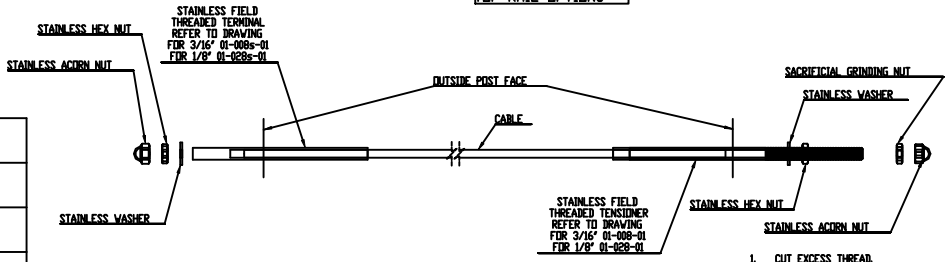


TYPICAL MOUNTING OPTIONS



WOOD  
DWG NO. 07-003-01

TOP RAIL OPTIONS



CABLE ATTACHMENT DETAIL

- CUT EXCESS THREAD.
- REMOVE SACRIFICIAL NUT.
- SCREW ON ACORN NUT.

REV	DATE	DESCRIPTION OF CHANGE	EDR	BY	APPR
REVISIONS					
TOLERANCES X.XX ± .01 X.X ± .005 ANGULAR FRONTAL ± 1/32		UNLESS OTHERWISE SPECIFIED	THIS DRAWING IS THE PROPERTY OF STAINLESS CABLE & RAILING AND IS PROTECTED UNDER COPYRIGHT LAW AS AN UNPUBLISHED WORK. IT MAY NOT BE REPRODUCED OR TRANSMITTED IN ANY FORM OR BY ANY MEANS WITHOUT PERMISSION FROM SCAR.		
DRAWN BY: PA		DATE: 11/11/11	PROJECT: 111	TITLE: CABLEVIEW © WOOD 42" RAILING	SHEET 1 OF 1
				DWG NO: CV- V 42	