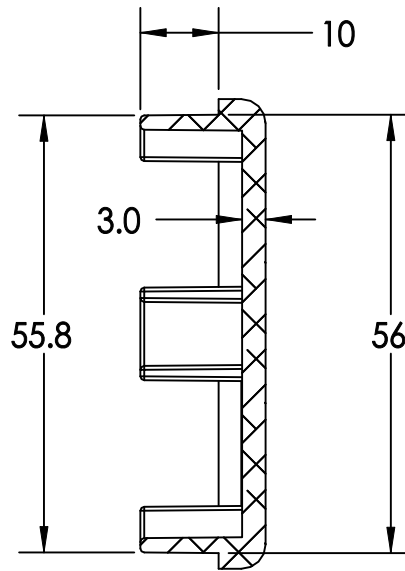
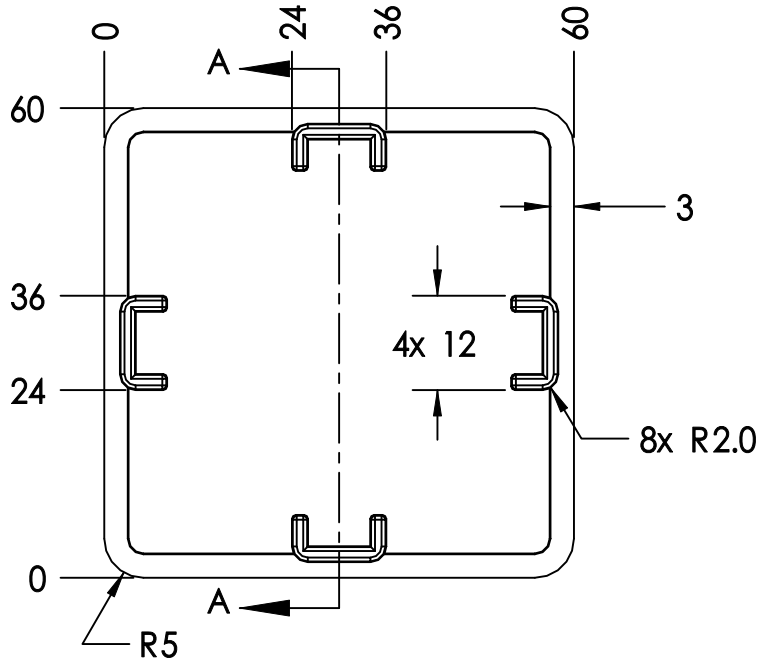
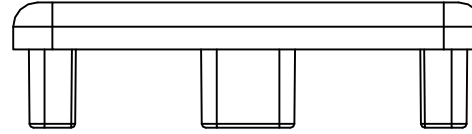
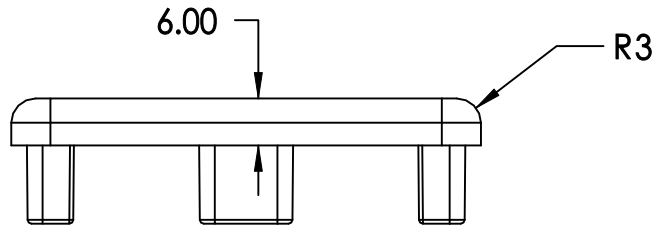
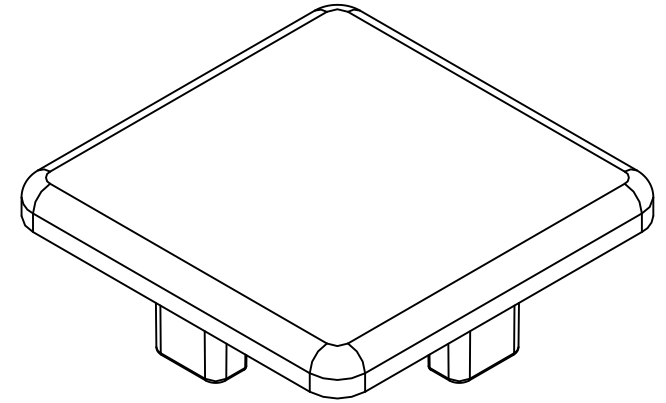


10-800-00

DWG. NO.



SECTION A-A



NOTE: 0.5° DRAFT FOR LEGS

**PROPRIETARY AND CONFIDENTIAL**  
 THE INFORMATION CONTAINED IN THIS DRAWING IS THE SOLE PROPERTY OF STAINLESS CABLE & RAILING, INC. ANY REPRODUCTION IN PART OR AS A WHOLE WITHOUT THE WRITTEN PERMISSION OF STAINLESS CABLE & RAILING, INC. IS PROHIBITED.

		UNLESS OTHERWISE SPECIFIED: DIMENSIONS ARE IN Millimeters	NAME	DATE
		TOLERANCES: x = 0.1 x.x = 0.1 x.xx = 0.01 x.xxx = 0.005	DRAWN	GM 04/27/08
		INTERPRET GEOMETRIC TOLERANCING PER:	CHECKED	
		MATERIAL 6082 T6 Alu	ENG APPR.	
NEXT ASSY	USED ON	FINISH	MFG APPR.	
APPLICATION		DO NOT SCALE DRAWING	Q.A.	
			COMMENTS: Powdercoating to meet or exceed AAMA2604 Salt Spray Resistance	

Stainless Cable & Railing, Inc. 888-686-7245 (RAIL)		
TITLE: <h1>Post Cap</h1>		
SIZE <b>A</b>	DWG. NO. <b>03-008-01</b>	REV <b>PR2</b>
SCALE: 1:1	WEIGHT:	SHEET 1 OF 1

5

4

3

2

1