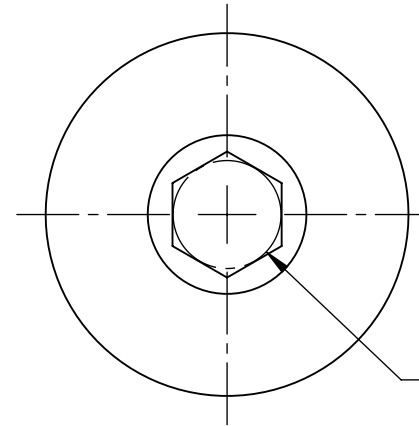
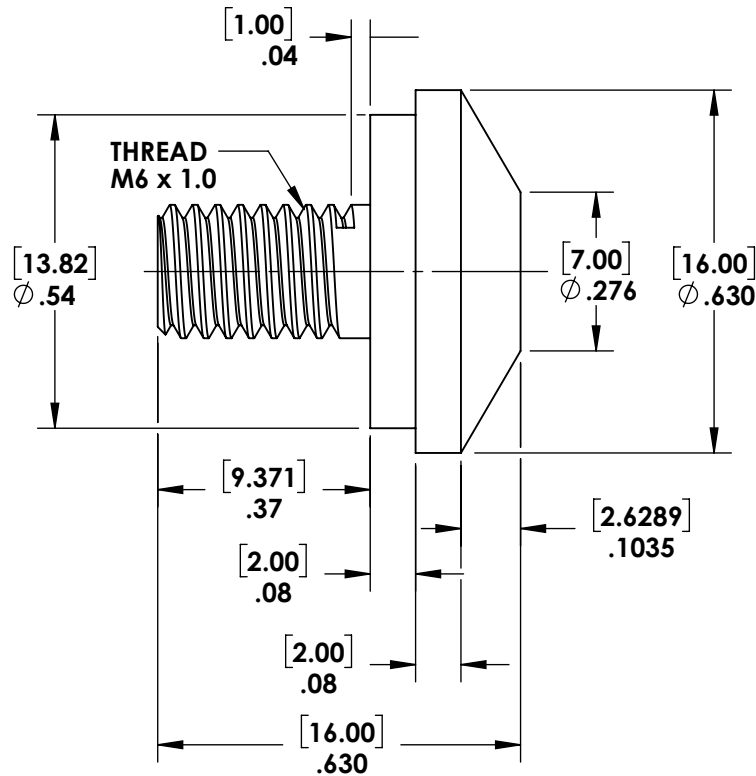
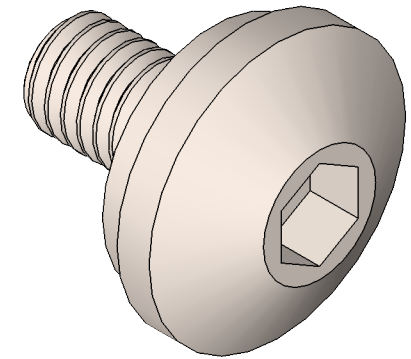


2

1

B

B



[4.8133]
 ϕ .1895
 MUST WORK WITH
 3/16" HEX. KEY
 DEPTH 3MM

A

A



PROPRIETARY AND CONFIDENTIAL

THE INFORMATION CONTAINED IN THIS DRAWING IS THE SOLE PROPERTY OF STAINLESS CABLE AND RAILING®. ANY REPRODUCTION IN PART OR AS A WHOLE WITHOUT THE WRITTEN PERMISSION OF STAINLESS CABLE AND RAILING® IS PROHIBITED.

NOTES: UNLESS OTHERWISE SPECIFIED

- DUAL DIMENSIONS SHOWN - INCHES [MM].
- MACHINED SURFACES TO BE 63uIN MAX.
- PART TO BE FREE OF BURRS AND SHARP EDGES.
- ALL MATERIAL TO BE CLEAN, DEGREASED AND FREE OF ALL IMPURITIES.
- ANY CHANGE MUST BE AUTHORIZED BY AN SC&R ENGINEER.

DIMENSIONS ARE IN INCHES
 FRACTIONAL ±
 ANGULAR: MACH ±
 TWO PLACE DECIMAL ±
 THREE PLACE DECIMAL ±

MATERIAL
 316 SS

FINISH

NAME DATE

DRAWN	SCR	09/29/17
ENG APPR.		
MFG APPR.		

COMMENTS:

TITLE:

**HEX. BUTTON BOLT /
 CABLE QUICK TERMINAL**

SIZE A	DWG. NO. 01-041-01B	REV 01
------------------	-------------------------------	------------------

SCALE: 2:1	WEIGHT:	SHEET 1 OF 1
------------	---------	--------------

2

1