

4

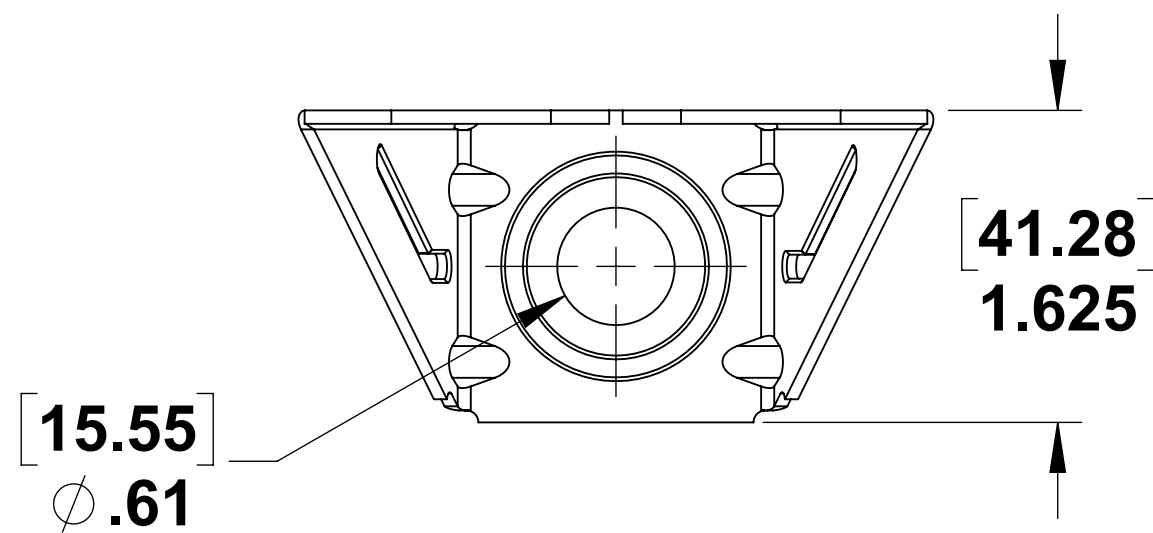
3

2

1

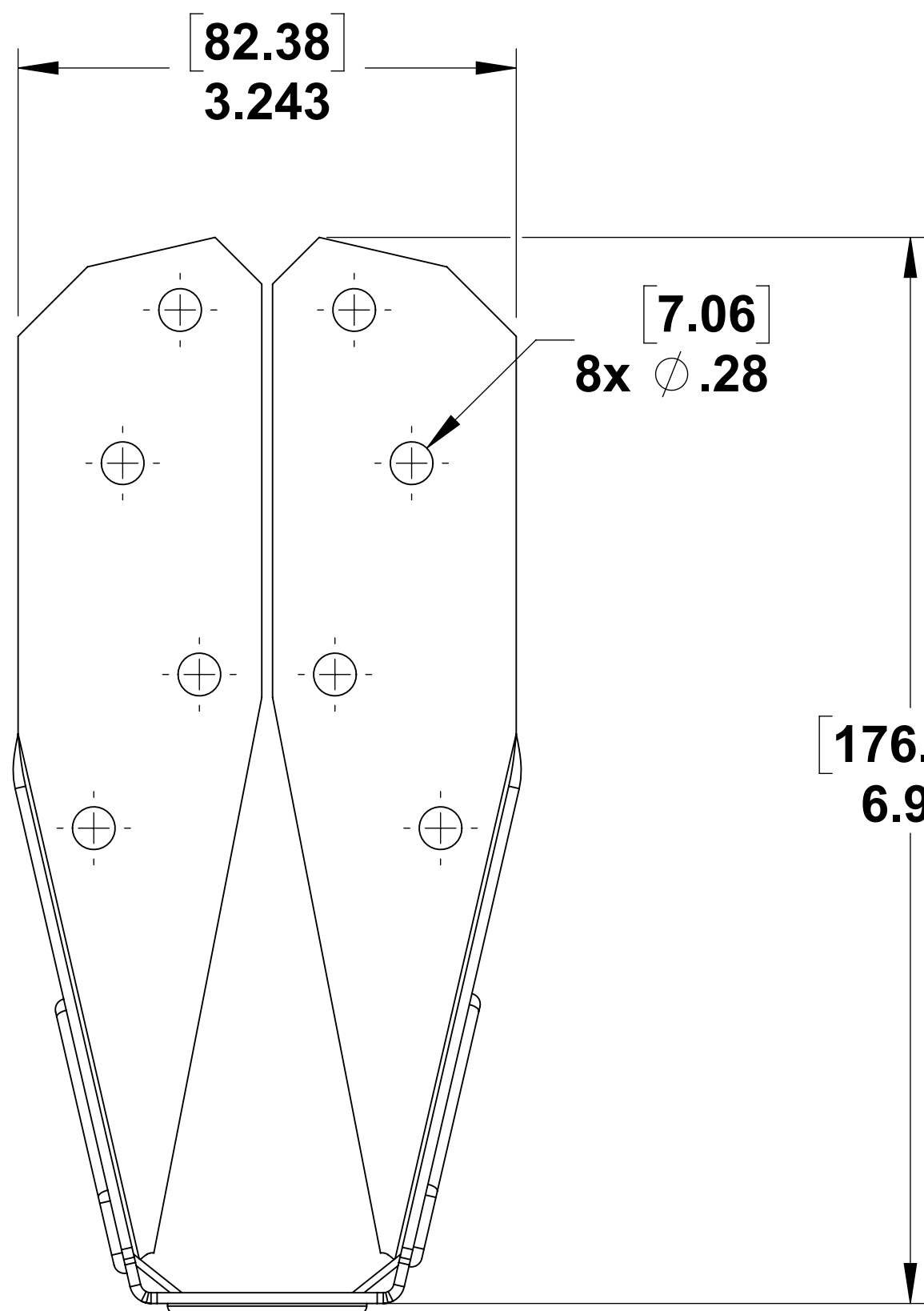
D

D

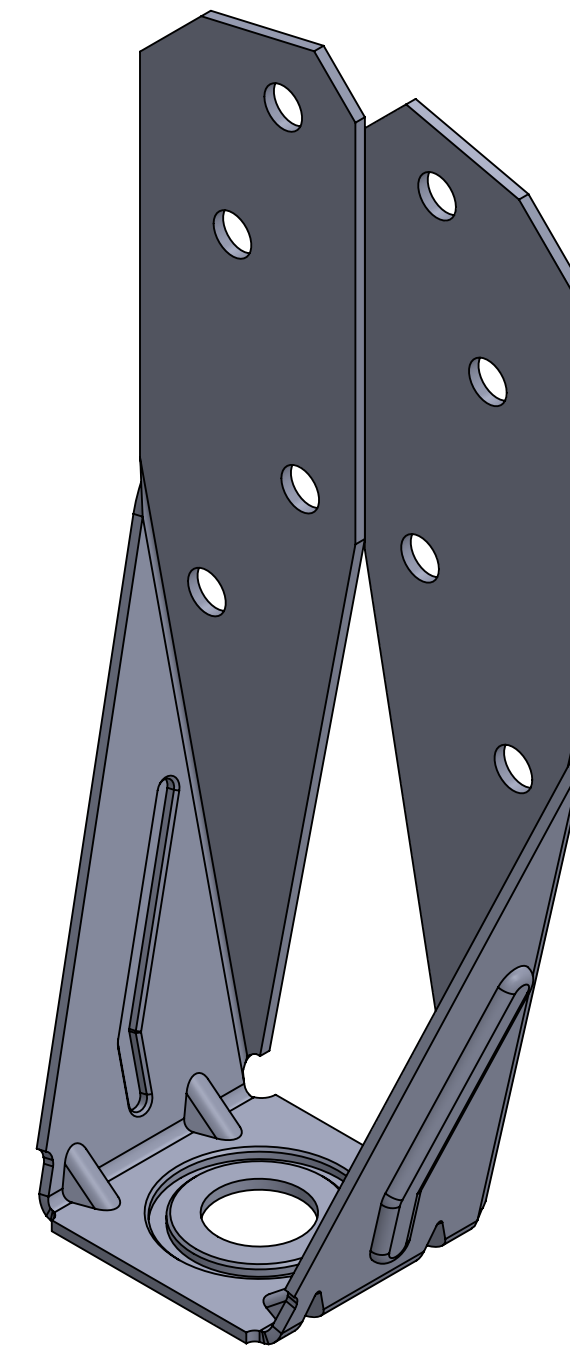


C

C

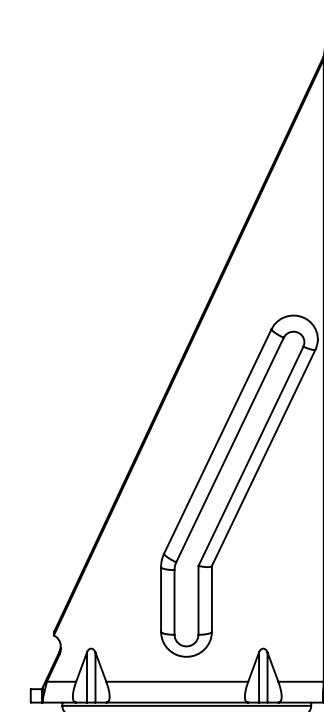
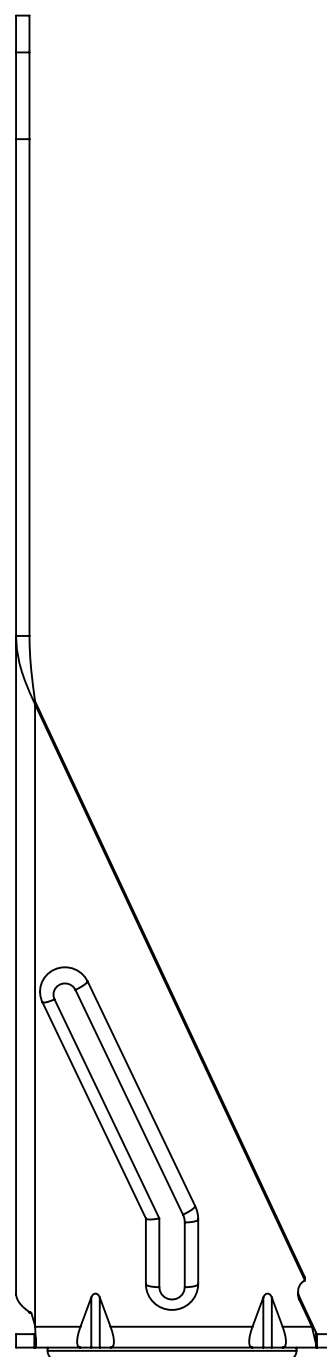


[1.778]
.070
THICK



B

B



A

A

4

3

2

1

SC&R
Stainless Cable
& Railing

PROPRIETARY AND CONFIDENTIAL

THE INFORMATION CONTAINED IN THIS DRAWING IS THE SOLE PROPERTY OF STAINLESS CABLE AND RAILING. ANY REPRODUCTION IN PART OR AS A WHOLE WITHOUT THE WRITTEN PERMISSION OF STAINLESS CABLE AND RAILING IS PROHIBITED.

NOTES: UNLESS OTHERWISE SPECIFIED	
1. DUAL DIMENSIONS SHOWN - INCHES [MM].	DIMENSIONS ARE IN INCHES
2. MACHINED SURFACES TO BE 63µIN MAX.	FRACTIONAL ±
3. PART TO BE FREE OF BURRS AND SHARP EDGES.	ANGULAR: MACH ±
4. ALL MATERIAL TO BE CLEAN, DEGREASED AND FREE OF ALL IMPURITIES.	TWO PLACE DECIMAL ±
5. ANY CHANGE MUST BE AUTHORIZED BY AN SC&R ENGINEER.	THREE PLACE DECIMAL ±
	MATERIAL
	DTT2Z - 14 GAUGE
	FINISH
	DTT2Z - ZMAX COATING

NAME	DATE
SCR	10/23/17
ENG APPR.	
MFG APPR.	
COMMENTS:	

TITLE:		
DTT2Z DECK POST CONNECTORS		
SIZE	DWG. NO.	REV
C	729288	01
SCALE: 2:3	WEIGHT:	SHEET 1 OF 1