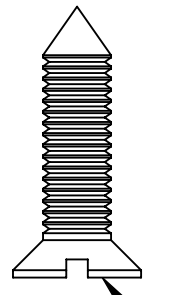
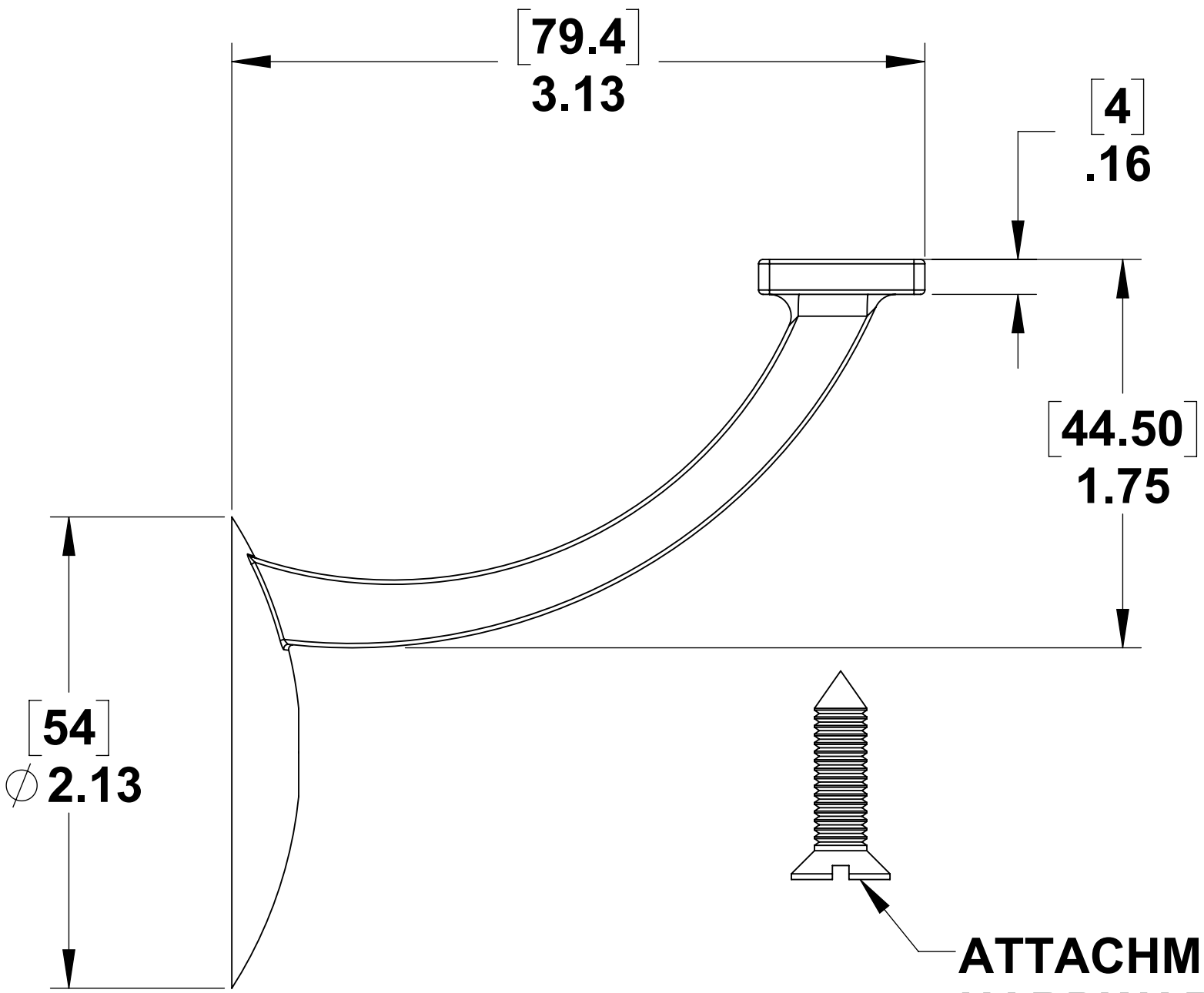


4

3

2

1



ATTACHMENT
HARDWARE
WILL VARY



ATTACHMENT
HARDWARE
WILL VARY

D

D

C

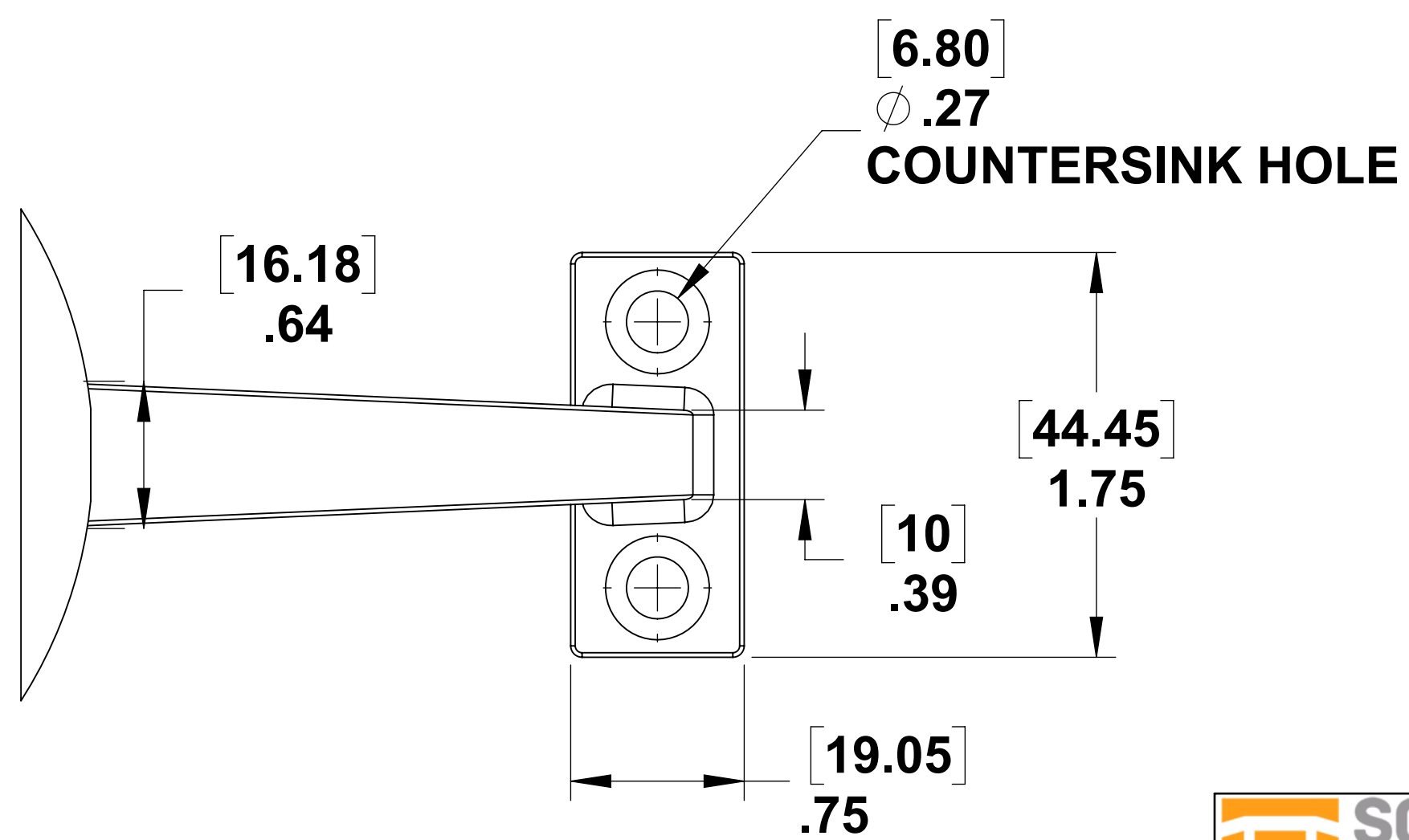
C

B

B

A

A



COUNTERSINK HOLE



PROPRIETARY AND CONFIDENTIAL
THE INFORMATION CONTAINED IN THIS DRAWING IS THE SOLE PROPERTY OF STAINLESS CABLE AND RAILING. ANY REPRODUCTION IN PART OR AS A WHOLE WITHOUT THE WRITTEN PERMISSION OF STAINLESS CABLE AND RAILING IS PROHIBITED.

NOTES: UNLESS OTHERWISE SPECIFIED		NAME	DATE
1. DUAL DIMENSIONS SHOWN - INCHES (MM).	DIMENSIONS ARE IN INCHES FRACTIONAL	DRAWN	SCR
2. MACHINED SURFACES TO BE 63μIN MAX.	ANGULAR: MACH ±	ENG APPR.	10/23/17
3. PART TO BE FREE OF BURRS AND SHARP EDGES.	TWO PLACE DECIMAL ±	MFG APPR.	
4. ALL MATERIAL TO BE CLEAN, DEGREASED AND FREE OF ALL IMPURITIES.	THREE PLACE DECIMAL ±	COMMENTS:	
5. ANY CHANGE MUST BE AUTHORIZED BY AN SC&R ENGINEER.	MATERIAL		
	316 SS		
	FINISH		

SIZE	DWG. NO.	REV
C	730215	01

TITLE:		
POST-TO-POST HANDRAIL BRACKET		
SCALE: 3:2	WEIGHT:	SHEET 1 OF 1

4

3

2

1