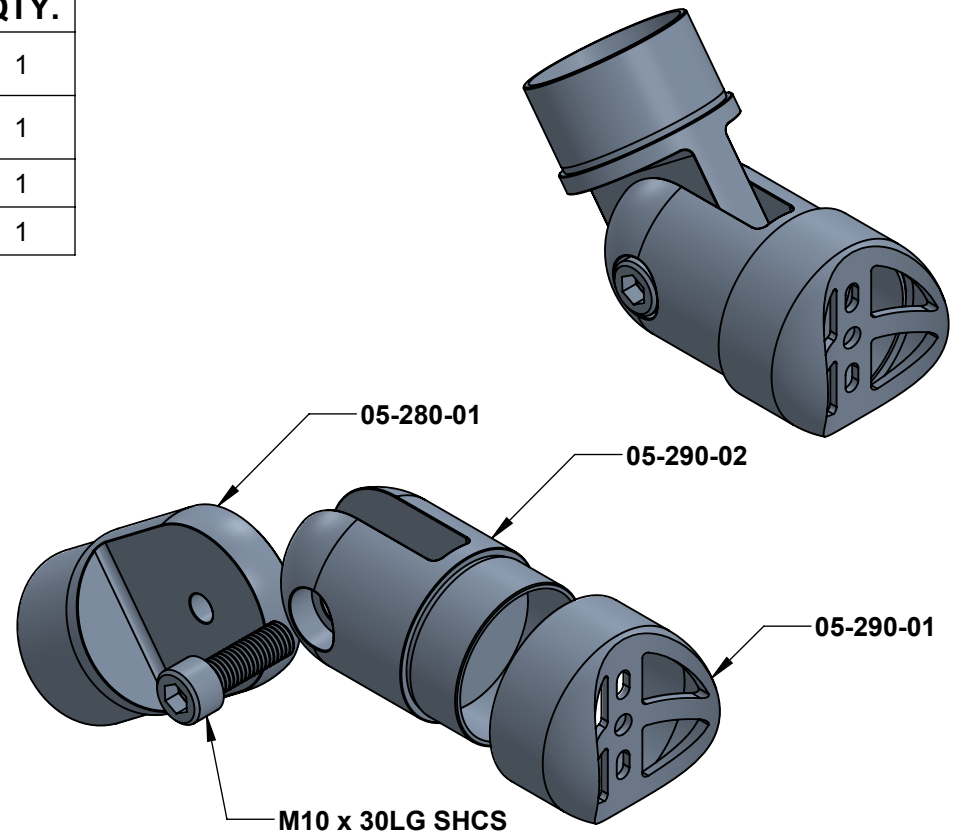
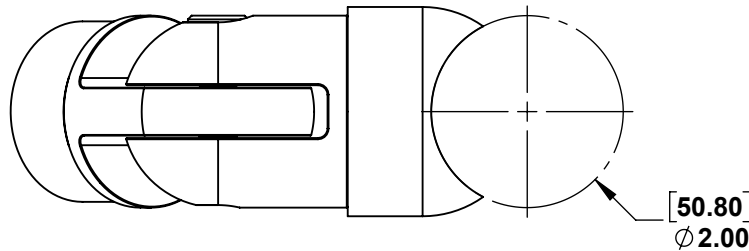
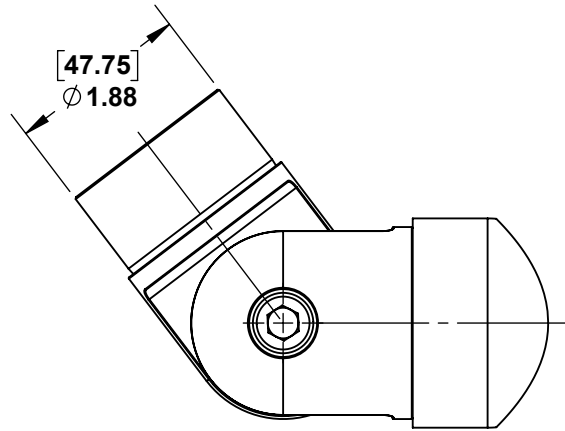


2

1

PART NUMBER	DESCRIPTION	QTY.
05-290-02	SLEEVE - STAINLESS STEEL 2" ADJUSTABLE ELBOW	1
05-290-01	CRADLE - STAINLESS 2" ADJUSTABLE TOP RAIL / POST CONNECTOR	1
05-280-01	BASE - STAINLESS 2" ADJUSTABLE ELBOW	1
M10 x 1.5 x 30LG SHCS	M10 x 1.5 x 30LG SHCS	1



B

B

A

A



PROPRIETARY AND CONFIDENTIAL

THE INFORMATION CONTAINED IN THIS DRAWING IS THE SOLE PROPERTY OF STAINLESS CABLE AND RAILING®. ANY REPRODUCTION IN PART OR AS A WHOLE WITHOUT THE WRITTEN PERMISSION OF STAINLESS CABLE AND RAILING® IS PROHIBITED.

NOTES: UNLESS OTHERWISE SPECIFIED

- DIMENSIONS SHOWN - INCHES [MM].
- MACHINED SURFACES TO BE 63uIN MAX.
- PART TO BE FREE OF BURRS AND SHARP EDGES.
- ALL MATERIAL TO BE CLEAN, DEGREASED AND FREE OF ALL IMPURITIES.
- ANY CHANGE MUST BE AUTHORIZED BY AN SC&R ENGINEER.

DIMENSIONS ARE IN INCHES  
 FRACTIONAL ±  
 ANGULAR: MACH ±  
 TWO PLACE DECIMAL ±  
 THREE PLACE DECIMAL ±

MATERIAL

FINISH

	NAME	DATE
DRAWN	SCR	02/28/18
ENG APPR.		
MFG APPR.		

COMMENTS:

TITLE:  
**STAINLESS STEEL DECKING RAIL SYSTEM TOP RAIL POST CONNECTOR ROUND**

SIZE	DWG. NO.	REV
<b>A</b>	<b>731212</b>	<b>01</b>
SCALE: 1:2	WEIGHT:	SHEET 1 OF 1

2

1