

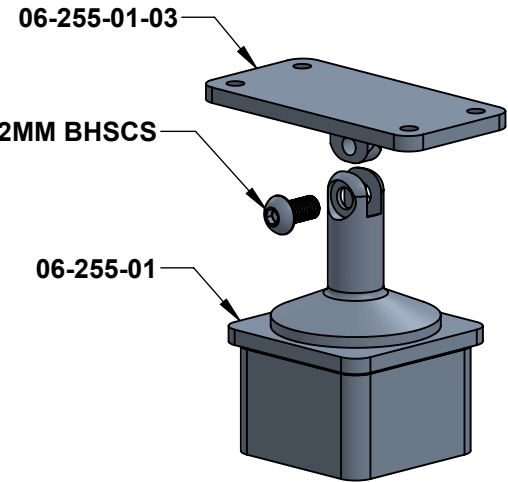
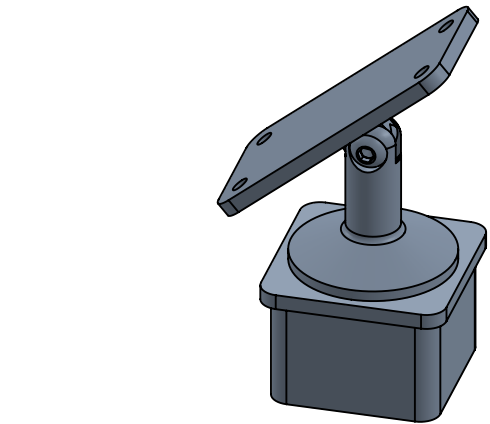
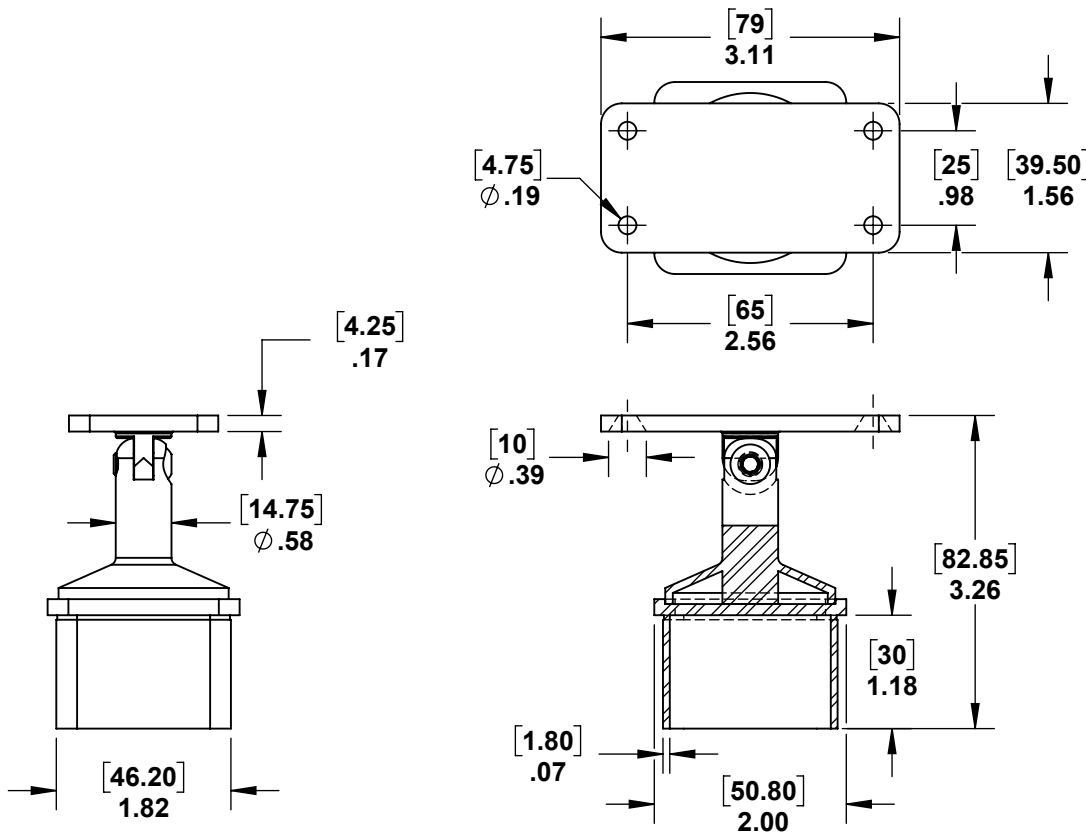
2

1

| PART NUMBER | DESCRIPTION | QTY. |
|----------------------|-----------------------------|------|
| 06-255-01 | CUP | 1 |
| 06-255-01_03 | BASE | 1 |
| M6 x 1 x 12 MM BHSCS | M6 BUTTON HEAD SOCKET SCREW | 1 |

B

B



A

A



PROPRIETARY AND CONFIDENTIAL

THE INFORMATION CONTAINED IN THIS DRAWING IS THE SOLE PROPERTY OF STAINLESS CABLE AND RAILING®. ANY REPRODUCTION IN PART OR AS A WHOLE WITHOUT THE WRITTEN PERMISSION OF STAINLESS CABLE AND RAILING® IS PROHIBITED.

NOTES: UNLESS OTHERWISE SPECIFIED

- DIMENSIONS SHOWN - INCHES [MM].
- MACHINED SURFACES TO BE 63µIN MAX.
- PART TO BE FREE OF BURRS AND SHARP EDGES.
- ALL MATERIAL TO BE CLEAN, DEGREASED AND FREE OF ALL IMPURITIES.
- ANY CHANGE MUST BE AUTHORIZED BY AN SC&R ENGINEER.

| | | |
|--------------------------|---|--|
| DIMENSIONS ARE IN INCHES | | |
| FRACTIONAL | ± | |
| ANGULAR: MACH | ± | |
| TWO PLACE DECIMAL | ± | |
| THREE PLACE DECIMAL | ± | |
| MATERIAL | | |
| FINISH | | |

| | NAME | DATE |
|-----------|------|----------|
| DRAWN | SCR | 03/27/18 |
| ENG APPR. | | |
| MFG APPR. | | |
| COMMENTS: | | |

| | | |
|---|---------------------------|------------------|
| TITLE: STAINLESS SQUARE ADJUSTABLE FLAT POST CAP-INTERMEDIATE | | |
| SIZE A | DWG. NO. 731298 | REV 01 |
| SCALE: 1:2 | WEIGHT: | SHEET 1 OF 1 |

2

1