

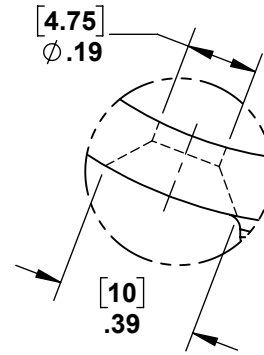
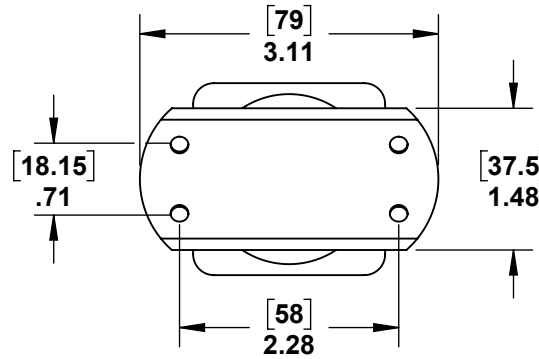
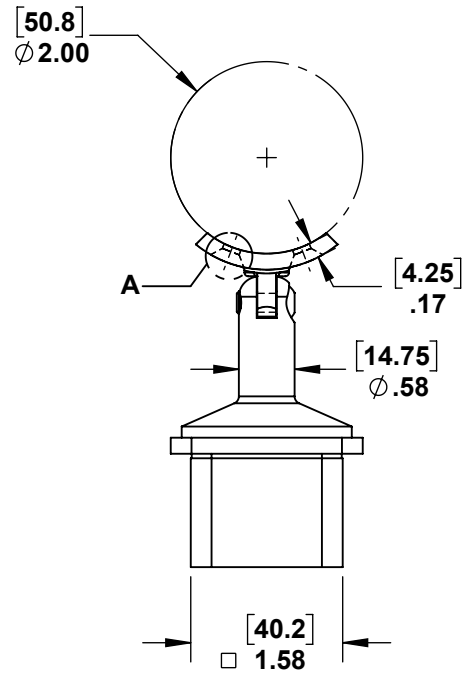
2

1

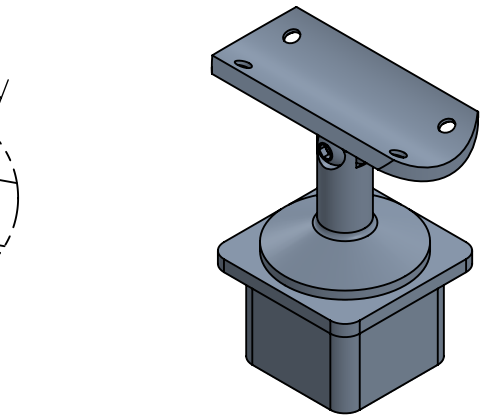
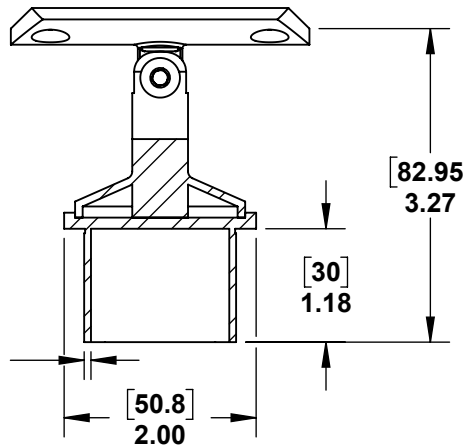
PART NUMBER	DESCRIPTION	QTY.
06-250-01	CUP	1
06-245-01_03	BASE	1
M6 x 1 x 12 MM BHSCS	M6 BUTTON HEAD SOCKET SCREW	1

B

B



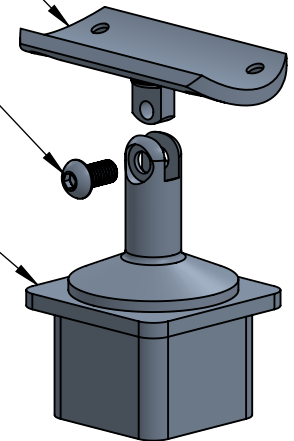
DETAIL A
SCALE 2 : 1



06-245-01-03

M6 x 1.0 x 12MM BHSCS

06-250-01



A

A



PROPRIETARY AND CONFIDENTIAL

THE INFORMATION CONTAINED IN THIS DRAWING IS THE SOLE PROPERTY OF STAINLESS CABLE AND RAILING®. ANY REPRODUCTION IN PART OR AS A WHOLE WITHOUT THE WRITTEN PERMISSION OF STAINLESS CABLE AND RAILING® IS PROHIBITED.

NOTES: UNLESS OTHERWISE SPECIFIED

- DIMENSIONS SHOWN - INCHES [MM].
- MACHINED SURFACES TO BE 63uIN MAX.
- PART TO BE FREE OF BURRS AND SHARP EDGES.
- ALL MATERIAL TO BE CLEAN, DEGREASED AND FREE OF ALL IMPURITIES.
- ANY CHANGE MUST BE AUTHORIZED BY AN SC&R ENGINEER.

DIMENSIONS ARE IN INCHES
 FRACTIONAL ±
 ANGULAR: MACH ±
 TWO PLACE DECIMAL ±
 THREE PLACE DECIMAL ±

MATERIAL
 316 SS

FINISH

	NAME	DATE
DRAWN	SCR	03/28/18
ENG APPR.		
MFG APPR.		

COMMENTS:

TITLE:
**STAINLESS SQUARE
 ADJUSTABLE RADIUS
 TERMINAL POST CAP**

SIZE	DWG. NO.	REV
A	731328	01

SCALE: 1:2	WEIGHT:	SHEET 1 OF 1

2

1