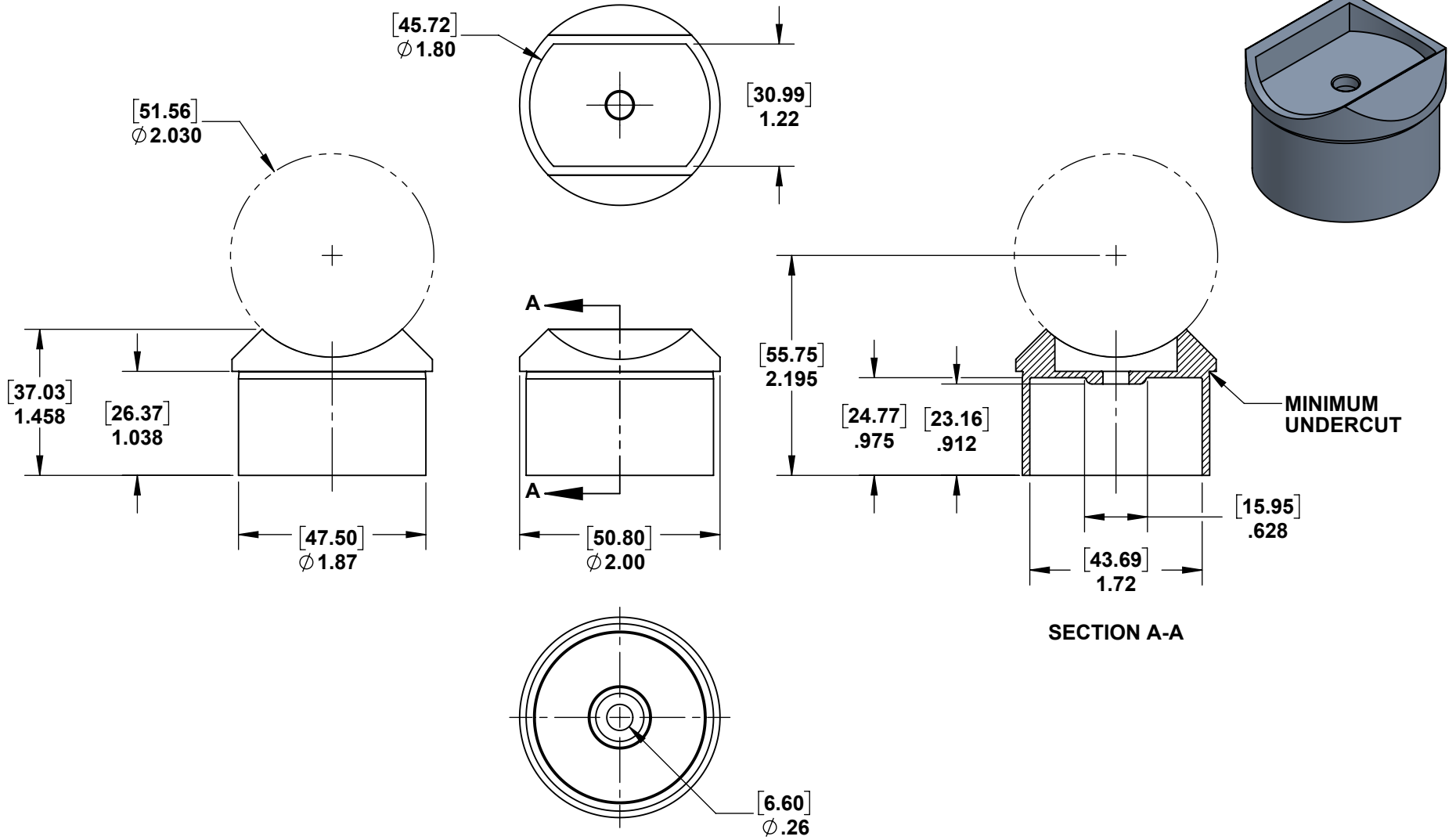


2

1

B

B



SECTION A-A

A

A



PROPRIETARY AND CONFIDENTIAL

THE INFORMATION CONTAINED IN THIS DRAWING IS THE SOLE PROPERTY OF STAINLESS CABLE AND RAILING®. ANY REPRODUCTION IN PART OR AS A WHOLE WITHOUT THE WRITTEN PERMISSION OF STAINLESS CABLE AND RAILING® IS PROHIBITED.

NOTES: UNLESS OTHERWISE SPECIFIED		NAME	DATE
1. DIMENSIONS SHOWN - INCHES [MM]. 2. MACHINED SURFACES TO BE 63µIN MAX. 3. PART TO BE FREE OF BURRS AND SHARP EDGES. 4. ALL MATERIAL TO BE CLEAN, DEGREASED AND FREE OF ALL IMPURITIES. 5. ANY CHANGE MUST BE AUTHORIZED BY AN SC&R ENGINEER.	DIMENSIONS ARE IN INCHES	DRAWN	SCR
	FRACTIONAL ±	ENG APPR.	
	ANGULAR: MACH ±	MFG APPR.	
	TWO PLACE DECIMAL ±	COMMENTS:	
	THREE PLACE DECIMAL ±		
MATERIAL	316 SS		
FINISH			
DO NOT SCALE DRAWING			

TITLE:		
<b>POST CAP TOP RAIL            ANGLED COLLAR MOUNT            FOR 2" ROUND STAINLESS            STEEL INTERMEDIATE POSTS</b>		
SIZE	DWG. NO.	REV
<b>A</b>	<b>731397</b>	<b>01</b>
SCALE: 2:3	WEIGHT:	SHEET 1 OF 1

2

1