

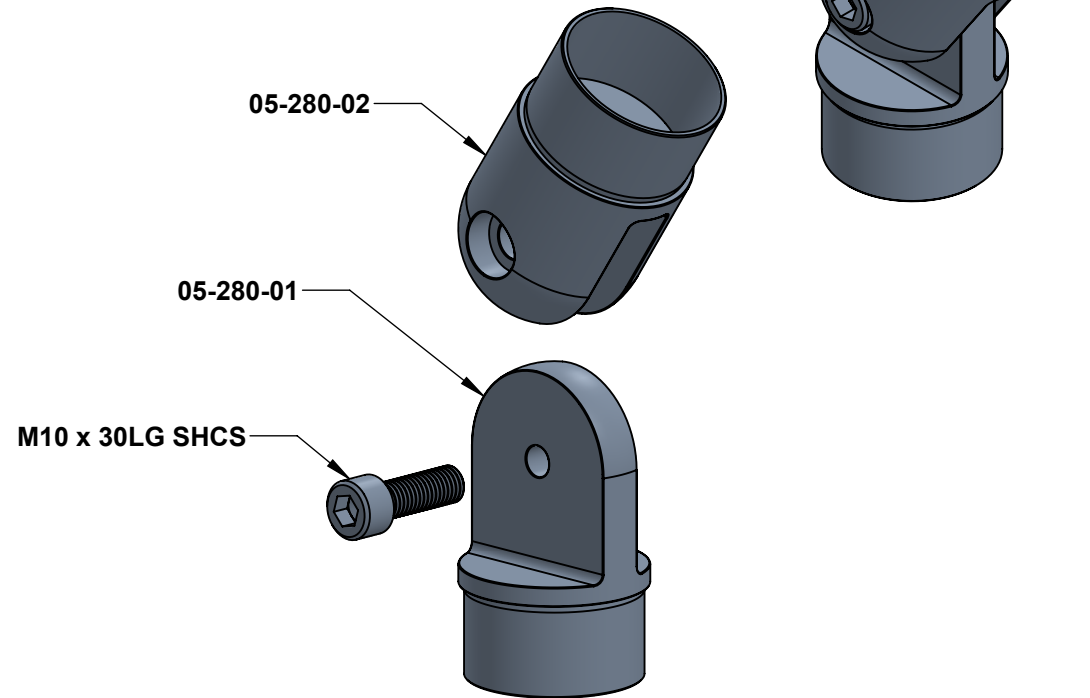
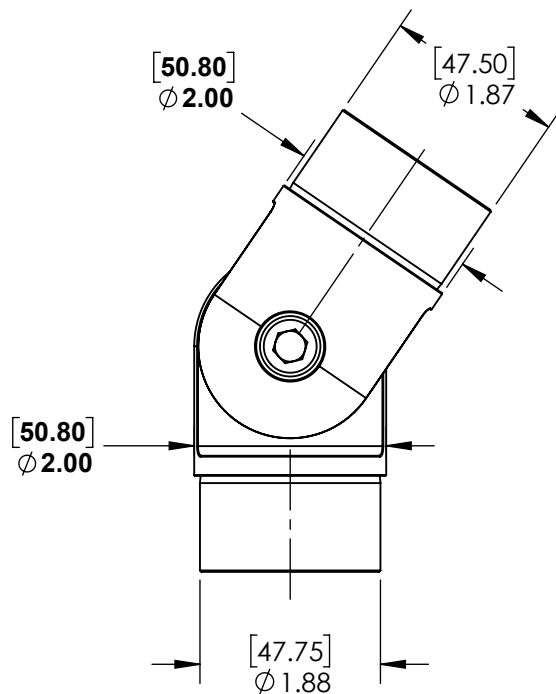
2

1

PART NUMBER	DESCRIPTION	QTY.
05-280-01	BASE - STAINLESS 2" ADJUSTABLE ELBOW	1
05-280-02	SLEEVE - STAINLESS 2" ADJUSTABLE ELBOW	1
M10 x 1.5 x 30LG SHCS	M10 x 1.5 x 30LG SHCS	1

B

B



A

A



PROPRIETARY AND CONFIDENTIAL

THE INFORMATION CONTAINED IN THIS DRAWING IS THE SOLE PROPERTY OF STAINLESS CABLE AND RAILING®. ANY REPRODUCTION IN PART OR AS A WHOLE WITHOUT THE WRITTEN PERMISSION OF STAINLESS CABLE AND RAILING® IS PROHIBITED.

NOTES: UNLESS OTHERWISE SPECIFIED

- DIMENSIONS SHOWN - INCHES [MM].
- MACHINED SURFACES TO BE 63µIN MAX.
- PART TO BE FREE OF BURRS AND SHARP EDGES.
- ALL MATERIAL TO BE CLEAN, DEGREASED AND FREE OF ALL IMPURITIES.
- ANY CHANGE MUST BE AUTHORIZED BY AN SC&R ENGINEER.

DIMENSIONS ARE IN INCHES  
 FRACTIONAL ±  
 ANGULAR: MACH ±  
 TWO PLACE DECIMAL ±  
 THREE PLACE DECIMAL ±

MATERIAL

FINISH

NAME DATE  
 SCR 02/28/18

DRAWN  
 ENG APPR.  
 MFG APPR.

COMMENTS:

TITLE:  
**ADJUSTABLE ELBOW JOINT FOR 2" ROUND STAINLESS STEEL RAILING SYSTEM**

SIZE DWG. NO. REV  
**A 731427 01**

SCALE: 1:2 WEIGHT: SHEET 1 OF 1

2

1