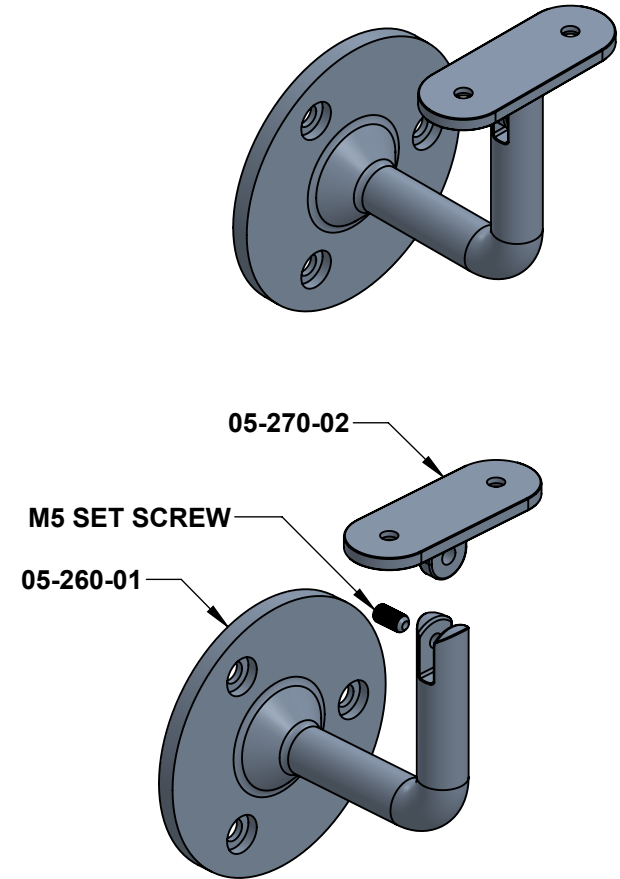
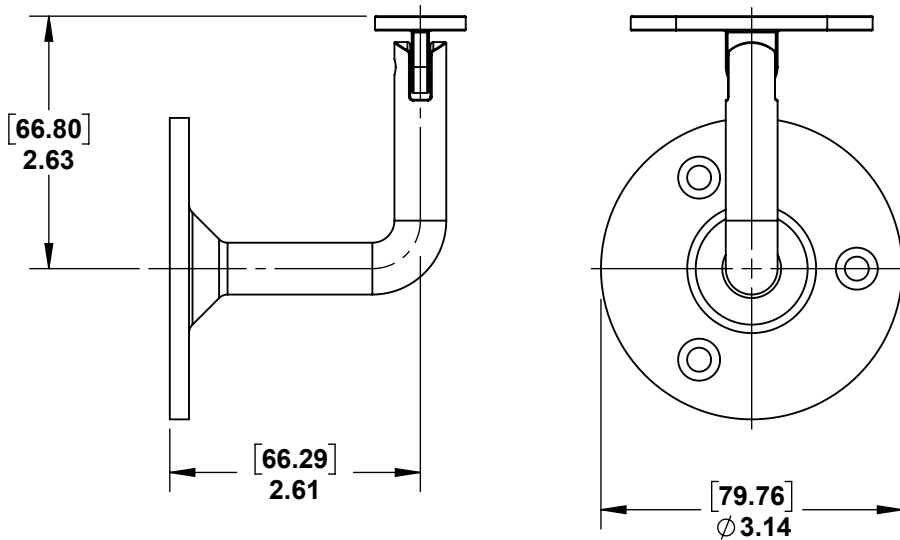


2

1

PART NUMBER	DESCRIPTION	QTY.
05-260-01	BASE - STAINLESS WALL MOUNT	1
05-270-02	STAINLESS 2" FLAT SADDLE (WALL MOUNT)	1
M5 SET SCREW	M5 x 0.8 x 10LG SET SCREW	1



B

B

A

A



PROPRIETARY AND CONFIDENTIAL

THE INFORMATION CONTAINED IN THIS DRAWING IS THE SOLE PROPERTY OF STAINLESS CABLE AND RAILING®. ANY REPRODUCTION IN PART OR AS A WHOLE WITHOUT THE WRITTEN PERMISSION OF STAINLESS CABLE AND RAILING® IS PROHIBITED.

NOTES: UNLESS OTHERWISE SPECIFIED

1. DIMENSIONS SHOWN - INCHES [MM].
2. MACHINED SURFACES TO BE 63µIN MAX.
3. PART TO BE FREE OF BURRS AND SHARP EDGES.
4. ALL MATERIAL TO BE CLEAN, DEGREASED AND FREE OF ALL IMPURITIES.
5. ANY CHANGE MUST BE AUTHORIZED BY AN SC&R ENGINEER.

DIMENSIONS ARE IN INCHES
 FRACTIONAL ±
 ANGULAR: MACH ±
 TWO PLACE DECIMAL ±
 THREE PLACE DECIMAL ±

MATERIAL

FINISH

	NAME	DATE
DRAWN	SCR	03/27/18
ENG APPR.		
MFG APPR.		
COMMENTS:		

TITLE: FLAT TOP RAIL ADJUSTABLE ANGLE WALL MOUNT		
SIZE A	DWG. NO. 731465	REV 01
SCALE: 1:2	WEIGHT:	SHEET 1 OF 1

2

1