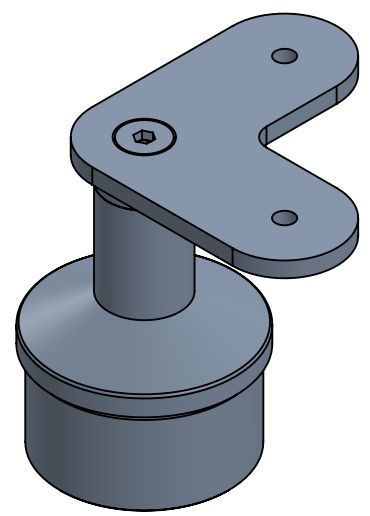
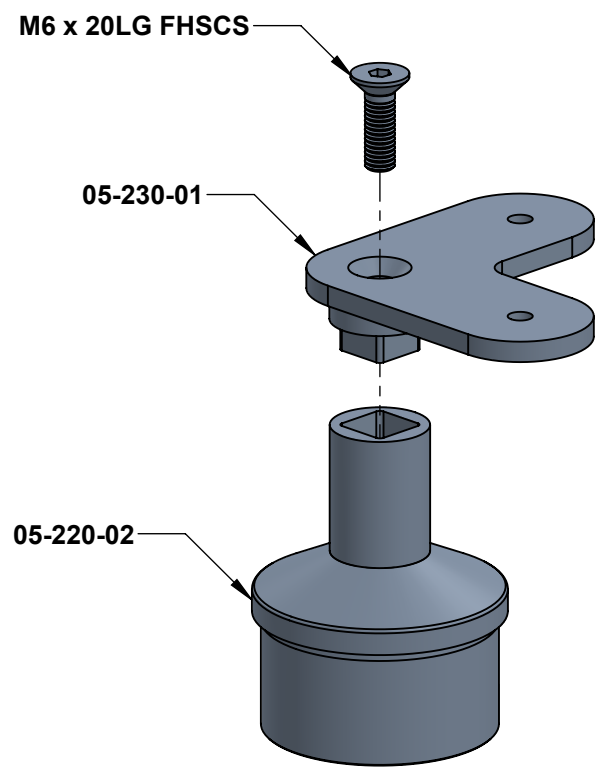
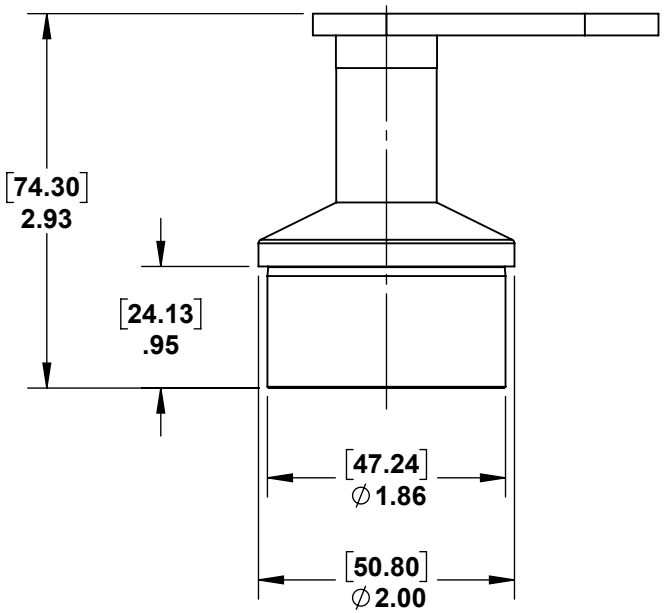


2

1

PART NUMBER	DESCRIPTION	QTY.
05-220-02	CUP - STAINLESS 2" 90° POST CAP (RADIUS SADDLE)	1
05-230-01	BASE - STAINLESS 2" 90° POST CAP	1
M6 x 1.0 x 20LG FHSCS	M6 x 1.0 x 20LG FHSCS	1



B

B

A

A



PROPRIETARY AND CONFIDENTIAL

THE INFORMATION CONTAINED IN THIS DRAWING IS THE SOLE PROPERTY OF STAINLESS CABLE AND RAILING®. ANY REPRODUCTION IN PART OR AS A WHOLE WITHOUT THE WRITTEN PERMISSION OF STAINLESS CABLE AND RAILING® IS PROHIBITED.

NOTES: UNLESS OTHERWISE SPECIFIED		NAME	DATE
1. DIMENSIONS SHOWN - INCHES [MM]. 2. MACHINED SURFACES TO BE 63µIN MAX. 3. PART TO BE FREE OF BURRS AND SHARP EDGES. 4. ALL MATERIAL TO BE CLEAN, DEGREASED AND FREE OF ALL IMPURITIES. 5. ANY CHANGE MUST BE AUTHORIZED BY AN SC&R ENGINEER.	DIMENSIONS ARE IN INCHES	SCR	02/28/18
	FRACTIONAL ±		
	ANGULAR: MACH ±		
	TWO PLACE DECIMAL ±		
	THREE PLACE DECIMAL ±		
MATERIAL	COMMENTS:		
FINISH			

TITLE:		
POST CAP FLAT TOP RAIL 90° MOUNT FOR 2" ROUND SS INTERMEDIATE POSTS		
SIZE	DWG. NO.	REV
A	731489	01
SCALE: 2:3	WEIGHT:	SHEET 1 OF 1

2

1