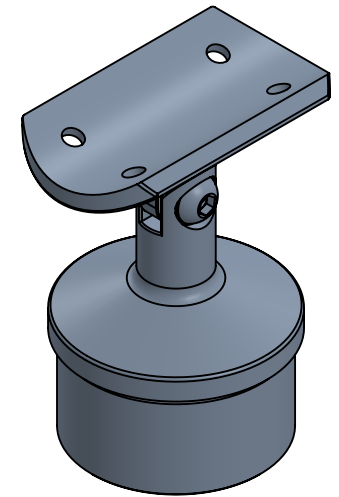


2

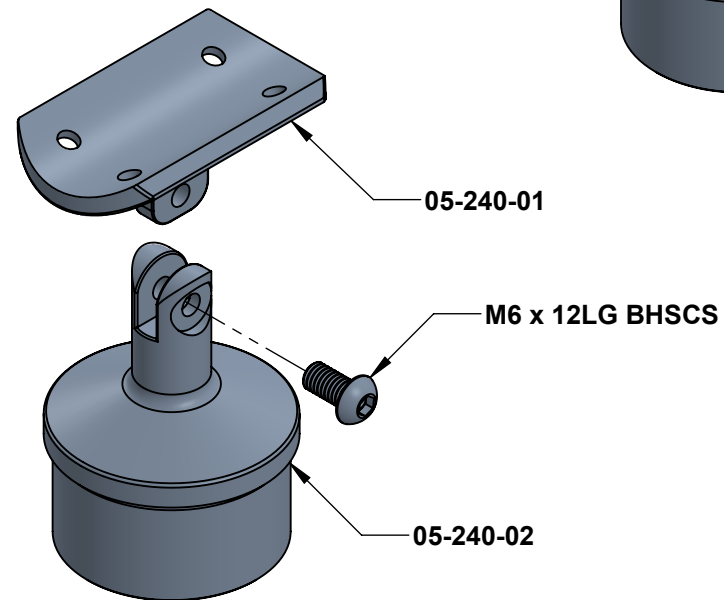
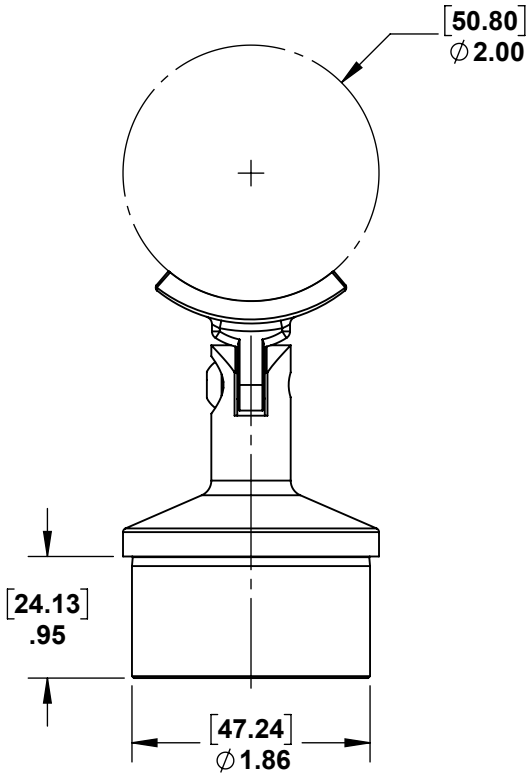
1

PART NUMBER	DESCRIPTION	QTY.
05-240-01	BASE - STAINLESS 2" POST CAP ADJUSTABLE (RADIUS SADDLE)	1
05-240-02	CUP - STAINLESS 2" POST CAP ADJUSTABLE (RADIUS SADDLE)	1
M6 x 1.0 x 12LG BHSCS	M6 x 1.0 x 12LG BUTTON HEAD SOCKET SCREW	1



B

B



A

A



PROPRIETARY AND CONFIDENTIAL

THE INFORMATION CONTAINED IN THIS DRAWING IS THE SOLE PROPERTY OF STAINLESS CABLE AND RAILING®. ANY REPRODUCTION IN PART OR AS A WHOLE WITHOUT THE WRITTEN PERMISSION OF STAINLESS CABLE AND RAILING® IS PROHIBITED.

NOTES: UNLESS OTHERWISE SPECIFIED		NAME	DATE
1. DIMENSIONS SHOWN - INCHES [MM]. 2. MACHINED SURFACES TO BE 63µIN MAX. 3. PART TO BE FREE OF BURRS AND SHARP EDGES. 4. ALL MATERIAL TO BE CLEAN, DEGREASED AND FREE OF ALL IMPURITIES. 5. ANY CHANGE MUST BE AUTHORIZED BY AN SC&R ENGINEER.	DIMENSIONS ARE IN INCHES	SCR	02/28/18
	FRACTIONAL ±		
	ANGULAR: MACH ±		
	TWO PLACE DECIMAL ±		
	THREE PLACE DECIMAL ±		
MATERIAL	COMMENTS:		
FINISH			

TITLE: POST CAP TOP RAIL ADJUSTABLE ANGLE MOUNT FOR 2" ROUND STAINLESS STEEL INTERMEDIATE POSTS		
SIZE	DWG. NO.	REV
A	731519	01
SCALE: 2:3	WEIGHT:	SHEET 1 OF 1

2

1