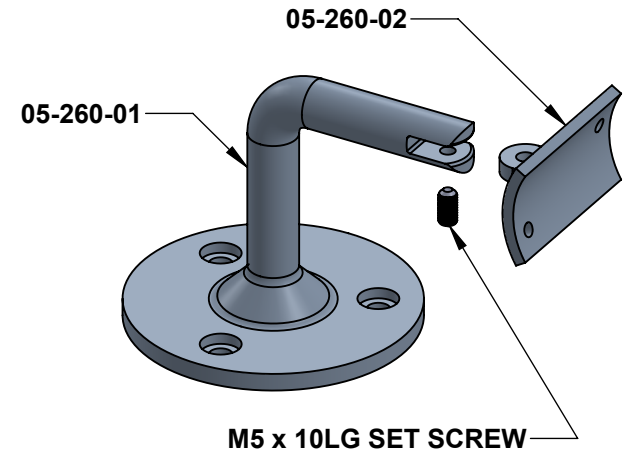
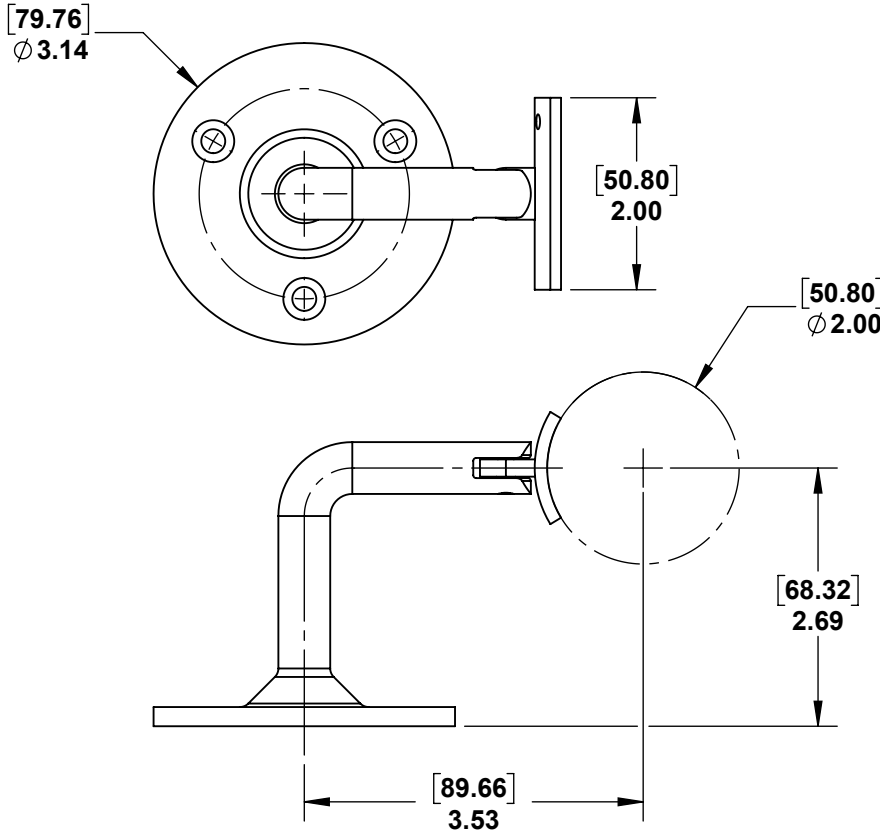
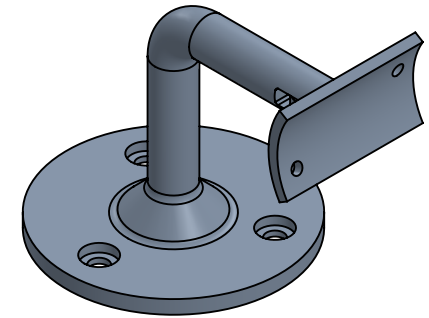


2

1

PART NUMBER	DESCRIPTION	QTY.
05-260-01	BASE - STAINLESS WALL MOUNT	1
05-260-02	STAINLESS 2" RADIUS SADDLE (WALL MOUNT)	1
M5 x 10LG SET SCREW	M5 x 0.8 x 10MM SET SCREW	1



B

B

A

A



PROPRIETARY AND CONFIDENTIAL

THE INFORMATION CONTAINED IN THIS DRAWING IS THE SOLE PROPERTY OF STAINLESS CABLE AND RAILING®. ANY REPRODUCTION IN PART OR AS A WHOLE WITHOUT THE WRITTEN PERMISSION OF STAINLESS CABLE AND RAILING® IS PROHIBITED.

NOTES: UNLESS OTHERWISE SPECIFIED

- DIMENSIONS SHOWN - INCHES [MM].
- MACHINED SURFACES TO BE 63µIN MAX.
- PART TO BE FREE OF BURRS AND SHARP EDGES.
- ALL MATERIAL TO BE CLEAN, DEGREASED AND FREE OF ALL IMPURITIES.
- ANY CHANGE MUST BE AUTHORIZED BY AN SC&R ENGINEER.

DIMENSIONS ARE IN INCHES  
 FRACTIONAL ±  
 ANGULAR: MACH ±  
 TWO PLACE DECIMAL ±  
 THREE PLACE DECIMAL ±

MATERIAL

FINISH

DO NOT SCALE DRAWING

	NAME	DATE
DRAWN	SCR	02/28/18
ENG APPR.		
MFG APPR.		
COMMENTS:		

TITLE: **2" ROUND TOP RAIL  
 ADJUSTABLE ANGLE  
 WALL MOUNT SADDLE**

SIZE	DWG. NO.	REV
<b>A</b>	<b>731557</b>	<b>01</b>
SCALE: 1:2	WEIGHT:	SHEET 1 OF 1

2

1