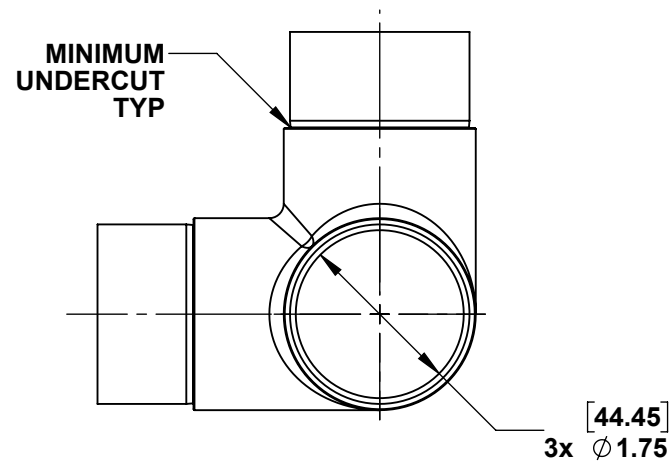
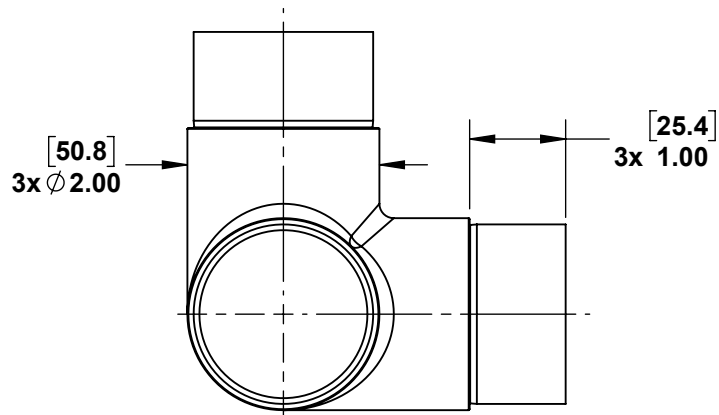
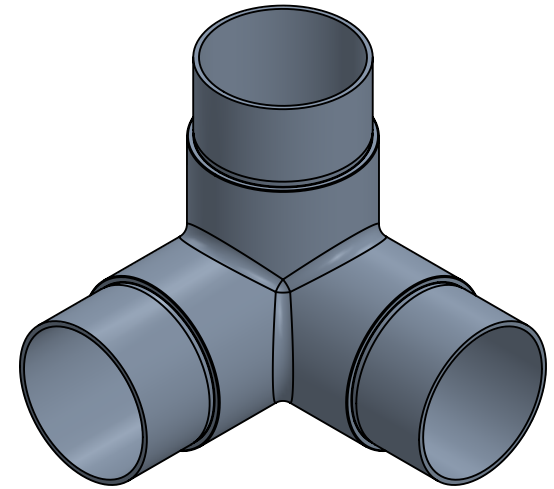
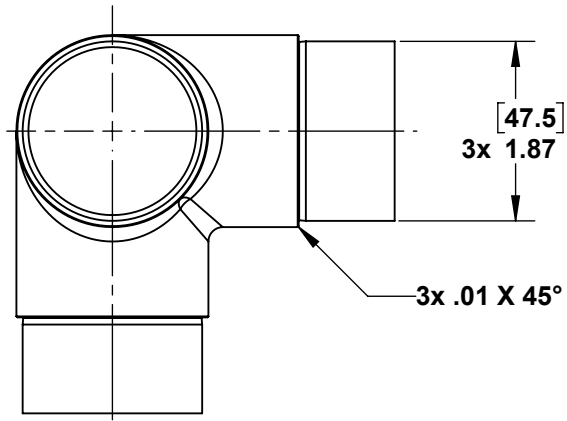


B

B



A

A



PROPRIETARY AND CONFIDENTIAL

THE INFORMATION CONTAINED IN THIS DRAWING IS THE SOLE PROPERTY OF STAINLESS CABLE AND RAILING®. ANY REPRODUCTION IN PART OR AS A WHOLE WITHOUT THE WRITTEN PERMISSION OF STAINLESS CABLE AND RAILING® IS PROHIBITED.

NOTES: UNLESS OTHERWISE SPECIFIED

1. DIMENSIONS SHOWN - INCHES [MM].
2. MACHINED SURFACES TO BE 63µIN MAX.
3. PART TO BE FREE OF BURRS AND SHARP EDGES.
4. ALL MATERIAL TO BE CLEAN, DEGREASED AND FREE OF ALL IMPURITIES.
5. ANY CHANGE MUST BE AUTHORIZED BY AN SC&R ENGINEER.

DIMENSIONS ARE IN INCHES  
FRACTIONAL ±  
ANGULAR: MACH ±  
TWO PLACE DECIMAL ±  
THREE PLACE DECIMAL ±

MATERIAL  
316 SS

FINISH

NAME DATE

SCR 02/28/18

DRAWN

ENG APPR.

MFG APPR.

COMMENTS:

TITLE:

**3-WAY ELBOW CORNER  
POST JOINT FOR 2"  
ROUND SS INTERMEDIATE  
POSTS & TOP RAIL**

SIZE

**A**

DWG. NO.

**731601**

REV

**01**

SCALE: 1:2

WEIGHT:

SHEET 1 OF 1

2

1