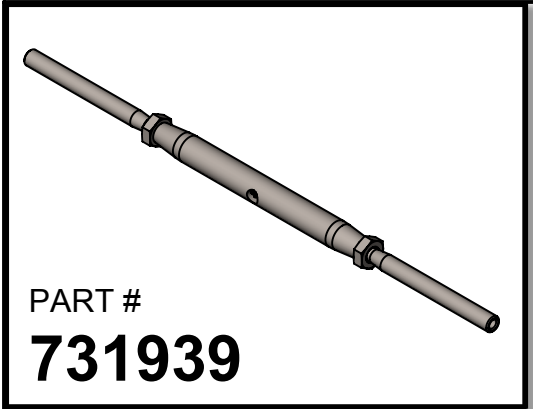
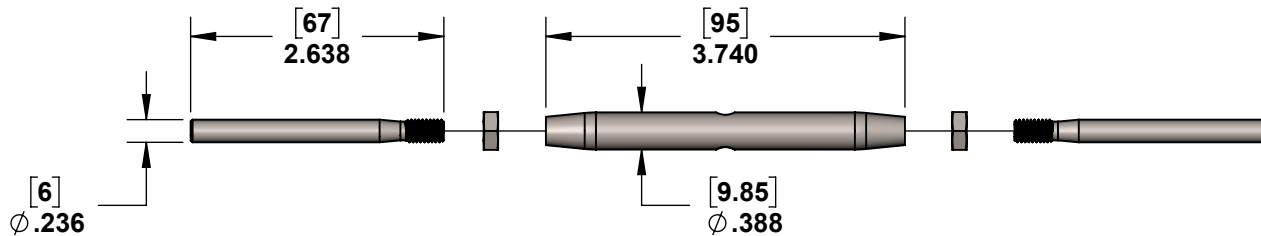
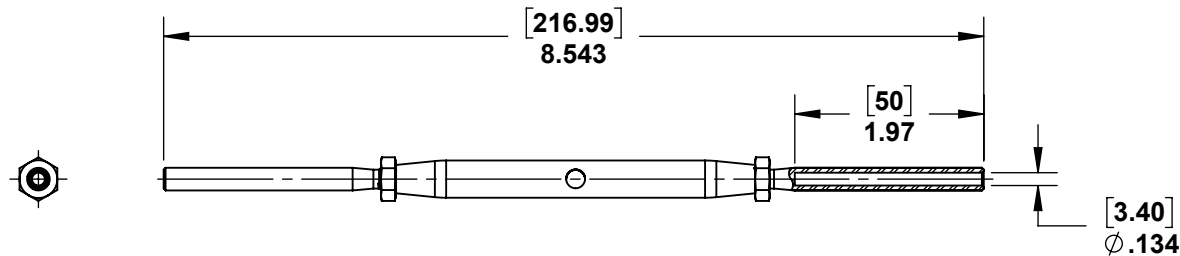
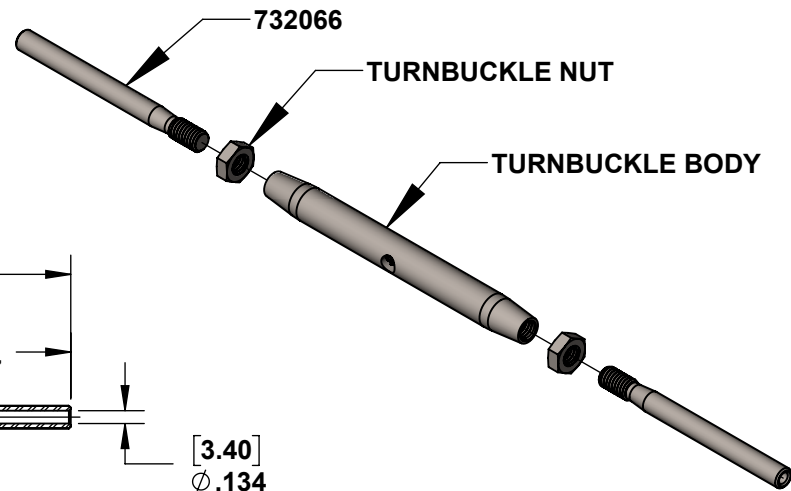


2

1



PIECES INCLUDED:	QTY.
732066 - FIELD SWAGED THREADED TERMINAL 1/8"	2
TURNBUCKLE NUT 1/8"	2
TURNBUCKLE BODY 1/8"	1



PROPRIETARY AND CONFIDENTIAL

THE INFORMATION CONTAINED IN THIS DRAWING IS THE SOLE PROPERTY OF STAINLESS CABLE AND RAILING®. ANY REPRODUCTION IN PART OR AS A WHOLE WITHOUT THE WRITTEN PERMISSION OF STAINLESS CABLE AND RAILING® IS PROHIBITED.

NOTES: UNLESS OTHERWISE SPECIFIED

- DUAL DIMENSIONS SHOWN - INCHES [MM].
- MACHINED SURFACES TO BE 63uIN MAX.
- PART TO BE FREE OF BURRS AND SHARP EDGES.
- ALL MATERIAL TO BE CLEAN, DEGREASED AND FREE OF ALL IMPURITIES.
- ANY CHANGE MUST BE AUTHORIZED BY AN SC&R ENGINEER.

DIMENSIONS ARE IN INCHES  
 FRACTIONAL ±  
 ANGULAR: MACH ±  
 TWO PLACE DECIMAL ±  
 THREE PLACE DECIMAL ±

MATERIAL

FINISH

	NAME	DATE
DRAWN	SCR	03/31/18
ENG APPR.		
MFG APPR.		

COMMENTS:

TITLE:  
**CLASSIC INLINE  
 TURNBUCKLE - FOR  
 1/8" CABLE RAILING**

SIZE	DWG. NO.	REV
<b>A</b>	<b>731939</b>	<b>01</b>

SCALE: 1:2	WEIGHT:	SHEET 1 OF 1

2

1

B

B

A

A