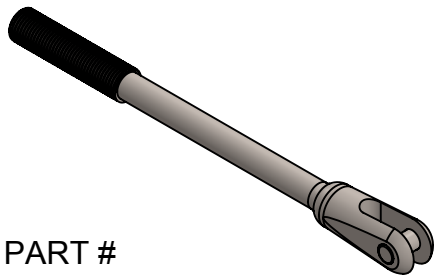


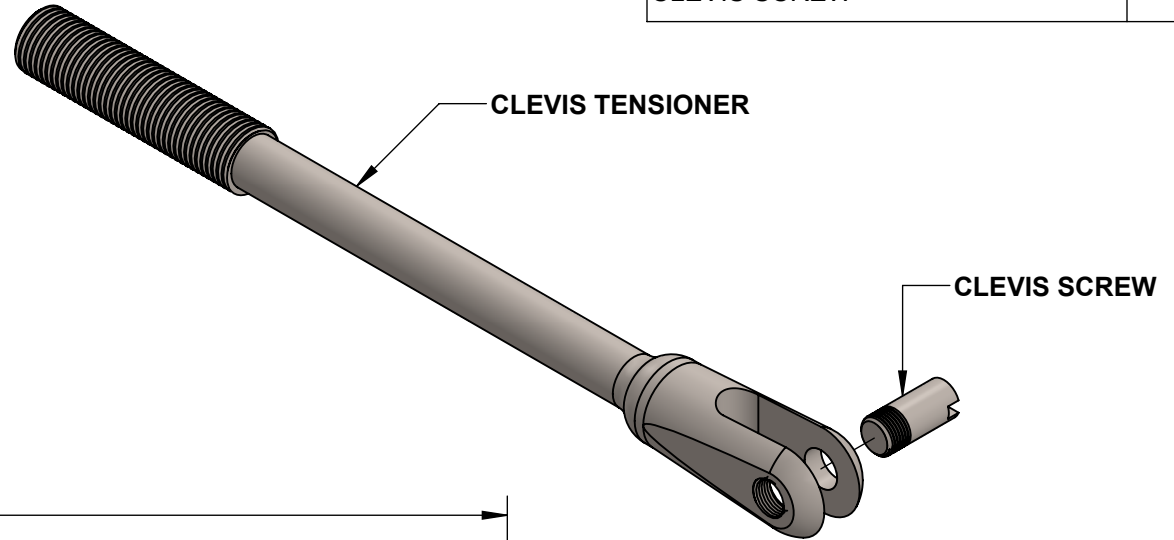
2

1



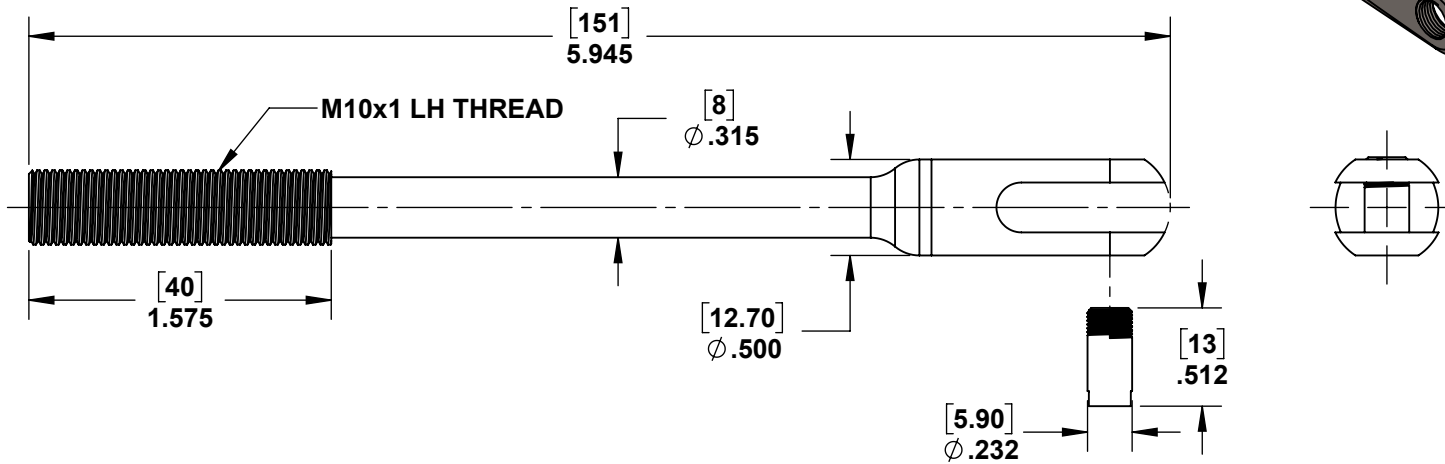
PART #
732325

PIECES INCLUDED:	QTY.
CLEVIS TENSIONER	1
CLEVIS SCREW	1



CLEVIS TENSIONER

CLEVIS SCREW



A

A



PROPRIETARY AND CONFIDENTIAL

THE INFORMATION CONTAINED IN THIS DRAWING IS THE SOLE PROPERTY OF STAINLESS CABLE AND RAILING®. ANY REPRODUCTION IN PART OR AS A WHOLE WITHOUT THE WRITTEN PERMISSION OF STAINLESS CABLE AND RAILING® IS PROHIBITED.

NOTES: UNLESS OTHERWISE SPECIFIED

- DUAL DIMENSIONS SHOWN - INCHES [MM].
- MACHINED SURFACES TO BE 63uIN MAX.
- PART TO BE FREE OF BURRS AND SHARP EDGES.
- ALL MATERIAL TO BE CLEAN, DEGREASED AND FREE OF ALL IMPURITIES.
- ANY CHANGE MUST BE AUTHORIZED BY AN SC&R ENGINEER.

DIMENSIONS ARE IN INCHES
 FRACTIONAL \pm
 ANGULAR: MACH \pm
 TWO PLACE DECIMAL \pm
 THREE PLACE DECIMAL \pm

MATERIAL

FINISH

	NAME	DATE
DRAWN	SCR	04/02/18
ENG APPR.		
MFG APPR.		
COMMENTS:		

TITLE:		
CLEVIS TENSIONER AND CLEVIS SCREW		
SIZE A	DWG. NO. 732325	REV 01
SCALE: 1:1	WEIGHT:	SHEET 1 OF 1

2

1