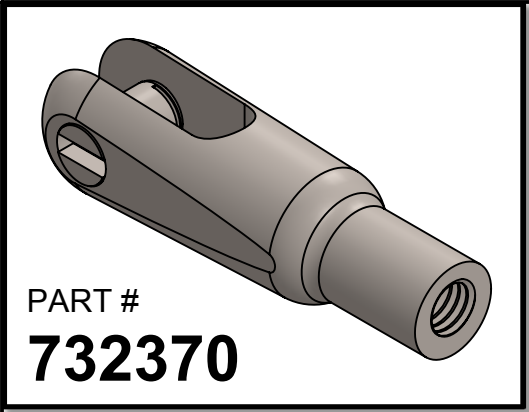


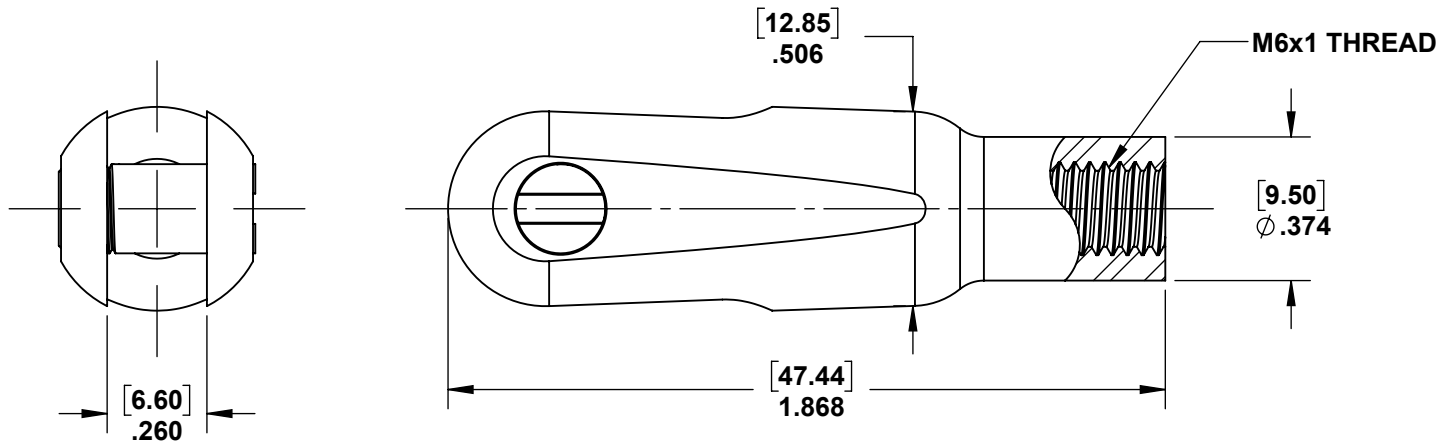
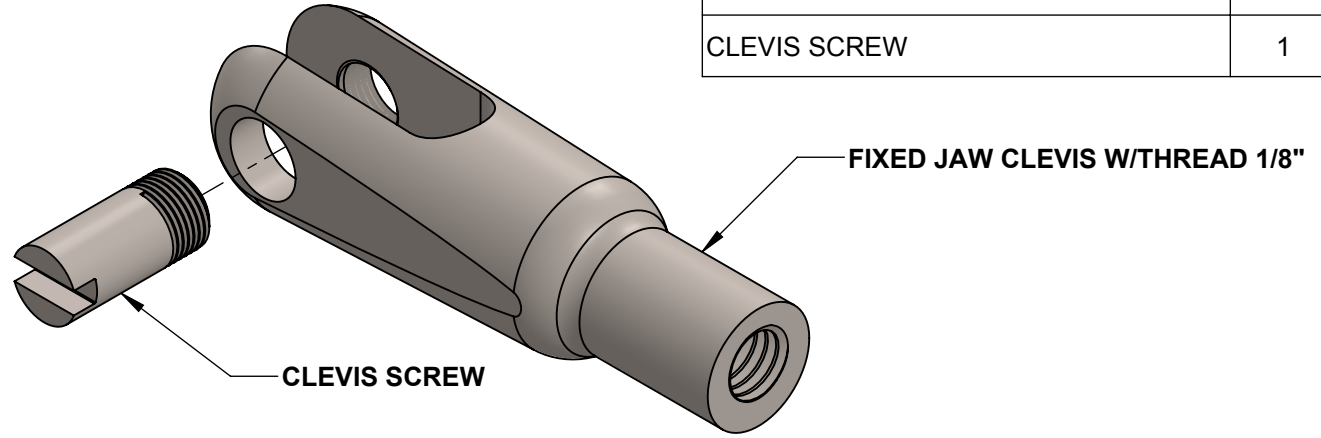
2

1



PART #  
**732370**

PIECES INCLUDED:	QTY.
FIXED JAW CLEVIS W/THREAD 1/8"	1
CLEVIS SCREW	1



A

A



PROPRIETARY AND CONFIDENTIAL

THE INFORMATION CONTAINED IN THIS DRAWING IS THE SOLE PROPERTY OF STAINLESS CABLE AND RAILING®. ANY REPRODUCTION IN PART OR AS A WHOLE WITHOUT THE WRITTEN PERMISSION OF STAINLESS CABLE AND RAILING® IS PROHIBITED.

NOTES: UNLESS OTHERWISE SPECIFIED

- DUAL DIMENSIONS SHOWN - INCHES [MM].
- MACHINED SURFACES TO BE 63uIN MAX.
- PART TO BE FREE OF BURRS AND SHARP EDGES.
- ALL MATERIAL TO BE CLEAN, DEGREASED AND FREE OF ALL IMPURITIES.
- ANY CHANGE MUST BE AUTHORIZED BY AN SC&R ENGINEER.

DIMENSIONS ARE IN INCHES  
 FRACTIONAL ±  
 ANGULAR: MACH ±  
 TWO PLACE DECIMAL ±  
 THREE PLACE DECIMAL ±

MATERIAL

FINISH

NAME DATE  
 SCR 03/31/18

DRAWN  
 ENG APPR.  
 MFG APPR.

COMMENTS:

TITLE: **CLEVIS SCREW AND  
 FIXED JAW CLEVIS  
 W/THREAD - FOR 1/8"  
 CABLE RAILING**

SIZE <b>A</b>	DWG. NO. <b>732370</b>	REV <b>01</b>
------------------	---------------------------	------------------

SCALE: 3:2	WEIGHT:	SHEET 1 OF 1
------------	---------	--------------

2

1