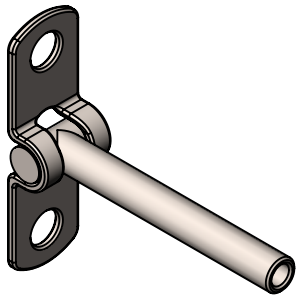


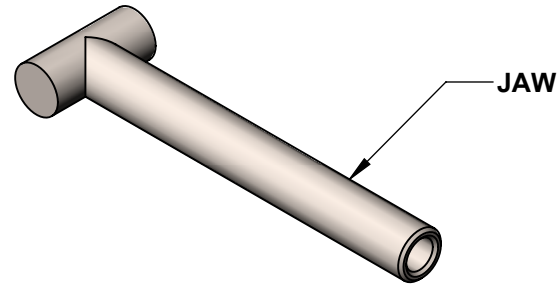
2

1

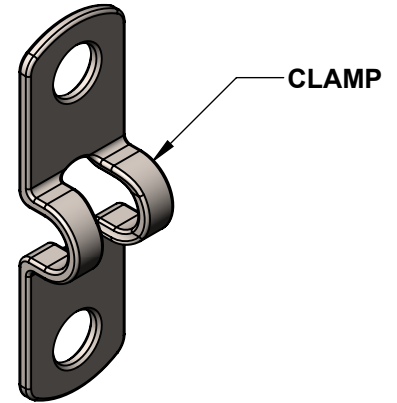


PART #  
**732554**

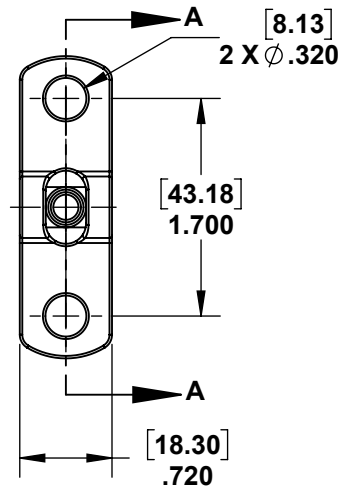
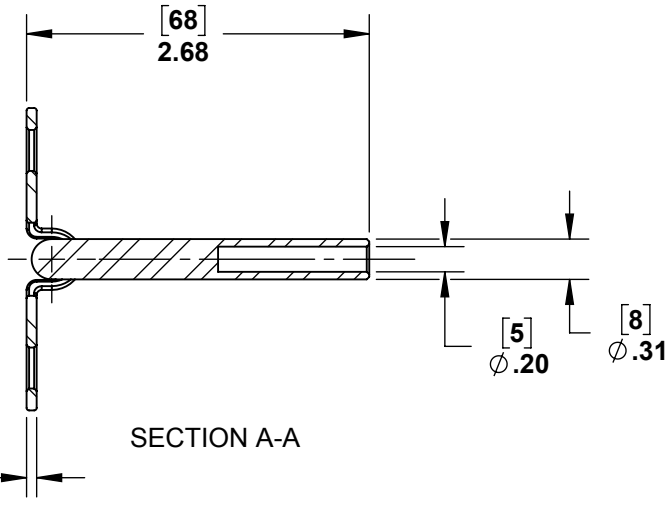
PIECES INCLUDED:	QTY.
JAW 3/16"	1
CLAMP 3/16"	1



JAW



CLAMP



B

B

A

A



PROPRIETARY AND CONFIDENTIAL

THE INFORMATION CONTAINED IN THIS DRAWING IS THE SOLE PROPERTY OF STAINLESS CABLE AND RAILING®. ANY REPRODUCTION IN PART OR AS A WHOLE WITHOUT THE WRITTEN PERMISSION OF STAINLESS CABLE AND RAILING® IS PROHIBITED.

NOTES: UNLESS OTHERWISE SPECIFIED

- DUAL DIMENSIONS SHOWN - INCHES [MM].
- MACHINED SURFACES TO BE 63uIN MAX.
- PART TO BE FREE OF BURRS AND SHARP EDGES.
- ALL MATERIAL TO BE CLEAN, DEGREASED AND FREE OF ALL IMPURITIES.
- ANY CHANGE MUST BE AUTHORIZED BY AN SC&R ENGINEER.

DIMENSIONS ARE IN INCHES  
FRACTIONAL ±  
ANGULAR: MACH ±  
TWO PLACE DECIMAL ±  
THREE PLACE DECIMAL ±

MATERIAL

FINISH

	NAME	DATE
DRAWN	SCR	02/20/18
ENG APPR.		
MFG APPR.		
COMMENTS:		

TITLE:  
**SURFACE MOUNT  
TOGGLE END - FOR  
3/16" CABLE RAILING**

SIZE	DWG. NO.	REV
<b>A</b>	<b>732554</b>	<b>01</b>
SCALE: 2:3	WEIGHT:	SHEET 1 OF 1

2

1