

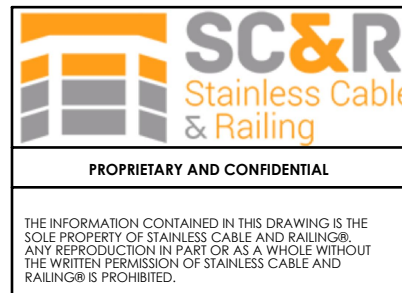
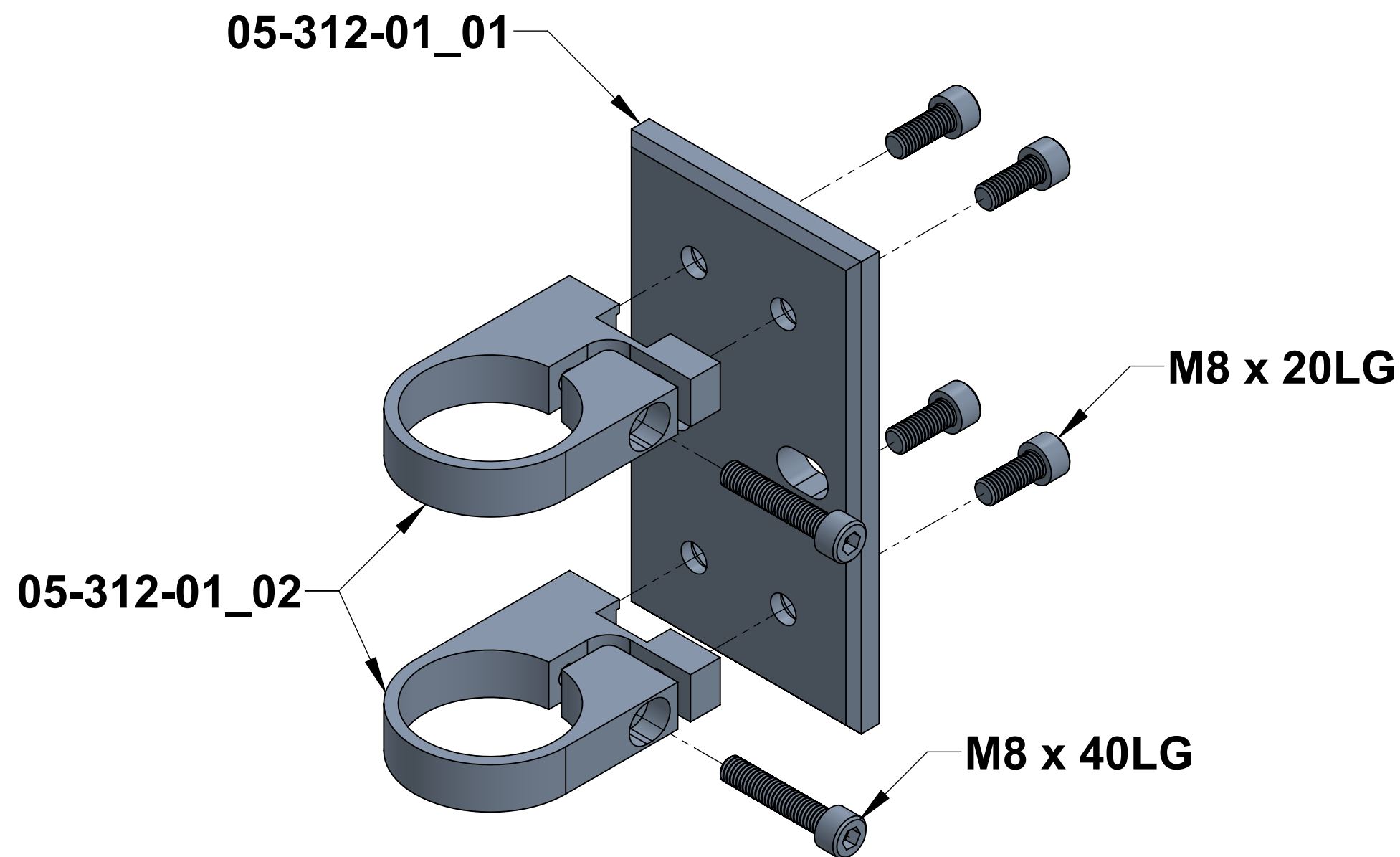
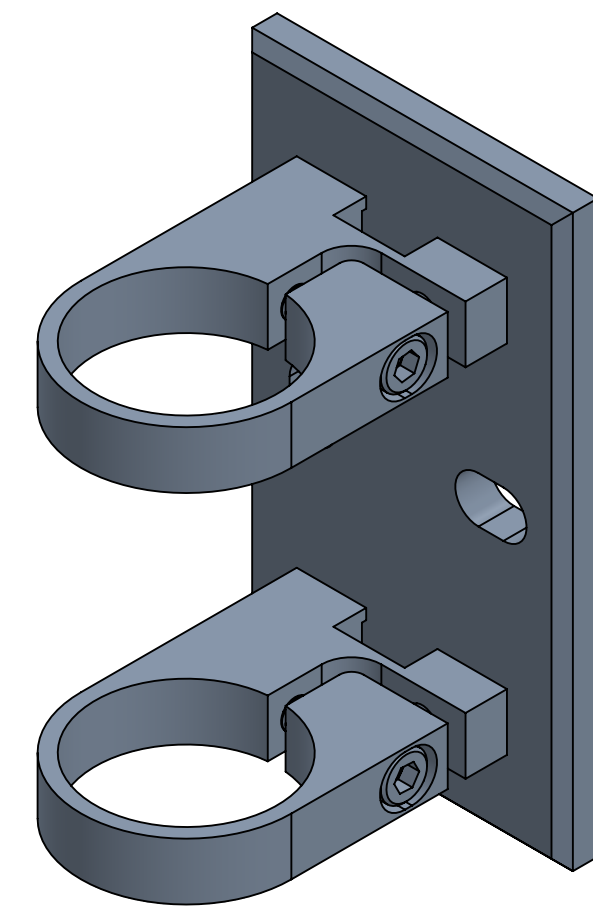
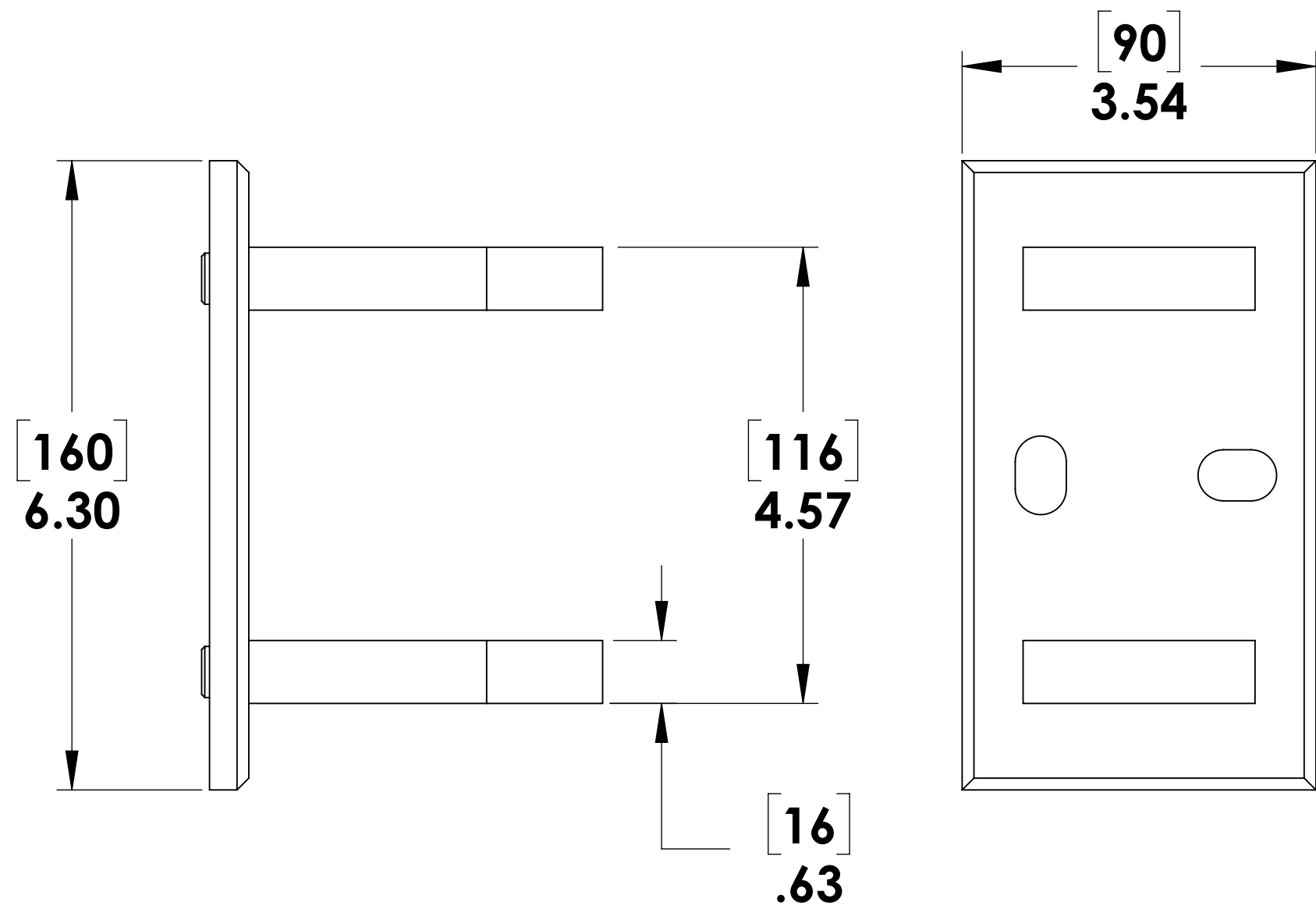
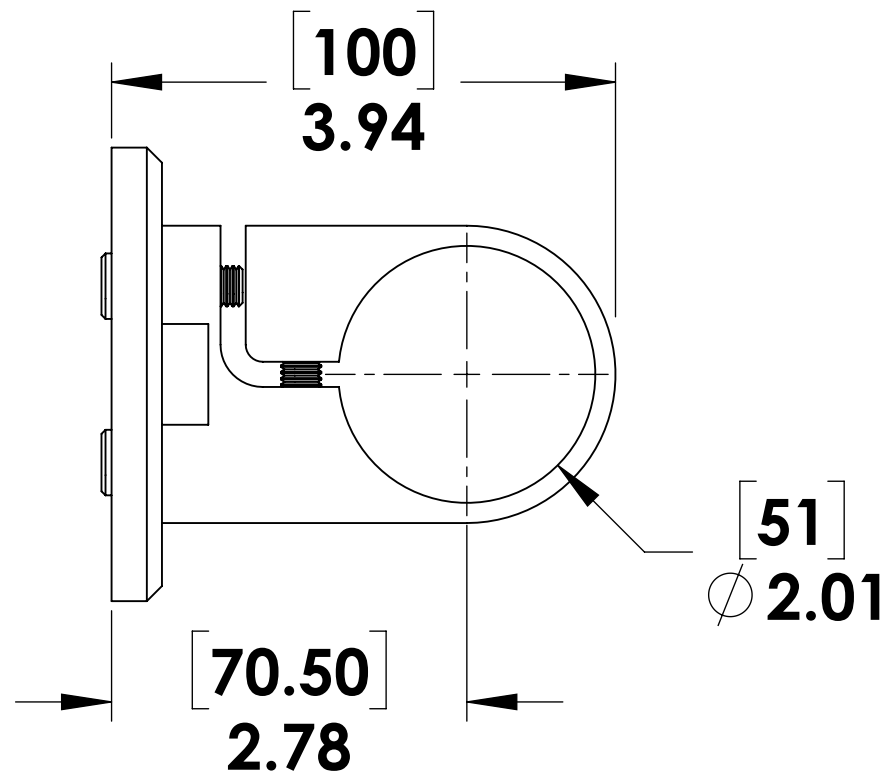
4

3

2

1

PART NUMBER	DESCRIPTION	QTY.
05-312-01_01	RECTANGULAR MOUNTING PLATE	1
05-312-01_02	BRACKET	2
M8 x 40LG	M8 x 40LG SCREW	2
M8 x 20LG	M8 x 20LG SCREW	4



NOTES: UNLESS OTHERWISE SPECIFIED

- DUAL DIMENSIONS SHOWN - INCHES [MM].
- MACHINED SURFACES TO BE 63µIN MAX.
- PART TO BE FREE OF BURRS AND SHARP EDGES.
- ALL MATERIAL TO BE CLEAN, DEGREASED AND FREE OF ALL IMPURITIES.
- ANY CHANGE MUST BE AUTHORIZED BY AN SC&R ENGINEER.

DIMENSIONS ARE IN INCHES
 FRACTIONAL ±
 ANGULAR: MACH ±
 TWO PLACE DECIMAL ±
 THREE PLACE DECIMAL ±

MATERIAL
 FINISH

NAME	DATE
SCR	02/28/18
ENG APPR.	
MFG APPR.	

COMMENTS:

TITLE: FASCIA (SIDE) 2-HOLE RECTANGULAR MOUNTING BRACKET FOR 2" OD ROUND SS RAILING		
SIZE C	DWG. NO. 732585	REV 01
SCALE: 2:3	WEIGHT:	SHEET 1 OF 1

4

3

2

1