

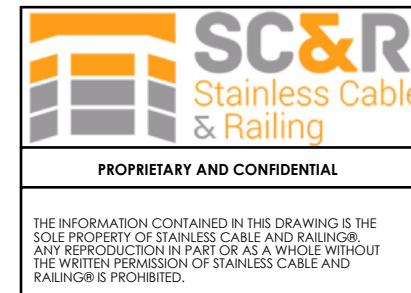
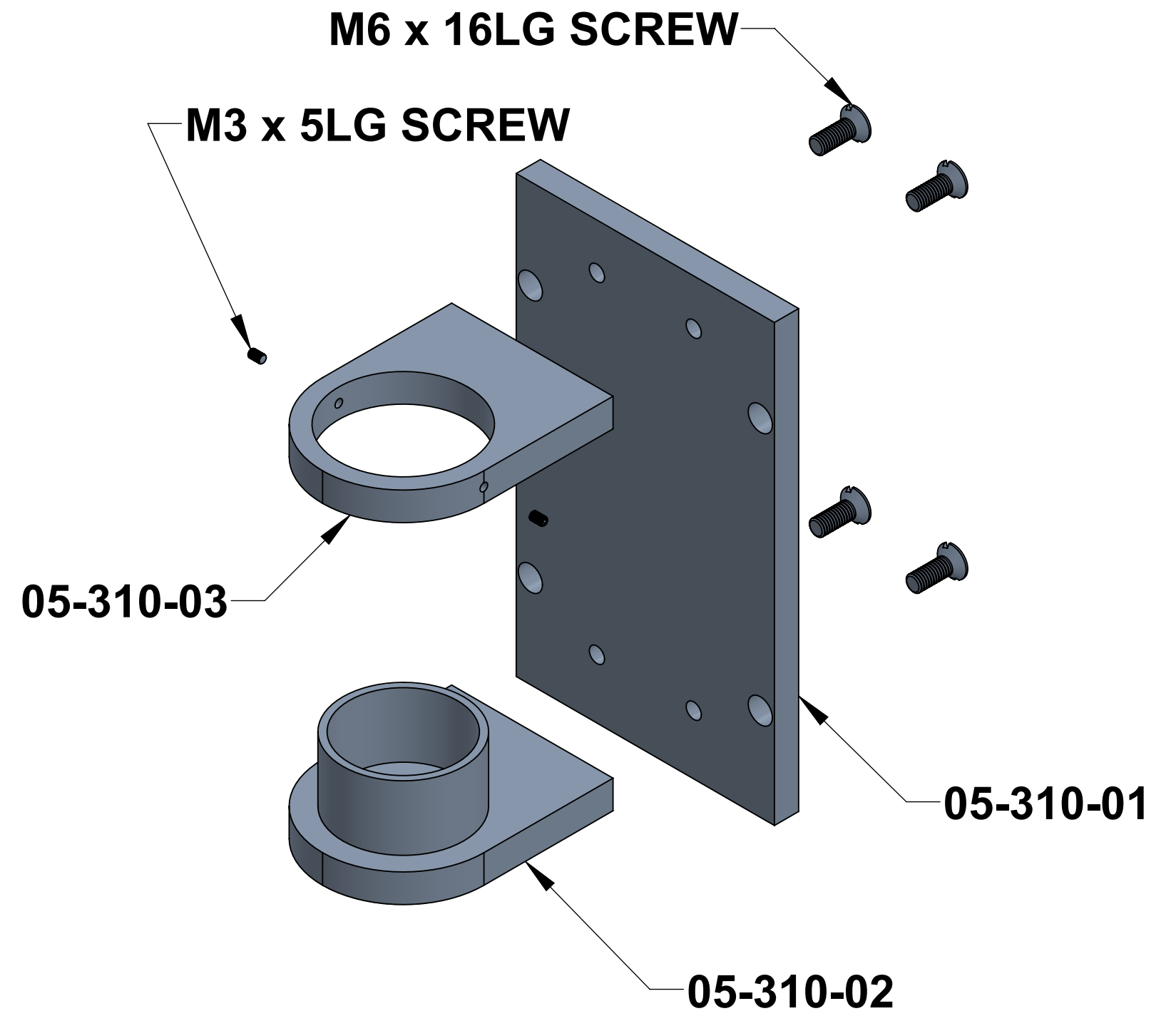
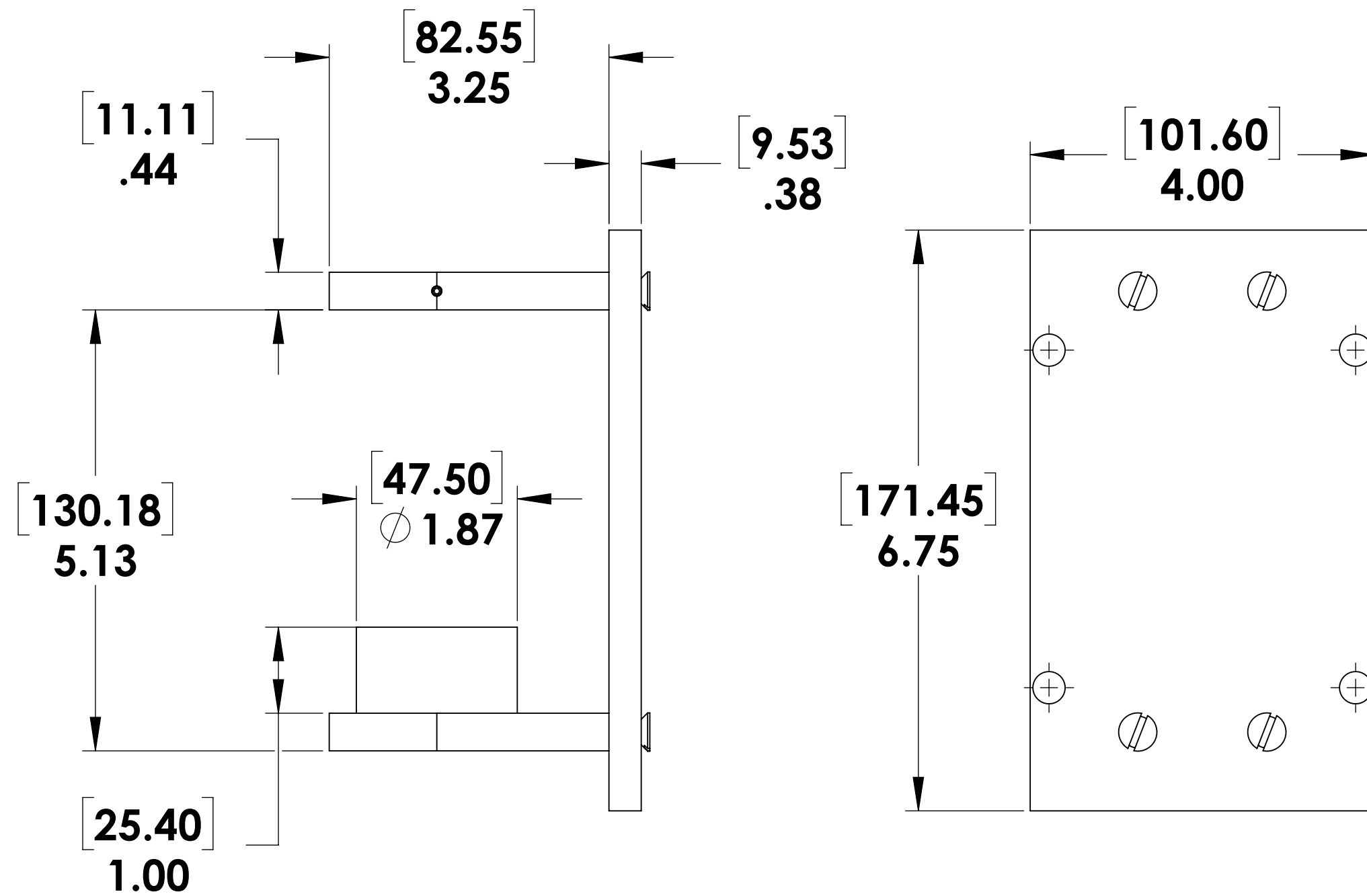
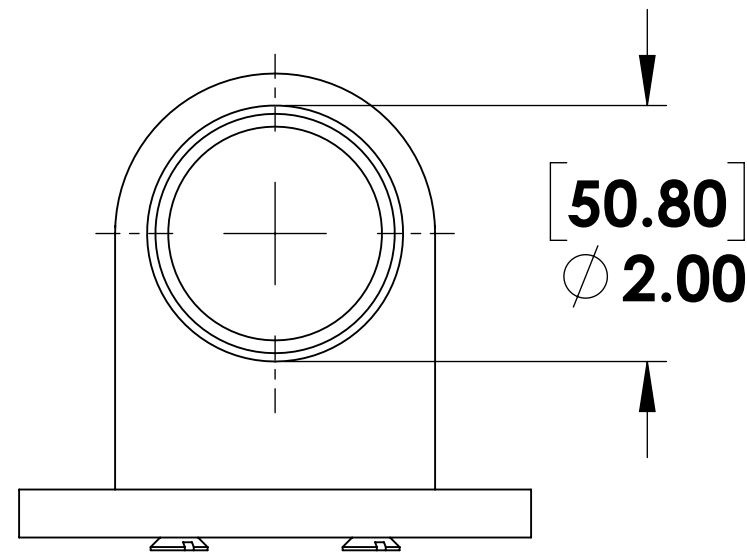
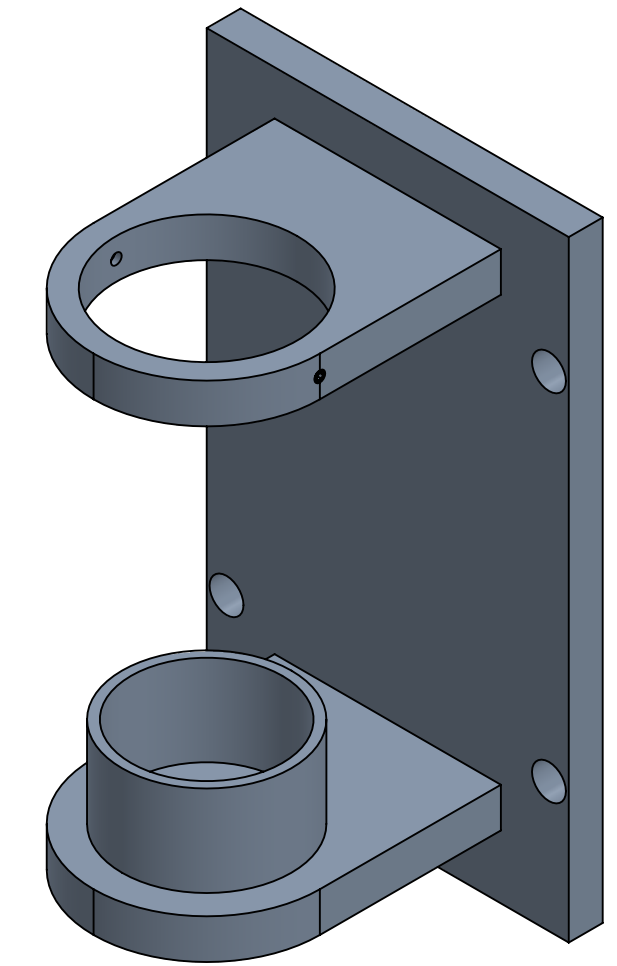
4

3

2

1

PART NUMBER	DESCRIPTION	QTY.
05-310-01	PLATE-STAINLESS 2" FASCIA BRACKET	1
05-310-02	BASE-STAINLESS 2" FASCIA BRACKET	1
05-310-03	RETAINER RING-STAINLESS 2" FASCIA BRACKET	1
M6 x 16LG SCREW	M6 x 16LG_FHSCS	4
M3 x 5LG SCREW	M3 x 0.5 x 5LG SCREW	2



NOTES: UNLESS OTHERWISE SPECIFIED

- DUAL DIMENSIONS SHOWN - INCHES [MM].
- MACHINED SURFACES TO BE 63µIN MAX.
- PART TO BE FREE OF BURRS AND SHARP EDGES.
- ALL MATERIAL TO BE CLEAN, DEGREASED AND FREE OF ALL IMPURITIES.
- ANY CHANGE MUST BE AUTHORIZED BY AN SC&R ENGINEER.

DIMENSIONS ARE IN INCHES
 FRACTIONAL ±
 ANGULAR: MACH ±
 TWO PLACE DECIMAL ±
 THREE PLACE DECIMAL ±

MATERIAL _____
 FINISH _____

NAME	DATE
SCR	02/28/18
ENG APPR.	
MFG APPR.	

COMMENTS:

TITLE: FASCIA (SIDE) 4-HOLE RECTANGULAR MOUNTING BRACKET FOR 2IN OD ROUND SS INTERMEDIATE POSTS		
SIZE C	DWG. NO. 732592	REV 01
SCALE: 2:3	WEIGHT:	SHEET 1 OF 1

4

3

2

1