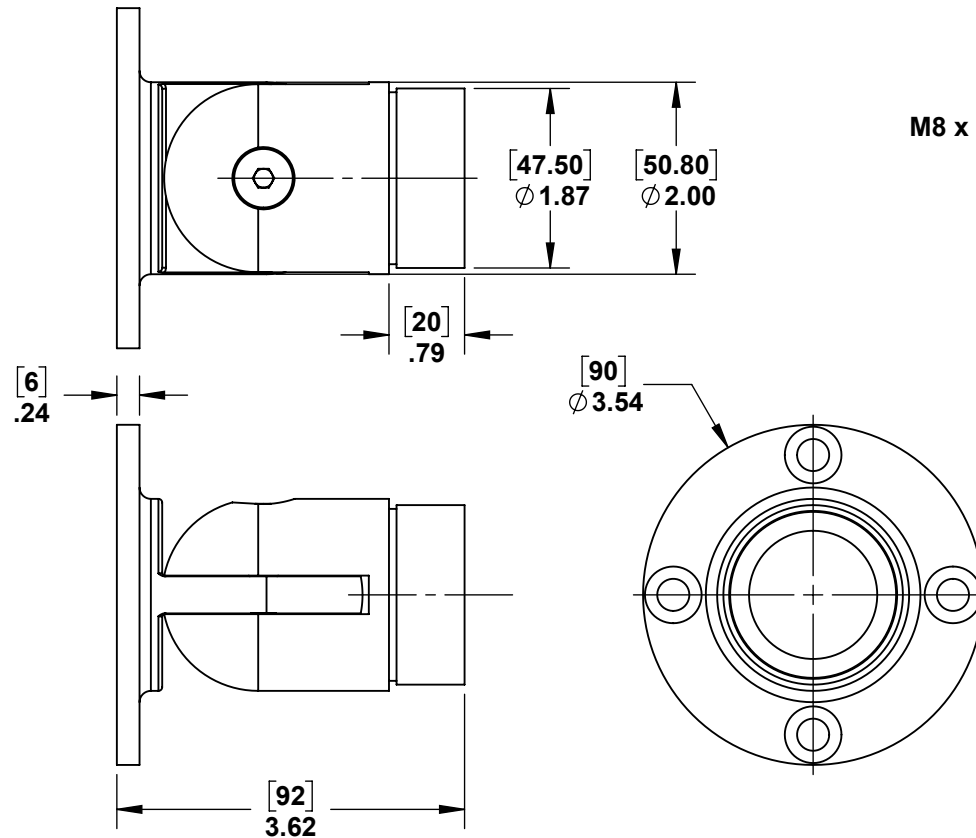


2

1

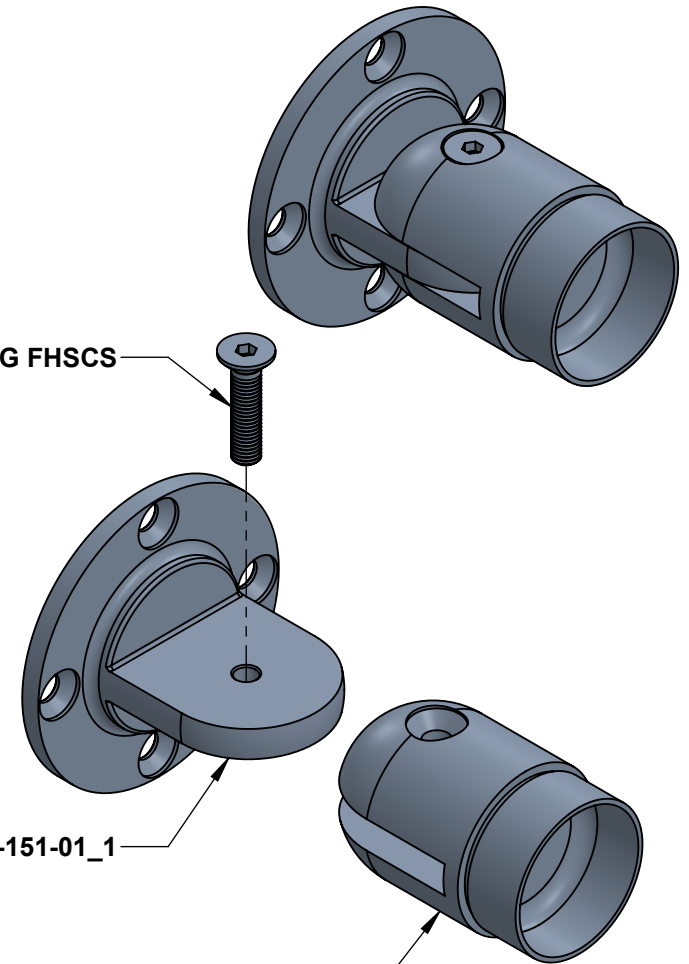
PART NUMBER	DESCRIPTION	QTY.
05-151-01_1	BASE	1
05-151-01_2	SLEEVE - STAINLESS STEEL 2" ADJUSTABLE ELBOW	1
M8 x 1.0 x 35LG FHSCS	M8 x 1.0 x 35LG FLAT HEAD SCREW	1



M8 x 1.0 x 35LG FHSCS

05-151-01_1

05-151-01_2



B

B

A

A



PROPRIETARY AND CONFIDENTIAL

THE INFORMATION CONTAINED IN THIS DRAWING IS THE SOLE PROPERTY OF STAINLESS CABLE AND RAILING®. ANY REPRODUCTION IN PART OR AS A WHOLE WITHOUT THE WRITTEN PERMISSION OF STAINLESS CABLE AND RAILING® IS PROHIBITED.

NOTES: UNLESS OTHERWISE SPECIFIED

- DIMENSIONS SHOWN - INCHES [MM].
- MACHINED SURFACES TO BE 63µIN MAX.
- PART TO BE FREE OF BURRS AND SHARP EDGES.
- ALL MATERIAL TO BE CLEAN, DEGREASED AND FREE OF ALL IMPURITIES.
- ANY CHANGE MUST BE AUTHORIZED BY AN SC&R ENGINEER.

DIMENSIONS ARE IN INCHES
 FRACTIONAL ±
 ANGULAR: MACH ±
 TWO PLACE DECIMAL ±
 THREE PLACE DECIMAL ±

MATERIAL

FINISH

DO NOT SCALE DRAWING

	NAME	DATE
DRAWN	SCR	02/28/18
ENG APPR.		
MFG APPR.		
COMMENTS:		

TITLE: **STAINLESS ROUND ARTICULATING FLANGE**

SIZE	DWG. NO.	REV
A	732639	01
SCALE: 1:2	WEIGHT:	SHEET 1 OF 1

2

1