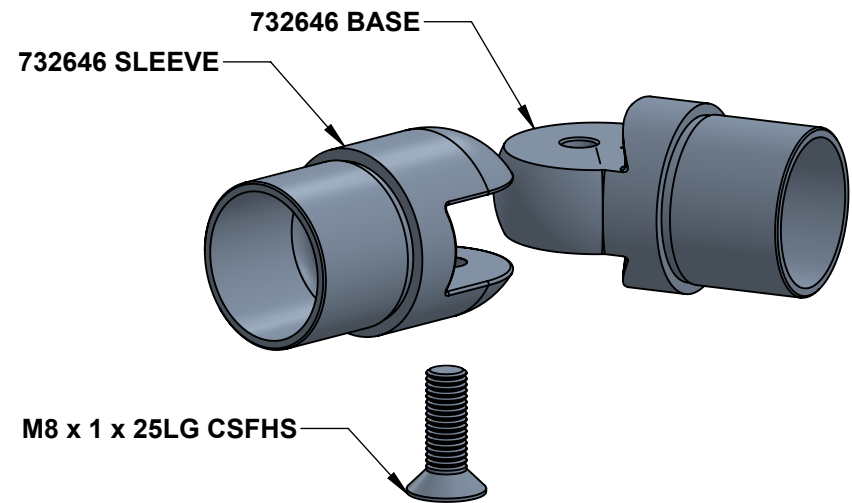
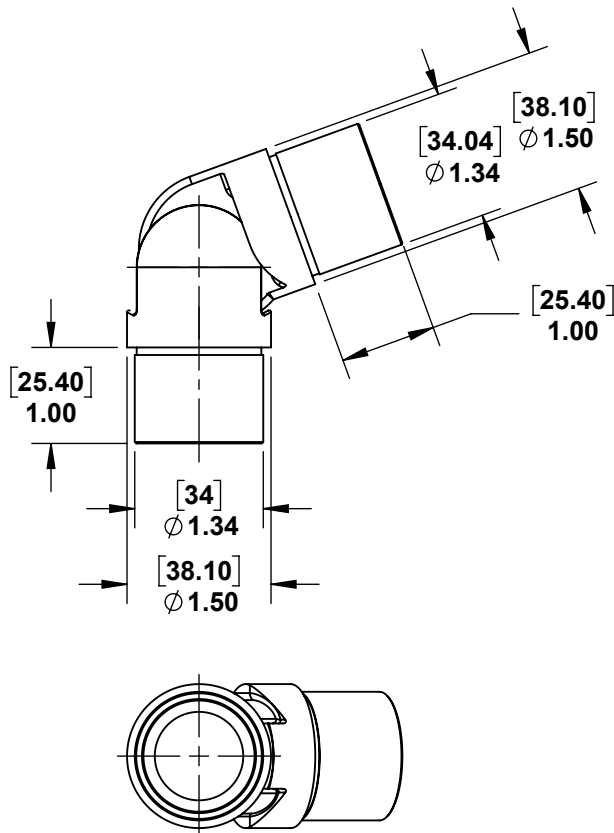
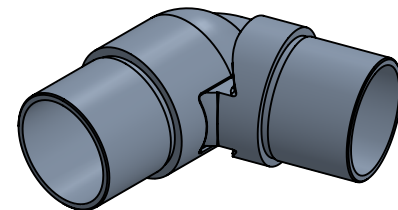


2

1

PART NUMBER	DESCRIPTION	QTY.
732646 BASE	BASE - STAINLESSSTEEL 2" ADJUSTABLE ELBOW	1
732646 SLEEVE	SLEEVE - STAINLESS STEEL 2" ADJUSTABLE ELBOW	1
M8 x 1 x 25LG CSFHS	M8 x 1 x 25LG COUNTERSUNK FLAT HEAD SCREW	1



B

B

A

A



PROPRIETARY AND CONFIDENTIAL

THE INFORMATION CONTAINED IN THIS DRAWING IS THE SOLE PROPERTY OF STAINLESS CABLE AND RAILING®. ANY REPRODUCTION IN PART OR AS A WHOLE WITHOUT THE WRITTEN PERMISSION OF STAINLESS CABLE AND RAILING® IS PROHIBITED.

NOTES: UNLESS OTHERWISE SPECIFIED		NAME	DATE
1. DIMENSIONS SHOWN - INCHES [MM]. 2. MACHINED SURFACES TO BE 63µIN MAX. 3. PART TO BE FREE OF BURRS AND SHARP EDGES. 4. ALL MATERIAL TO BE CLEAN, DEGREASED AND FREE OF ALL IMPURITIES. 5. ANY CHANGE MUST BE AUTHORIZED BY AN SC&R ENGINEER.	DIMENSIONS ARE IN INCHES	SCR	02/28/18
	FRACTIONAL ±		
	ANGULAR: MACH ±		
	TWO PLACE DECIMAL ±		
	THREE PLACE DECIMAL ±		
MATERIAL	COMMENTS:		
FINISH			
DO NOT SCALE DRAWING			

TITLE: STAINLESS STEEL ROUND 1.5" ADJUSTABLE ELBOW		
SIZE A	DWG. NO. 732646	REV 01
SCALE: 1:2	WEIGHT:	SHEET 1 OF 1

2

1