

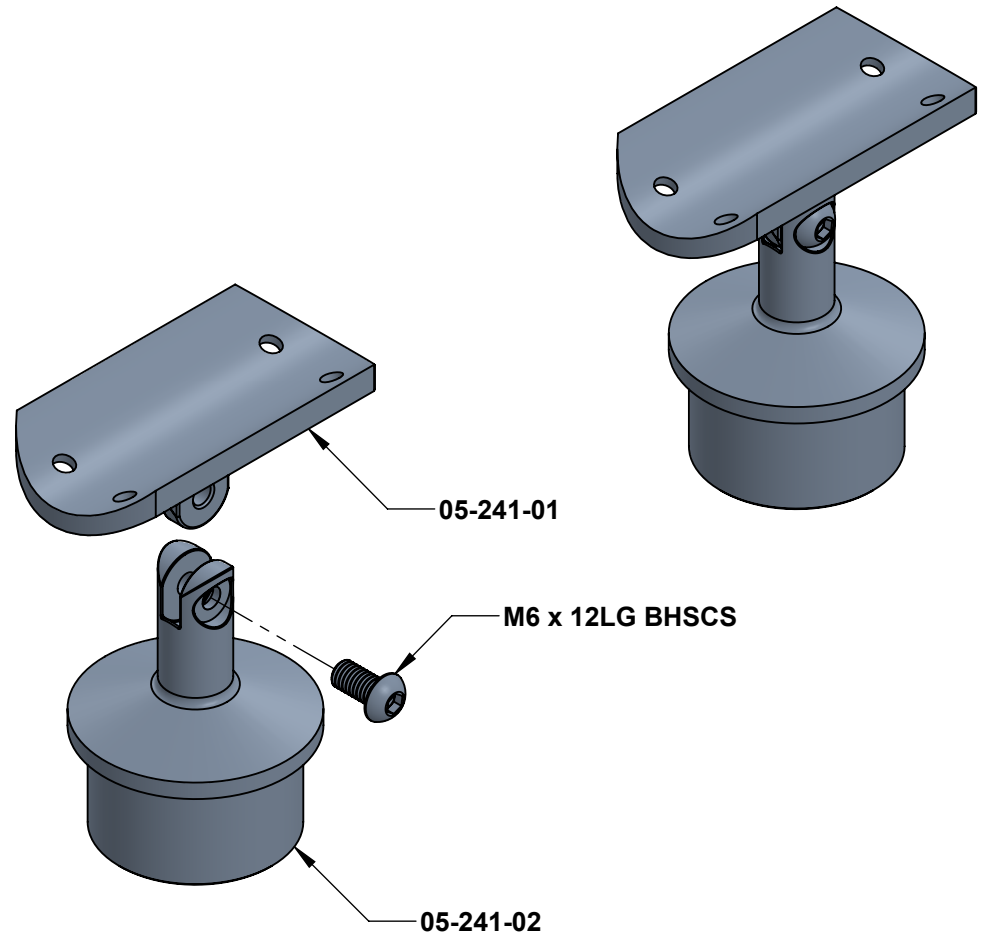
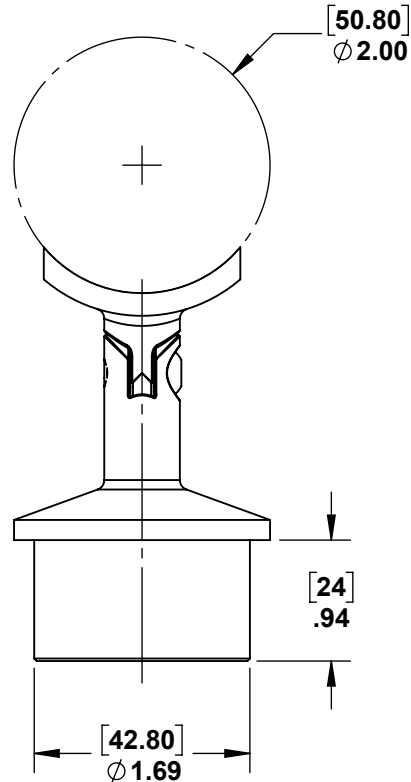
2

1

PART NUMBER	DESCRIPTION	QTY.
05-241-01	BASE - STAINLESS 2" POST CAP ADJUSTABLE (RADIUS SADDLE)	1
05-241-02	CUP - STAINLESS 2" POST CAP ADJUSTABLE (RADIUS SADDLE)	1
M6 x 1.0 x 12LG BHSCS	M6 x 1.0 x 12LG BUTTON HEAD SOCKET SCREW	1

B

B



A

A



PROPRIETARY AND CONFIDENTIAL

THE INFORMATION CONTAINED IN THIS DRAWING IS THE SOLE PROPERTY OF STAINLESS CABLE AND RAILING®. ANY REPRODUCTION IN PART OR AS A WHOLE WITHOUT THE WRITTEN PERMISSION OF STAINLESS CABLE AND RAILING® IS PROHIBITED.

NOTES: UNLESS OTHERWISE SPECIFIED

- DIMENSIONS SHOWN - INCHES [MM].
- MACHINED SURFACES TO BE 63µIN MAX.
- PART TO BE FREE OF BURRS AND SHARP EDGES.
- ALL MATERIAL TO BE CLEAN, DEGREASED AND FREE OF ALL IMPURITIES.
- ANY CHANGE MUST BE AUTHORIZED BY AN SC&R ENGINEER.

DIMENSIONS ARE IN INCHES
 FRACTIONAL ±
 ANGULAR: MACH ±
 TWO PLACE DECIMAL ±
 THREE PLACE DECIMAL ±

MATERIAL

FINISH

	NAME	DATE
DRAWN	SCR	02/28/18
ENG APPR.		
MFG APPR.		

COMMENTS:

TITLE: **POST CAP TOP RAIL
 ADJUSTABLE ANGLE
 MOUNT FOR 2" ROUND SS
 TERMINAL POSTS**

SIZE	DWG. NO.	REV
A	733117	01

SCALE: 2:3 WEIGHT: SHEET 1 OF 1

2

1