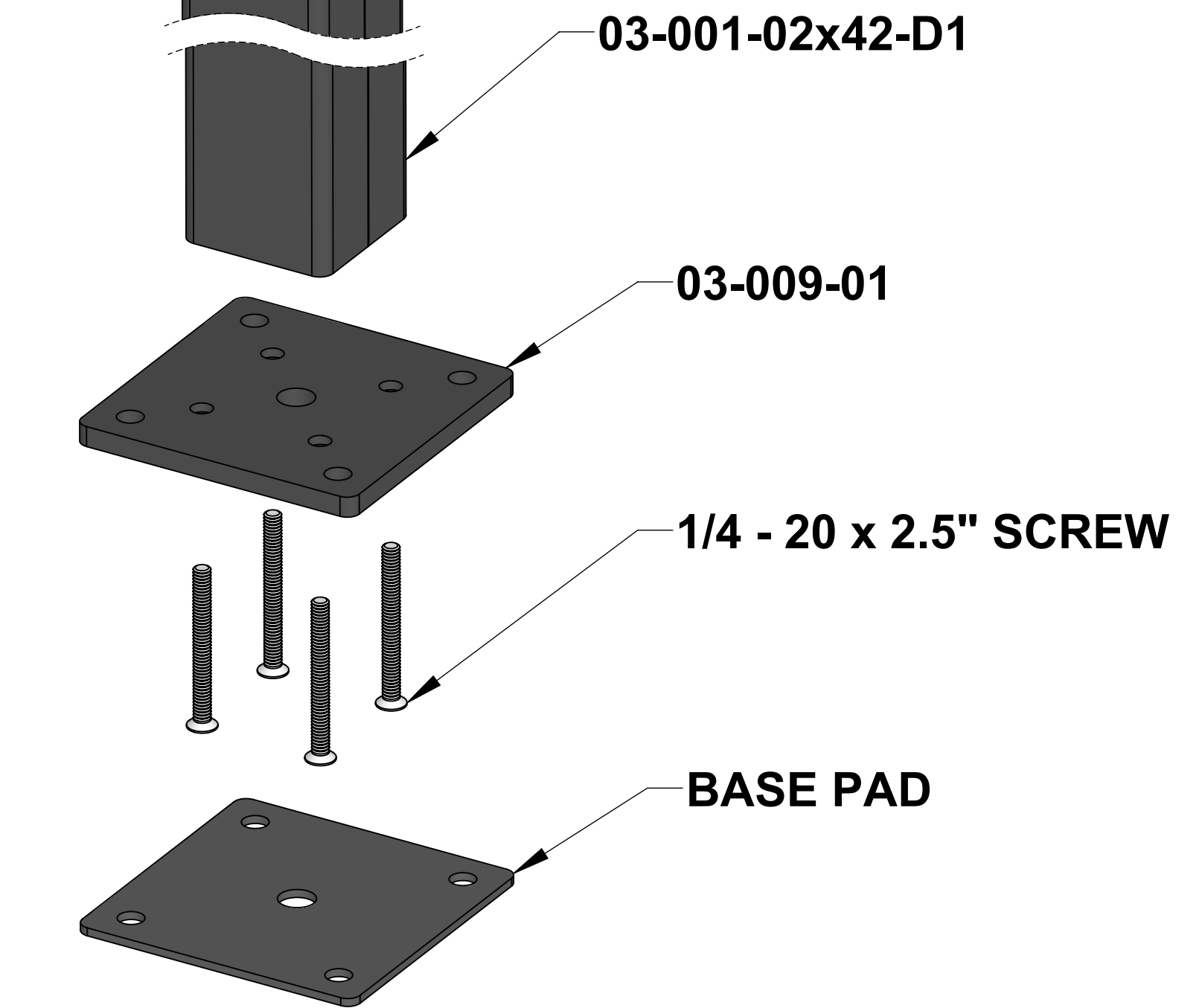
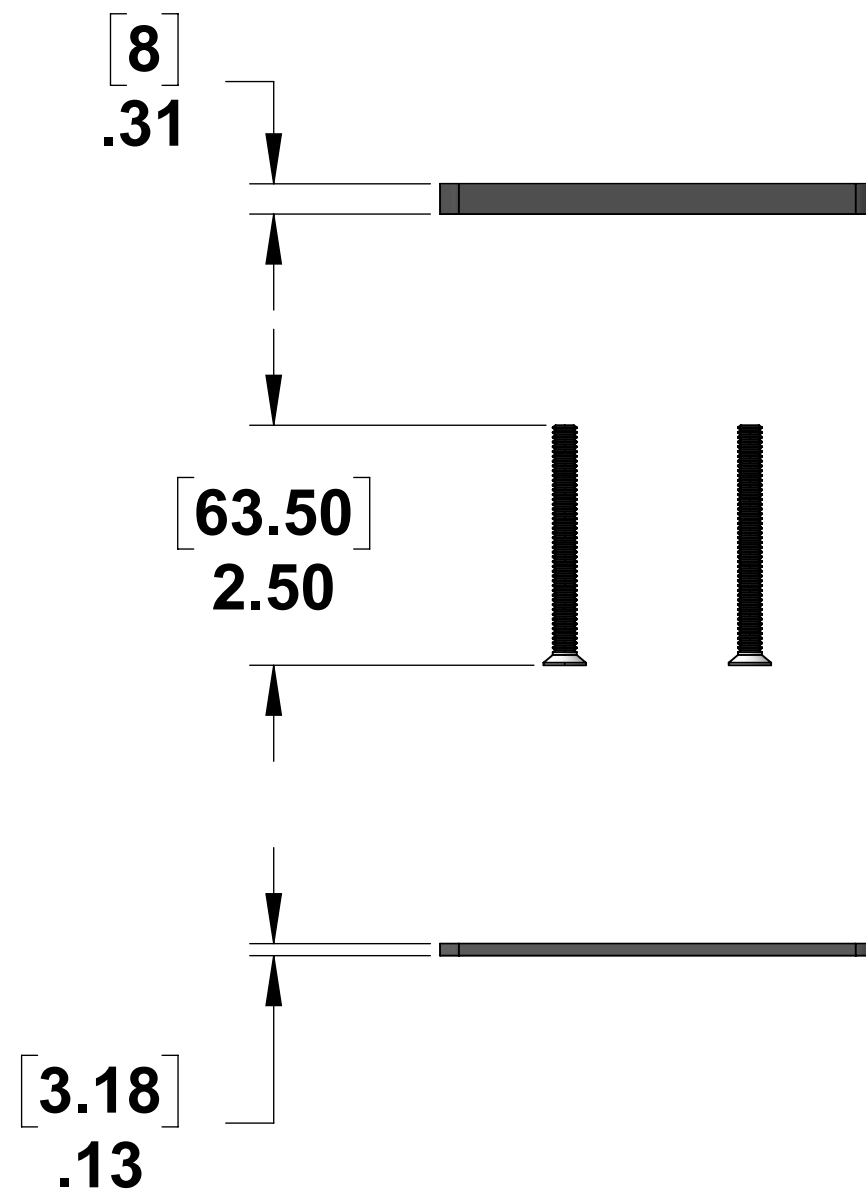
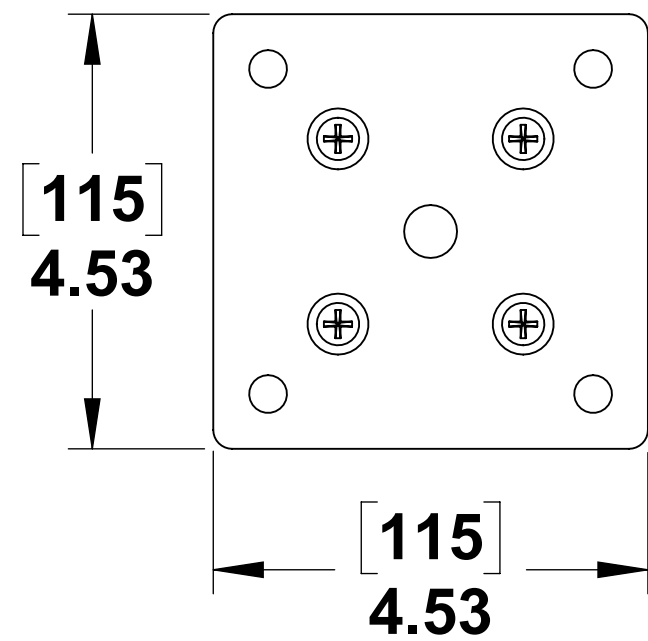
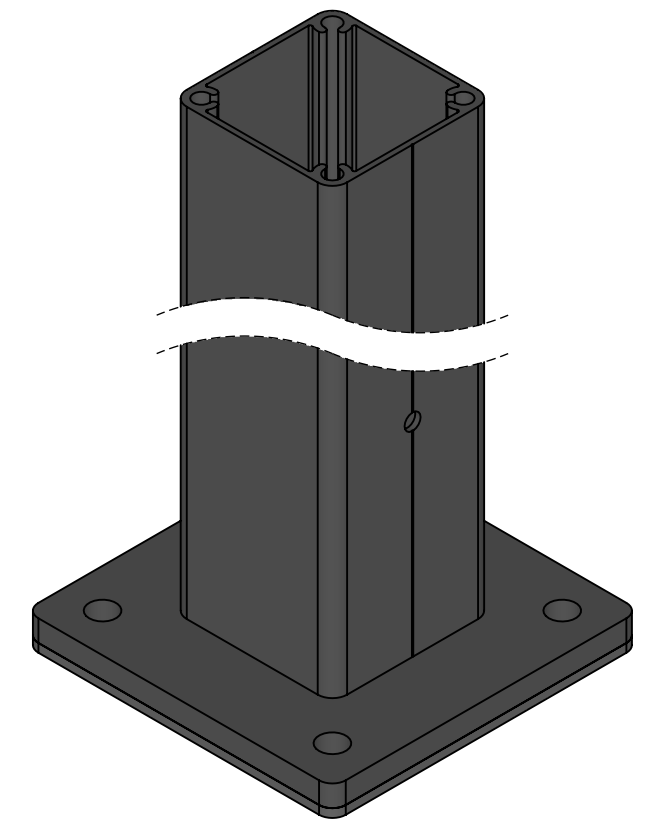
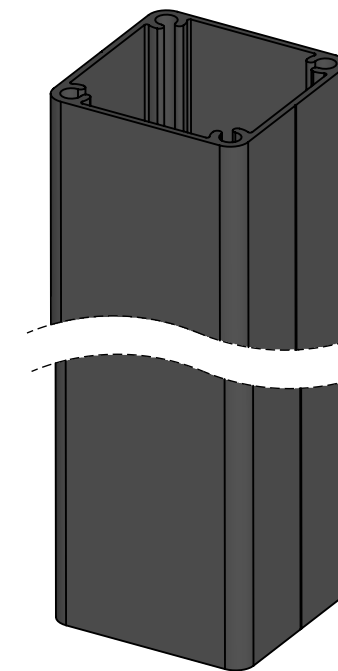
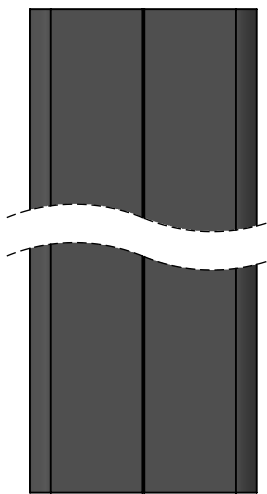
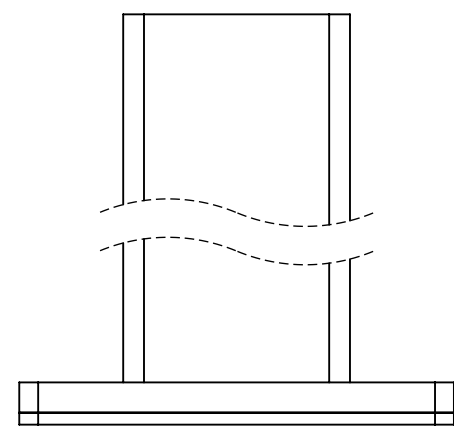
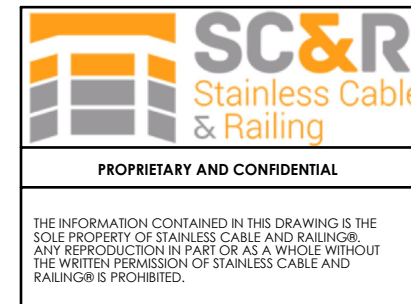


ITEM NO.	PART NUMBER	DESCRIPTION	QTY.
1	03-009-01	BASE PLATE	1
2	BASE PAD	NEOPRENE RUBBER BASE PAD	1
3	1/4 - 20 x 2.5in SCREW	1/4 - 20 x 2.5" SCREW	4



ASSEMBLY INSTALLATION



NOTES: UNLESS OTHERWISE SPECIFIED

- DUAL DIMENSIONS SHOWN - INCHES [MM].
- MACHINED SURFACES TO BE 63µIN MAX.
- PART TO BE FREE OF BURRS AND SHARP EDGES.
- ALL MATERIAL TO BE CLEAN, DEGREASED AND FREE OF ALL IMPURITIES.
- ANY CHANGE MUST BE AUTHORIZED BY AN SC&R ENGINEER.

DIMENSIONS ARE IN INCHES
 FRACTIONAL ±
 ANGULAR: MACH ±
 TWO PLACE DECIMAL ±
 THREE PLACE DECIMAL ±

MATERIAL: _____
 FINISH: _____

NAME	DATE
SCR	10/23/17
ENG APPR.	
MFG APPR.	

COMMENTS: _____

TITLE:		
BASE PLATE ASSEMBLY FOR ALUMINUM DECK MOUNT POSTS		
SIZE	DWG. NO.	REV
C	733131	01
SCALE: 1:2	WEIGHT:	SHEET 1 OF 1