

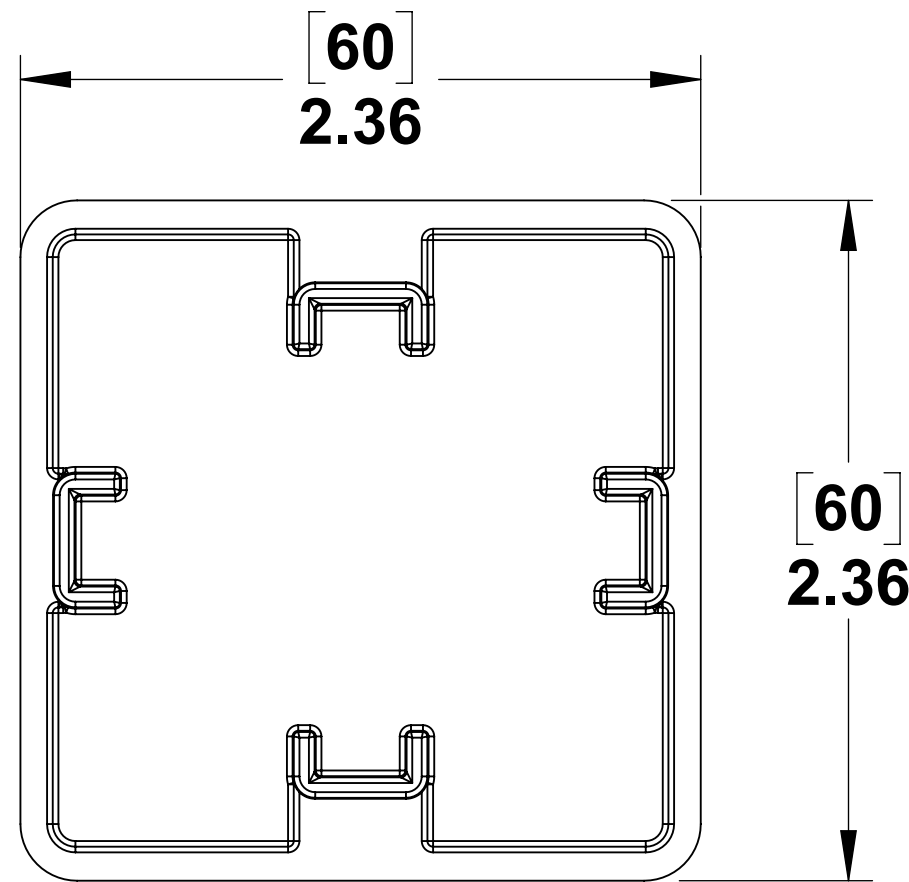
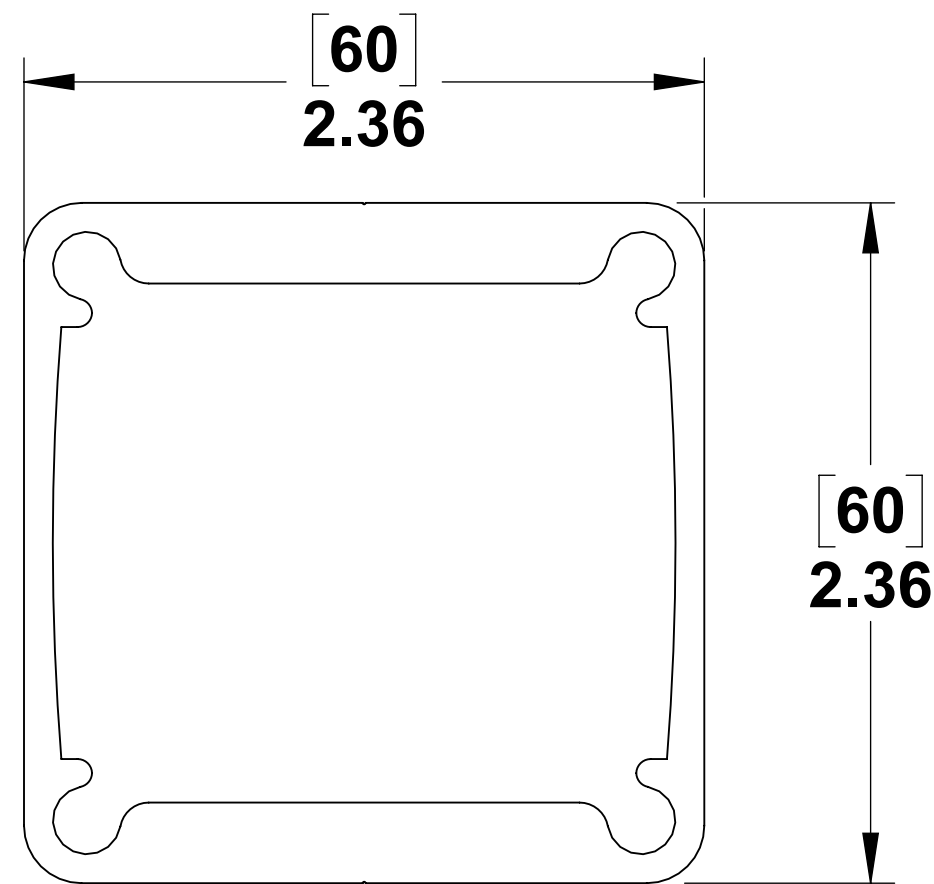
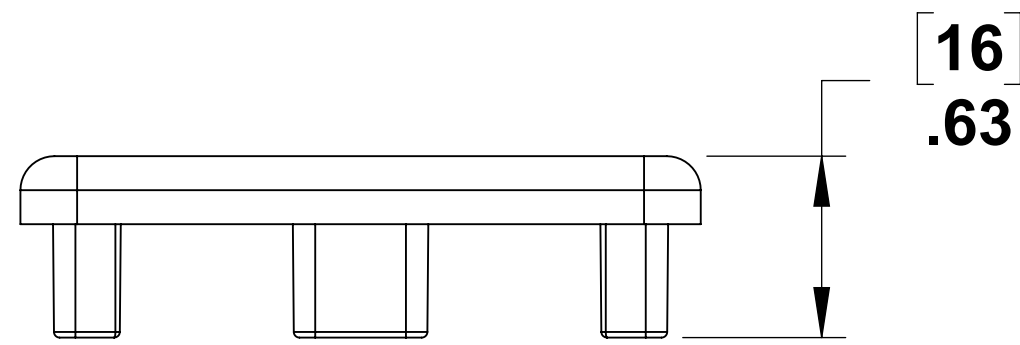
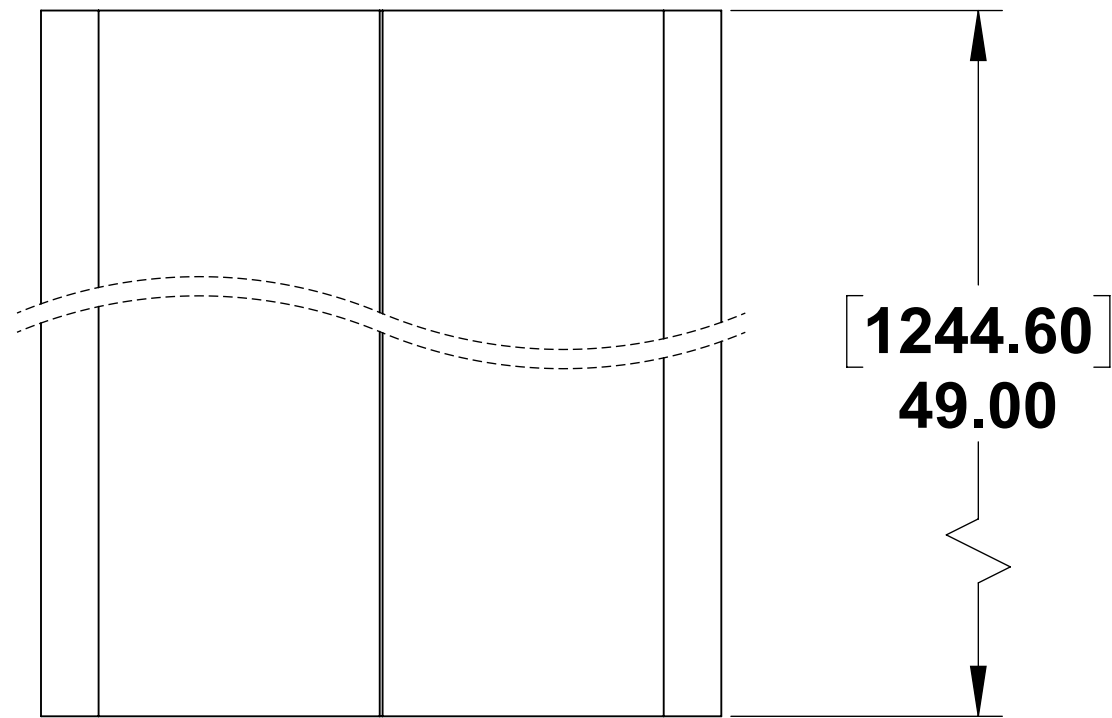
4

3

2

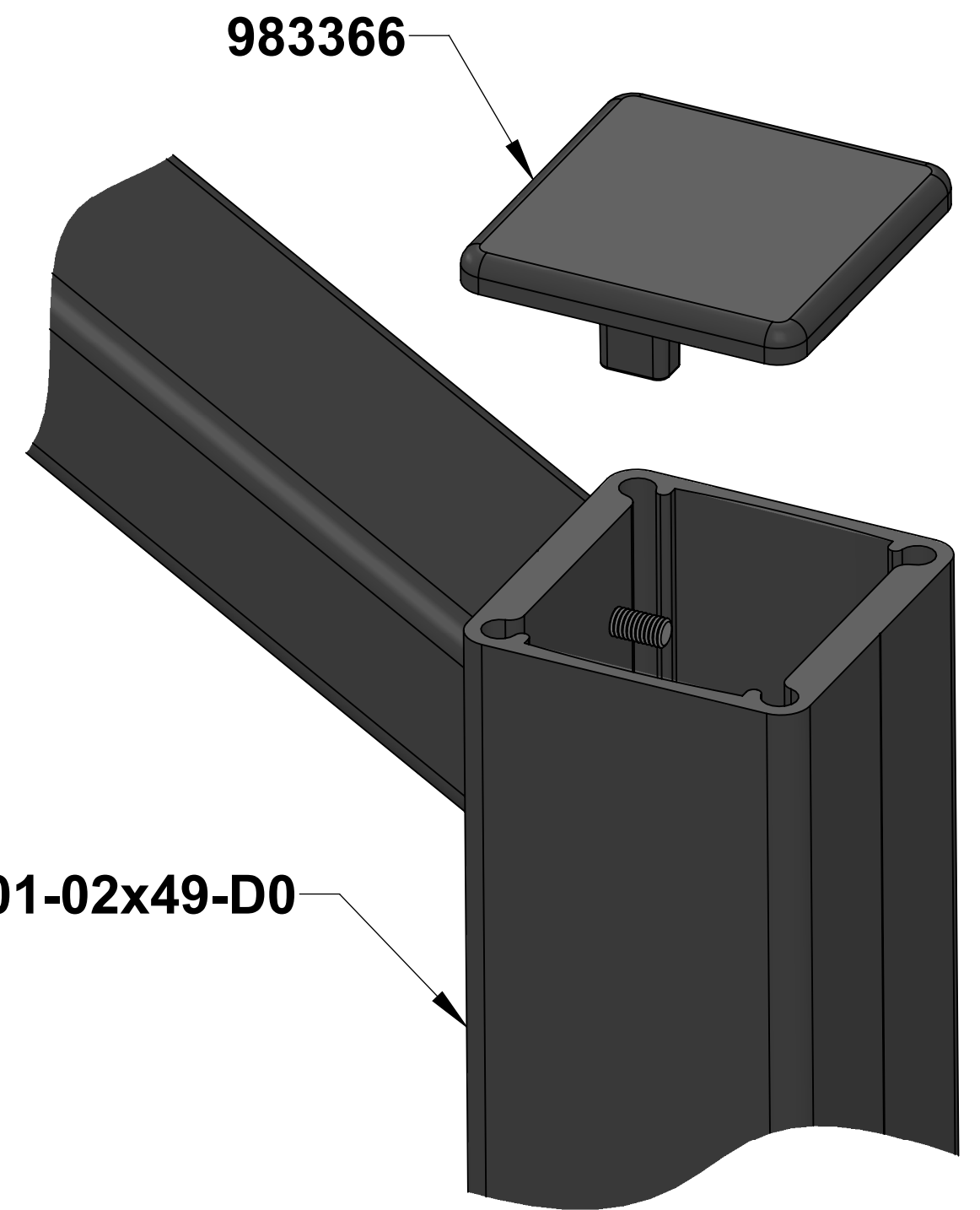
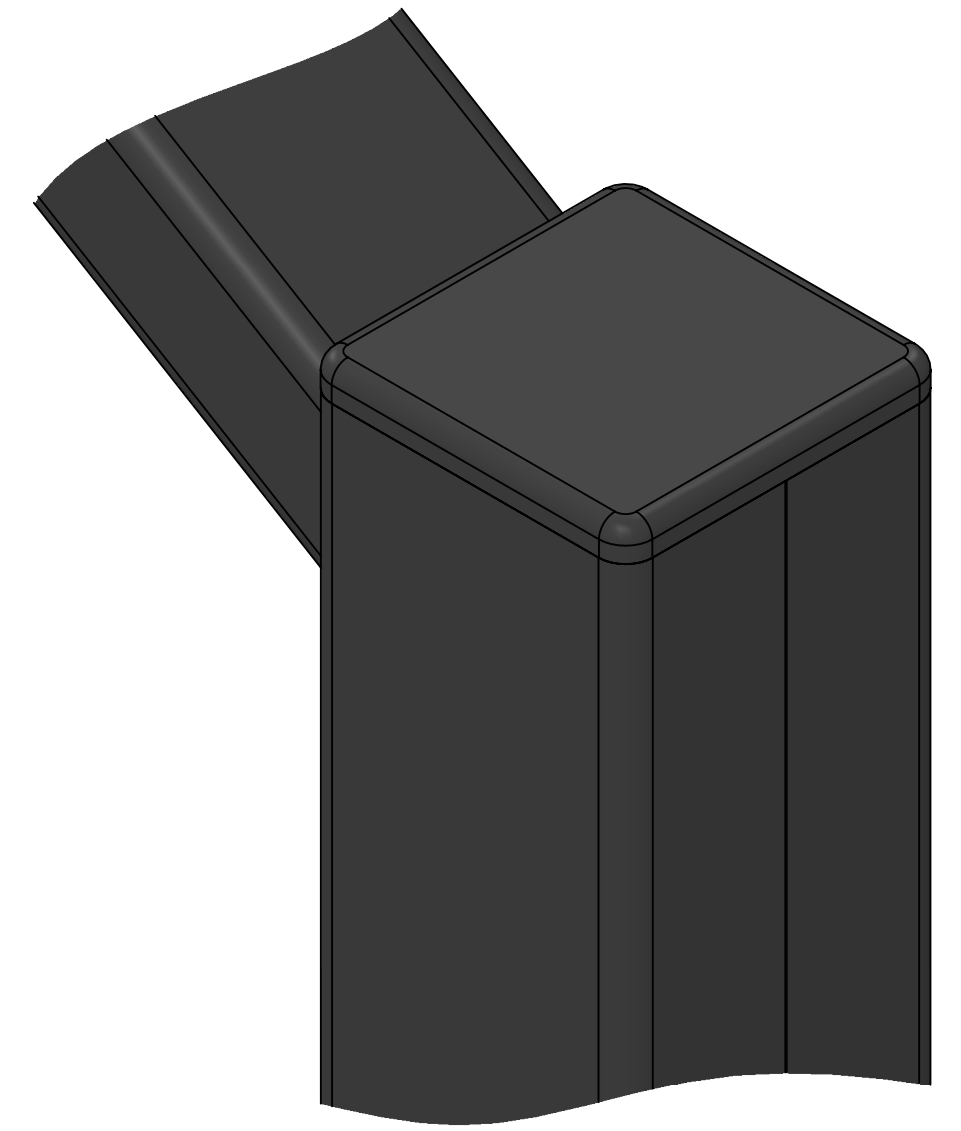
1

ITEM NO.	PART NUMBER	DESCRIPTION	QTY.
1	03-001-02x49-D0	TERMINAL POST UNDRILLED	1
2	983366	POST CAP-TERMINAL	1



03-001-02x49-D0

983366



PROPRIETARY AND CONFIDENTIAL

THE INFORMATION CONTAINED IN THIS DRAWING IS THE SOLE PROPERTY OF STAINLESS CABLE AND RAILING. ANY REPRODUCTION IN PART OR AS A WHOLE WITHOUT THE WRITTEN PERMISSION OF STAINLESS CABLE AND RAILING IS PROHIBITED.

NOTES: UNLESS OTHERWISE SPECIFIED

- DUAL DIMENSIONS SHOWN - INCHES [MM].
- MACHINED SURFACES TO BE 63µIN MAX.
- PART TO BE FREE OF BURRS AND SHARP EDGES.
- ALL MATERIAL TO BE CLEAN, DEGREASED AND FREE OF ALL IMPURITIES.
- ANY CHANGE MUST BE AUTHORIZED BY AN SC&R ENGINEER.

DIMENSIONS ARE IN INCHES	FRACTIONAL	±
ANGULAR: MACH		±
TWO PLACE DECIMAL		±
THREE PLACE DECIMAL		±
MATERIAL		
FINISH		

NAME	DATE
SCR	10/24/17
DRAWN	
ENG APPR.	
MFG APPR.	
COMMENTS:	

TITLE: CABLE RAILING POST - FASCIA MOUNT, TERMINAL		
SIZE C	DWG. NO. 734480	REV 01
SCALE: 1:1	WEIGHT:	SHEET 1 OF 1

4

3

2

1