

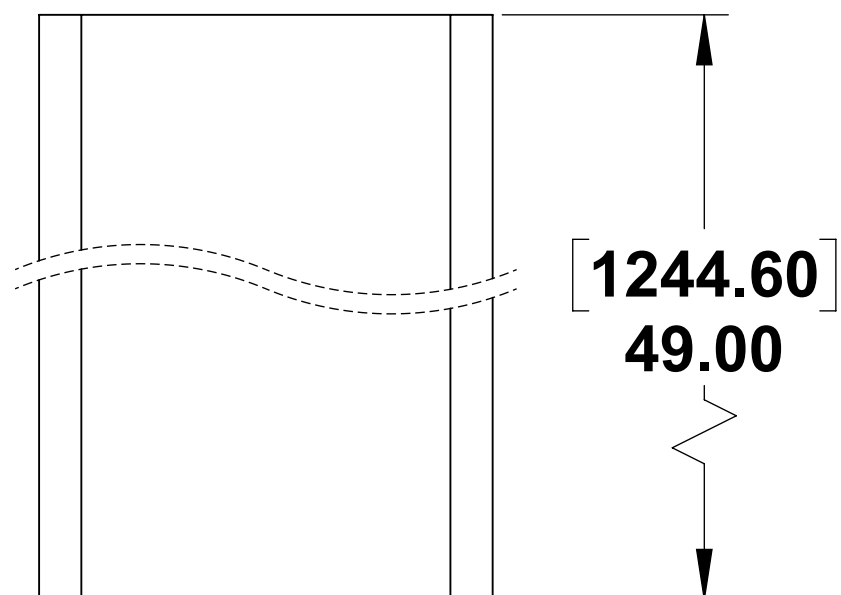
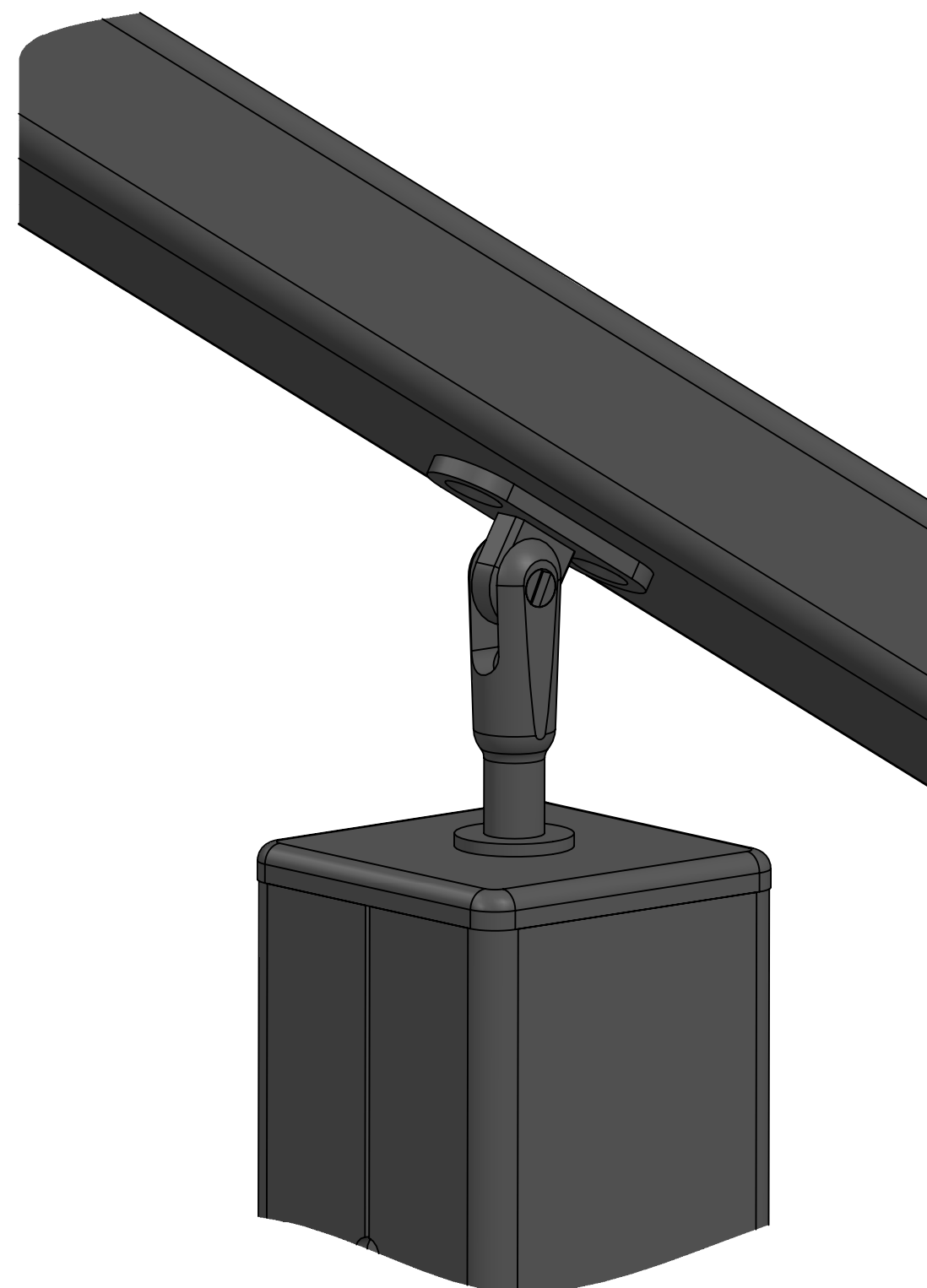
4

3

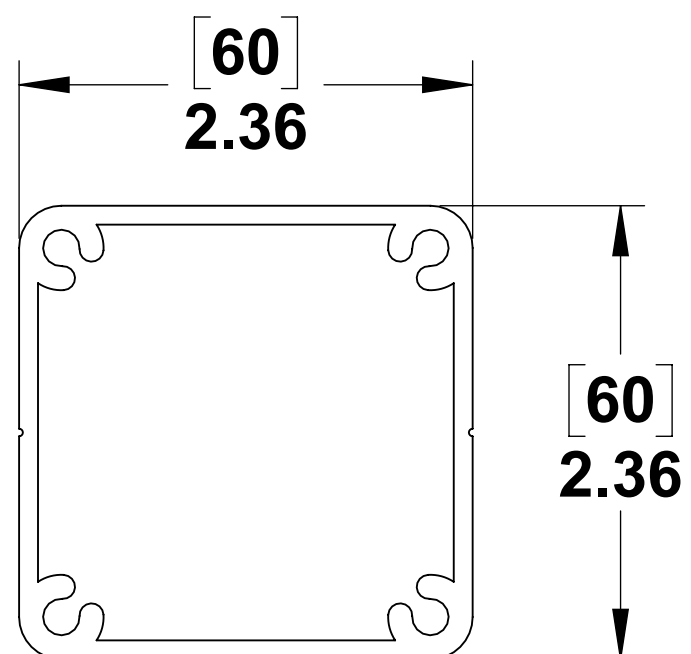
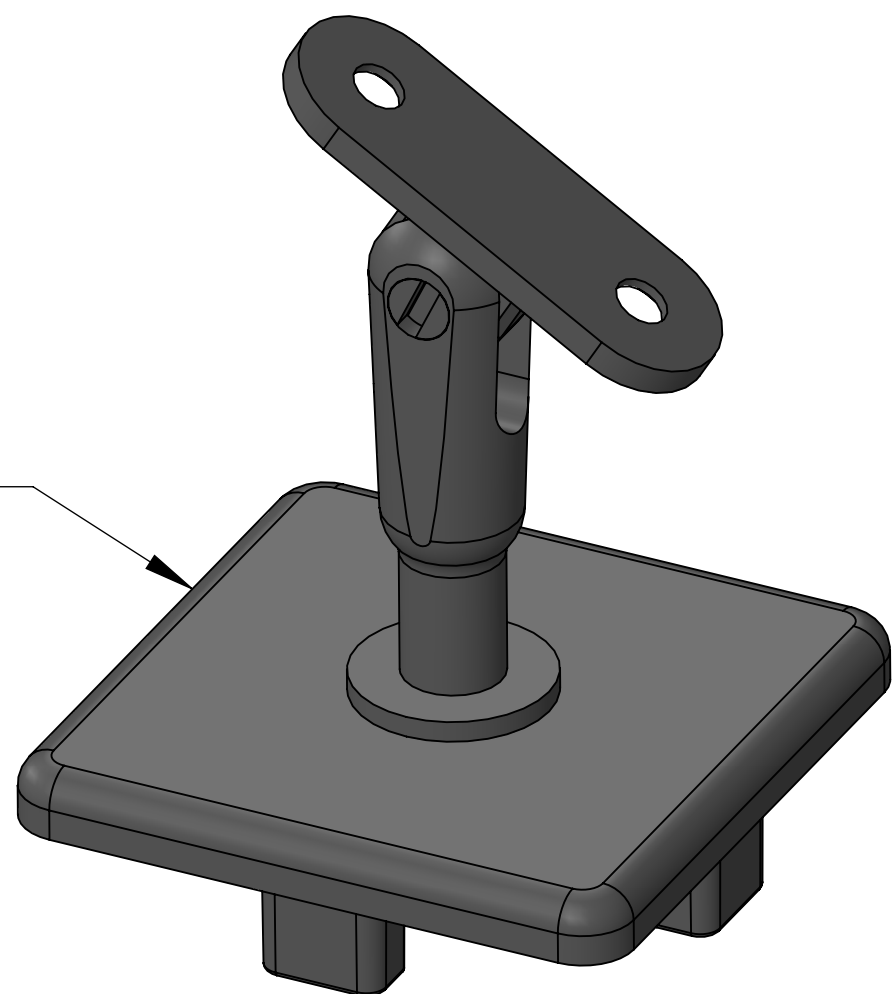
2

1

ITEM NO.	PART NUMBER	DESCRIPTION	QTY.
1	03-001-02x49-D1	FASCIA INTERMEDIATE POST	1
2	983014	POST-TO-POST HAND RAIL SADDLE BRACKET	1

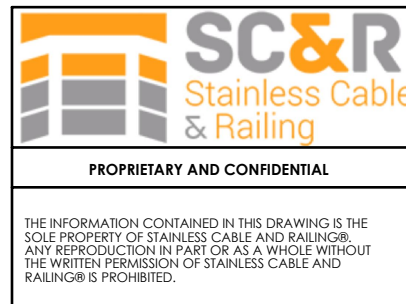
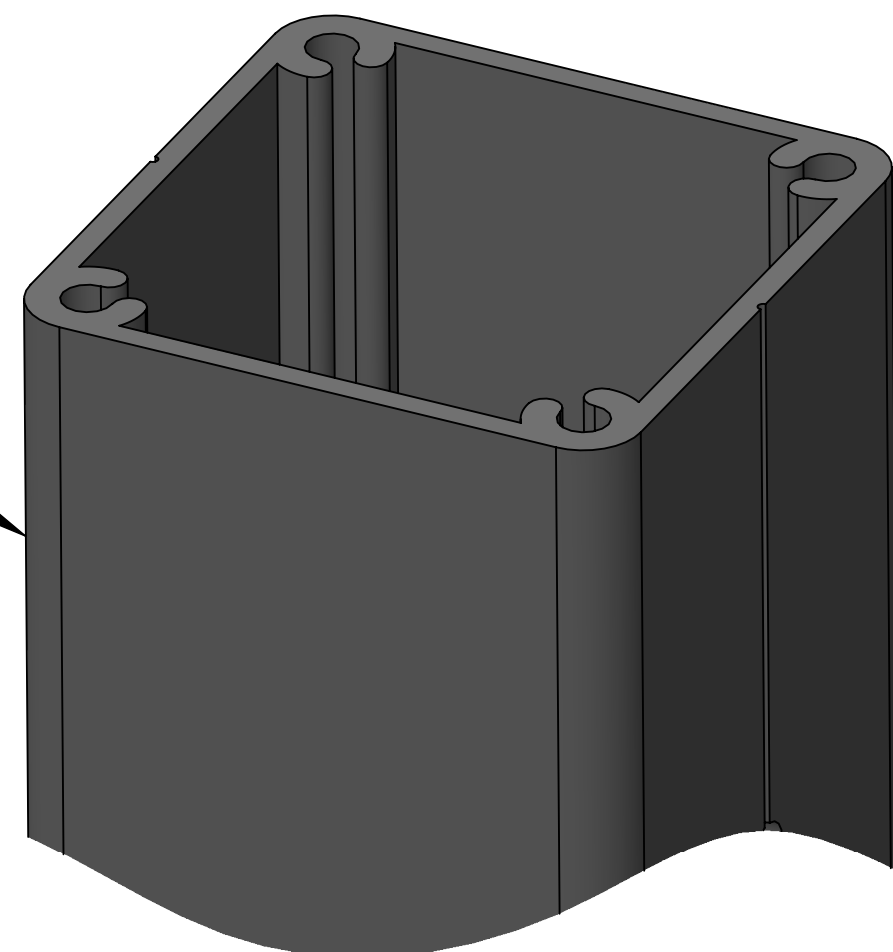


983014



03-001-02x49-D1

03-001-02x49-D1



NOTES: UNLESS OTHERWISE SPECIFIED

- DUAL DIMENSIONS SHOWN - INCHES [MM].
- MACHINED SURFACES TO BE 63µIN MAX.
- PART TO BE FREE OF BURRS AND SHARP EDGES.
- ALL MATERIAL TO BE CLEAN, DEGREASED AND FREE OF ALL IMPURITIES.
- ANY CHANGE MUST BE AUTHORIZED BY AN SC&R ENGINEER.

DIMENSIONS ARE IN INCHES	FRACTIONAL	±
ANGULAR: MACH	TWO PLACE DECIMAL	±
THREE PLACE DECIMAL		±
MATERIAL		
FINISH		

NAME	DATE
SCR	10/24/17
ENG APPR.	
MFG APPR.	
COMMENTS:	

TITLE: CABLE RAILING POST - FASCIA MOUNT, INTERMEDIATE		
SIZE C	DWG. NO. 734633	REV 01
SCALE: 1:16	WEIGHT:	SHEET 1 OF 1

4

3

2

1