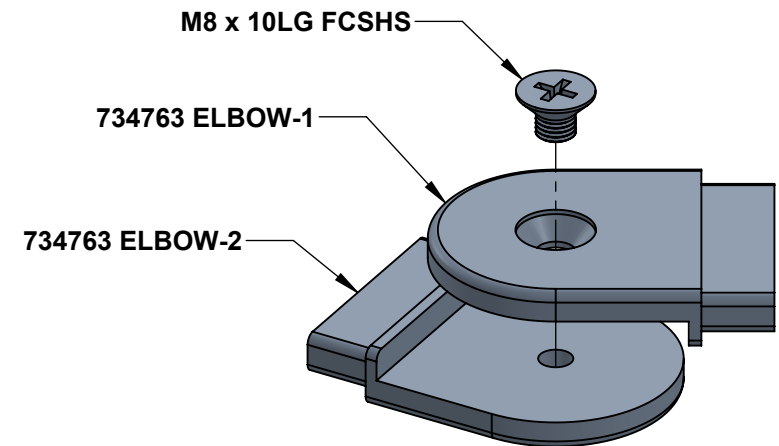
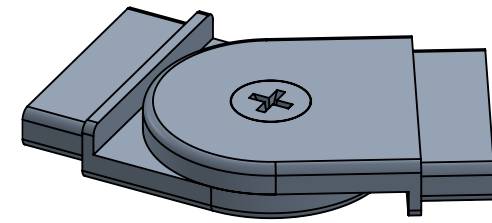
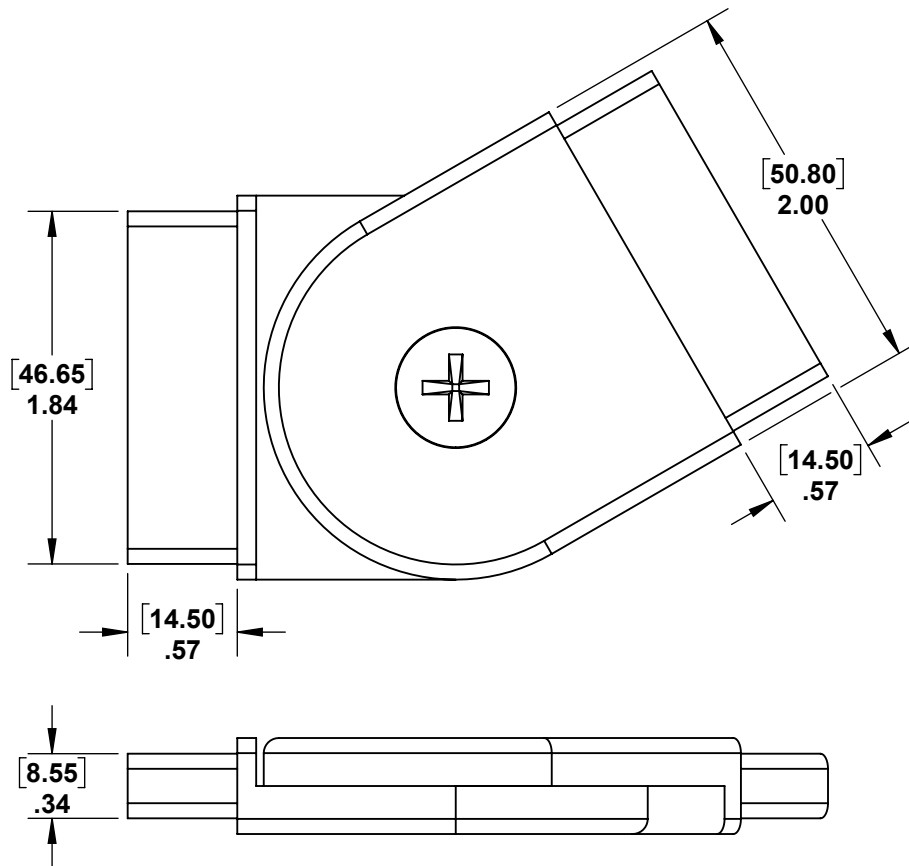


2

1

PART NUMBER	DESCRIPTION	QTY.
734763 ELBOW-1	FLAT SS ADJUSTABLE ELBOW	1
734763 ELBOW-2	FLAT SS ADJUSTABLE ELBOW	1
M8 x 10LG FCSHS	M8 x 10LG COUNTERSUNK HEAD SCREW	1



B

B

A

A



PROPRIETARY AND CONFIDENTIAL

THE INFORMATION CONTAINED IN THIS DRAWING IS THE SOLE PROPERTY OF STAINLESS CABLE AND RAILING®. ANY REPRODUCTION IN PART OR AS A WHOLE WITHOUT THE WRITTEN PERMISSION OF STAINLESS CABLE AND RAILING® IS PROHIBITED.

NOTES: UNLESS OTHERWISE SPECIFIED

- DIMENSIONS SHOWN - INCHES [MM].
- MACHINED SURFACES TO BE 63µIN MAX.
- PART TO BE FREE OF BURRS AND SHARP EDGES.
- ALL MATERIAL TO BE CLEAN, DEGREASED AND FREE OF ALL IMPURITIES.
- ANY CHANGE MUST BE AUTHORIZED BY AN SC&R ENGINEER.

DIMENSIONS ARE IN INCHES
 FRACTIONAL ±
 ANGULAR: MACH ±
 TWO PLACE DECIMAL ±
 THREE PLACE DECIMAL ±

MATERIAL

FINISH

	NAME	DATE
DRAWN	SCR	02/28/18
ENG APPR.		
MFG APPR.		

COMMENTS:

TITLE:
**FLAT STAINLESS STEEL
 ADJUSTABLE ELBOW
 FOR TOP RAIL**

SIZE	DWG. NO.	REV
A	734763	01
SCALE: 1:1	WEIGHT:	SHEET 1 OF 1

2

1