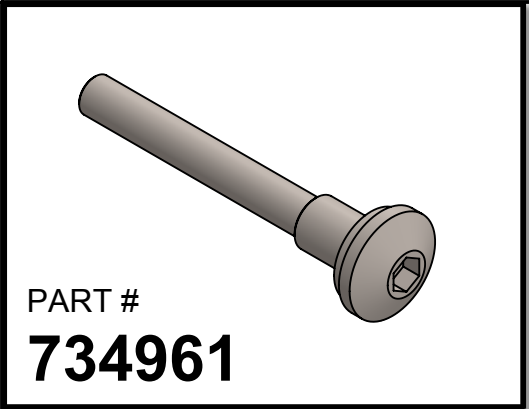
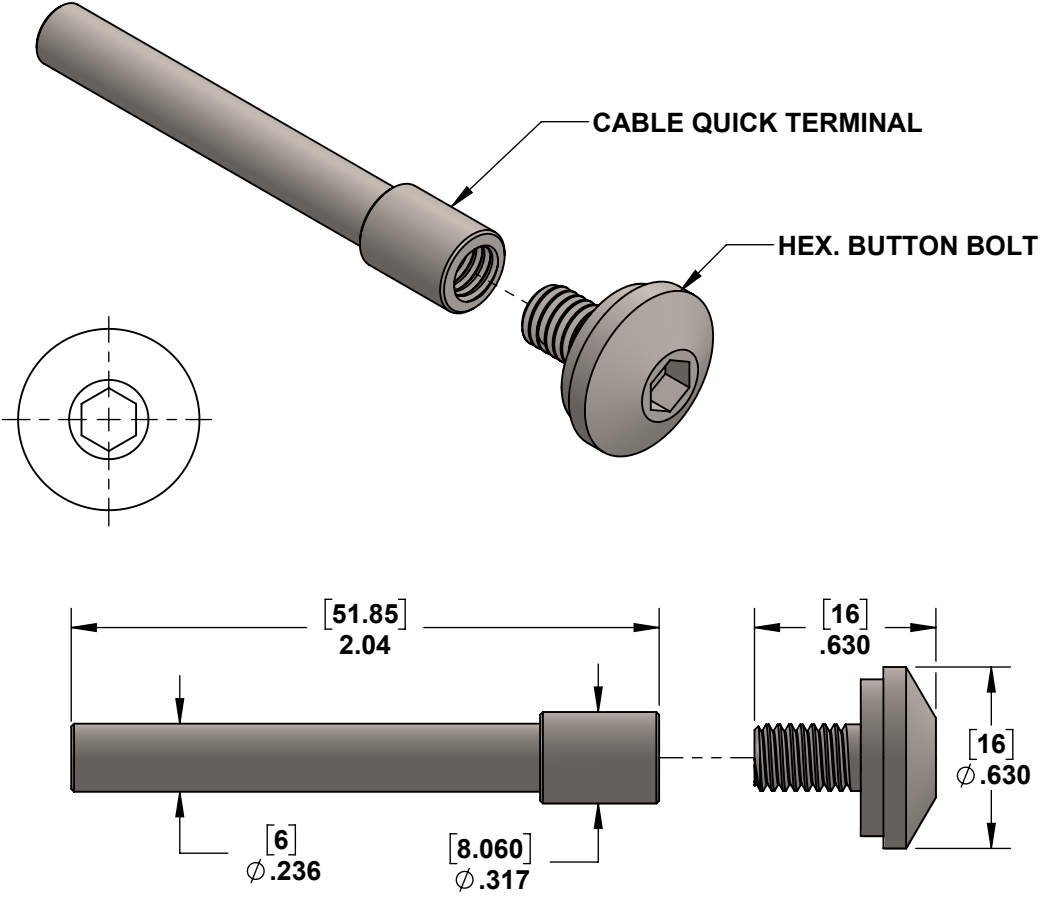
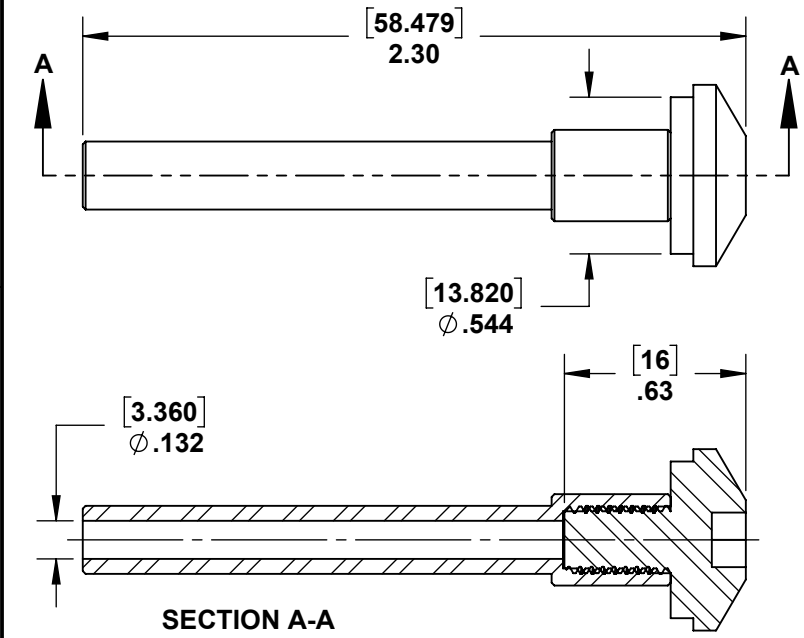


2

1



PIECES INCLUDED:	QTY.
CABLE QUICK TERMINAL	1
HEX. BUTTON BOLT	1



PROPRIETARY AND CONFIDENTIAL

THE INFORMATION CONTAINED IN THIS DRAWING IS THE SOLE PROPERTY OF STAINLESS CABLE AND RAILING®. ANY REPRODUCTION IN PART OR AS A WHOLE WITHOUT THE WRITTEN PERMISSION OF STAINLESS CABLE AND RAILING® IS PROHIBITED.

NOTES: UNLESS OTHERWISE SPECIFIED		NAME	DATE
1. DUAL DIMENSIONS SHOWN - INCHES [MM].	DIMENSIONS ARE IN INCHES FRACTIONAL $\pm$	DRAWN	SCR 02/21/18
2. MACHINED SURFACES TO BE 63uIN MAX.	ANGULAR: MACH $\pm$	ENG APPR.	
3. PART TO BE FREE OF BURRS AND SHARP EDGES.	TWO PLACE DECIMAL $\pm$	MFG APPR.	
4. ALL MATERIAL TO BE CLEAN, DEGREASED AND FREE OF ALL IMPURITIES.	THREE PLACE DECIMAL $\pm$	COMMENTS:	
5. ANY CHANGE MUST BE AUTHORIZED BY AN SC&R ENGINEER.	MATERIAL		
	FINISH		

TITLE:		
<b>CABLE QUICK TERMINAL - FOR METAL POSTS &amp; 1/8" CABLE</b>		
SIZE	DWG. NO.	REV
<b>A</b>	<b>734961</b>	<b>01</b>
SCALE: 3:2	WEIGHT:	SHEET 1 OF 1

2

1