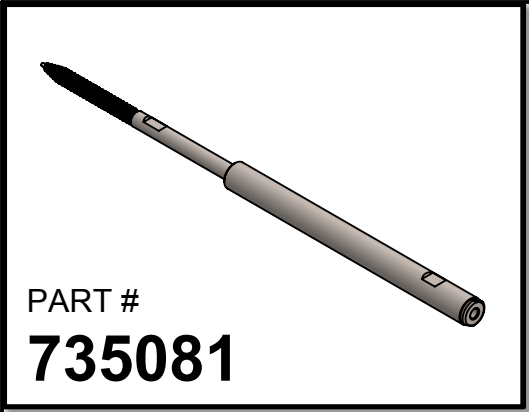


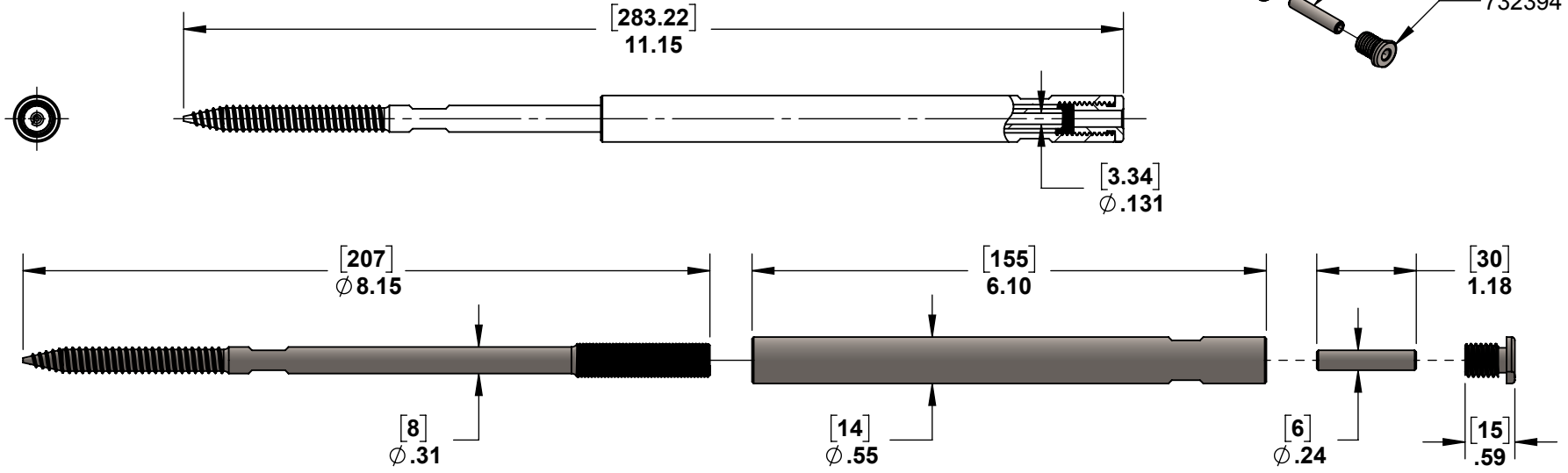
2

1



PART #  
**735081**

| PIECES INCLUDED:                            | QTY. |
|---|------|
| 732332 - LAG TENSIONER                      | 1    |
| 732394 - TENSIONER SLEEVE AND THREADED PLUG | 1    |
| 732240 - SWAGE FERRULE 1/8"                 | 1    |



A

A



PROPRIETARY AND CONFIDENTIAL

THE INFORMATION CONTAINED IN THIS DRAWING IS THE SOLE PROPERTY OF STAINLESS CABLE AND RAILING®. ANY REPRODUCTION IN PART OR AS A WHOLE WITHOUT THE WRITTEN PERMISSION OF STAINLESS CABLE AND RAILING® IS PROHIBITED.

| NOTES: UNLESS OTHERWISE SPECIFIED   |                          | NAME | DATE     |
|---|--------------------------|------|----------|
| 1. DUAL DIMENSIONS SHOWN - INCHES [MM].<br>2. MACHINED SURFACES TO BE 63uIN MAX.<br>3. PART TO BE FREE OF BURRS AND SHARP EDGES.<br>4. ALL MATERIAL TO BE CLEAN, DEGREASED AND FREE OF ALL IMPURITIES.<br>5. ANY CHANGE MUST BE AUTHORIZED BY AN SC&R ENGINEER. | DIMENSIONS ARE IN INCHES | SCR  | 02/20/18 |
|   | FRACTIONAL ±             |      |          |
|   | ANGULAR: MACH ±          |      |          |
|   | TWO PLACE DECIMAL ±      |      |          |
|   | THREE PLACE DECIMAL ±    |      |          |
| MATERIAL  | DRAWN                    |      |          |
| FINISH  | ENG APPR.                |      |          |
|   | MFG APPR.                |      |          |
|   | COMMENTS:                |      |          |

|   |                           |                  |
|---|---------------------------|------------------|
| TITLE:<br><b>FINELINE LAG TURNBUCKLE - FOR 1/8" CABLE RAILING</b> |                           |                  |
| SIZE<br><b>A</b>  | DWG. NO.<br><b>735081</b> | REV<br><b>01</b> |
| SCALE: 1:2  | WEIGHT:                   | SHEET 1 OF 1     |

2

1