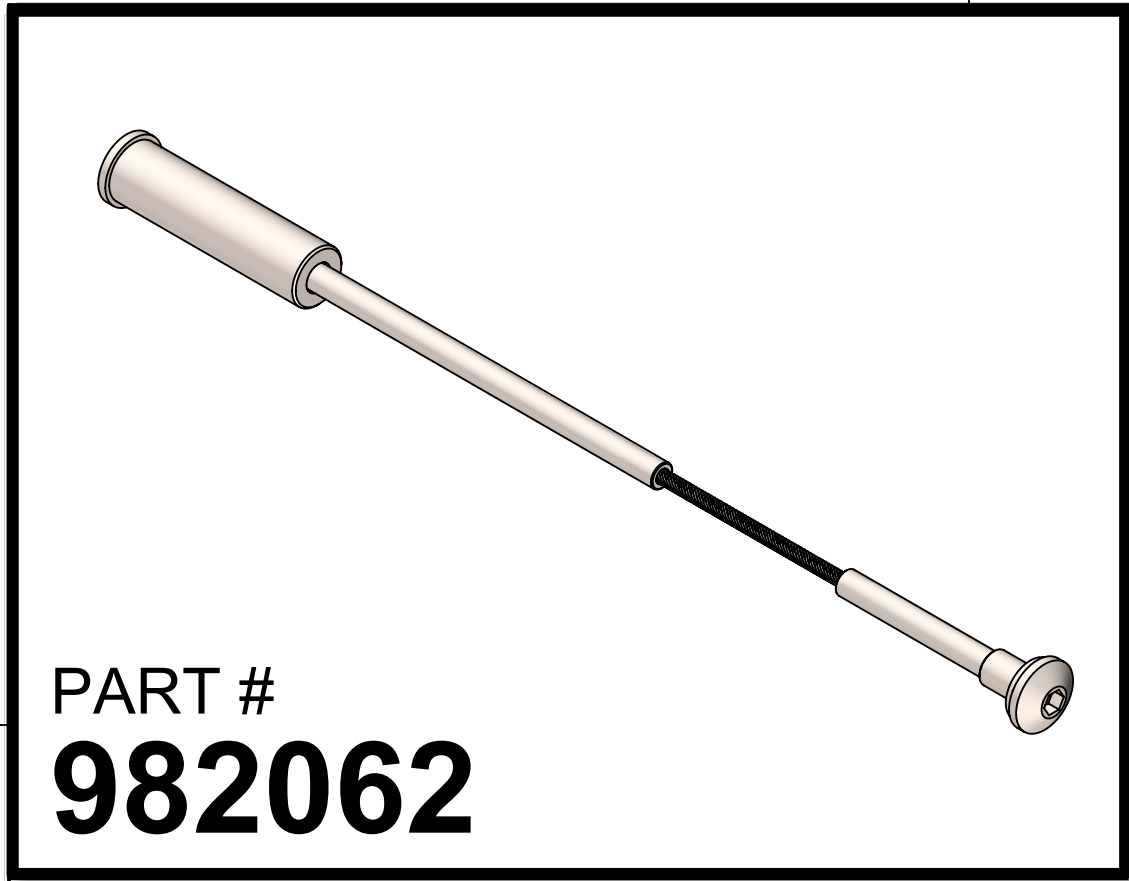


4

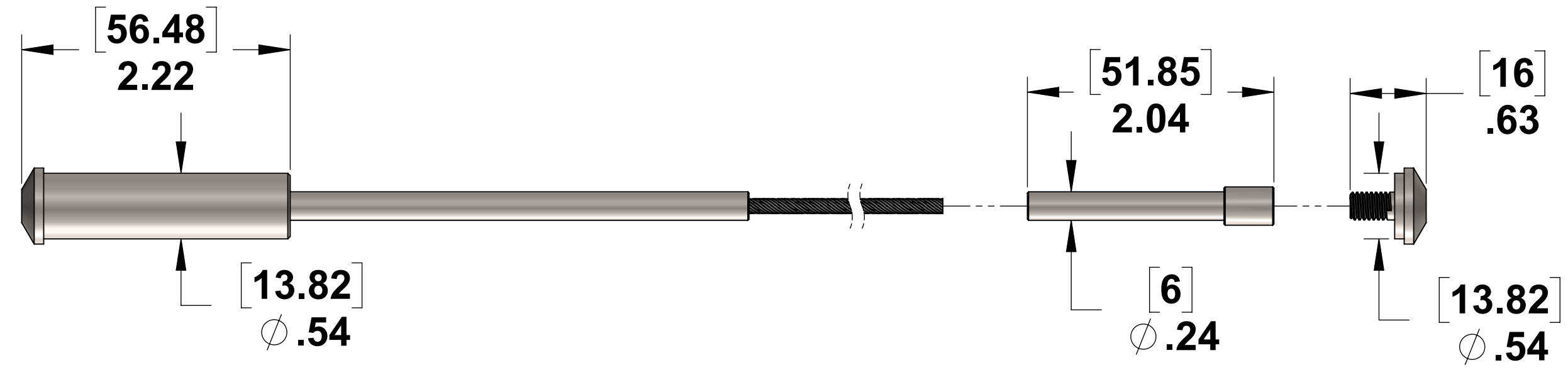
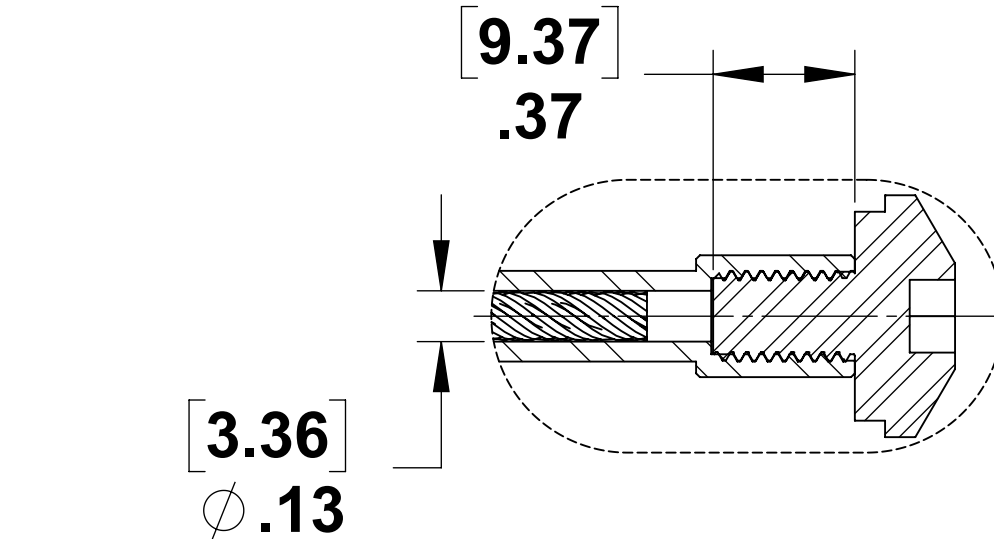
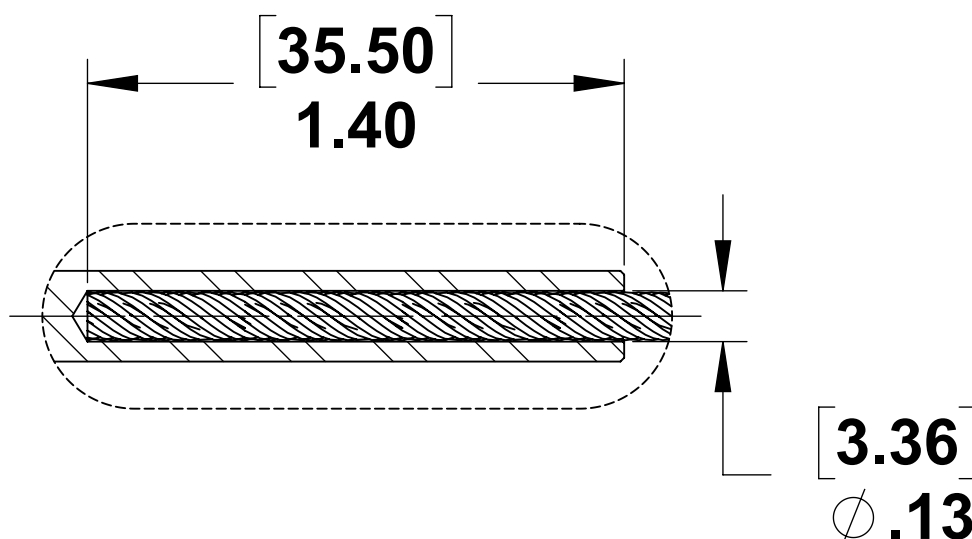
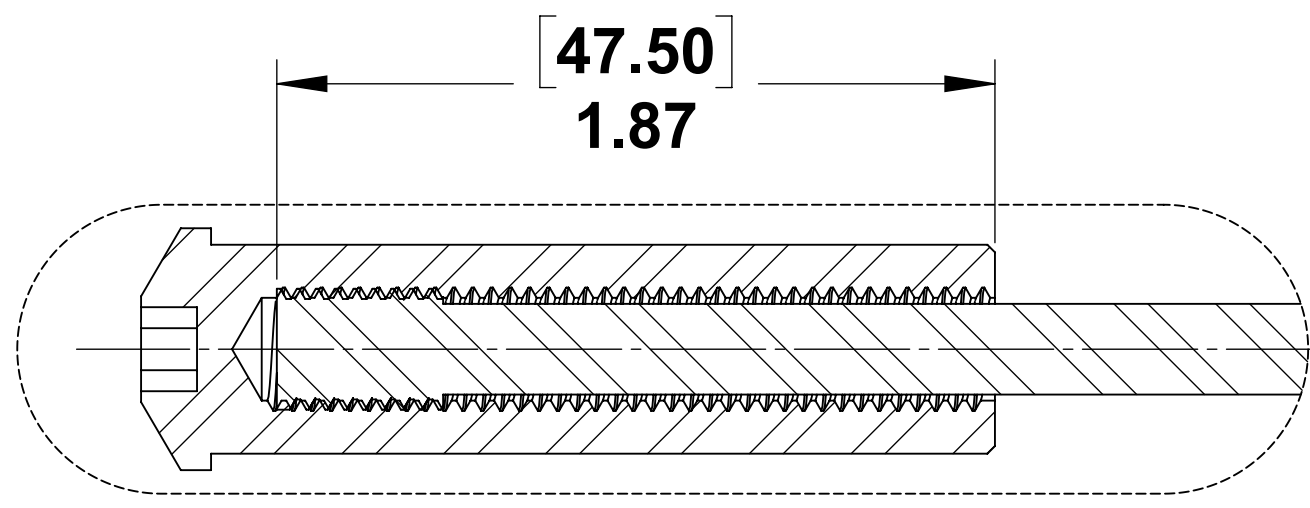
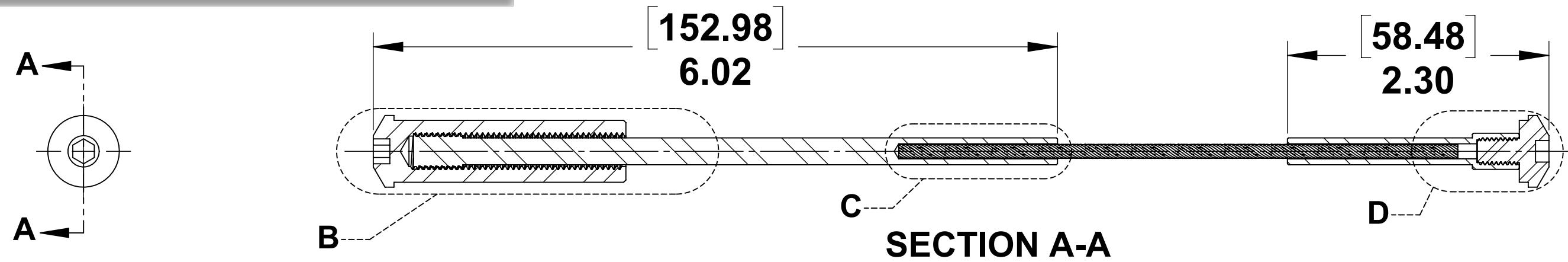
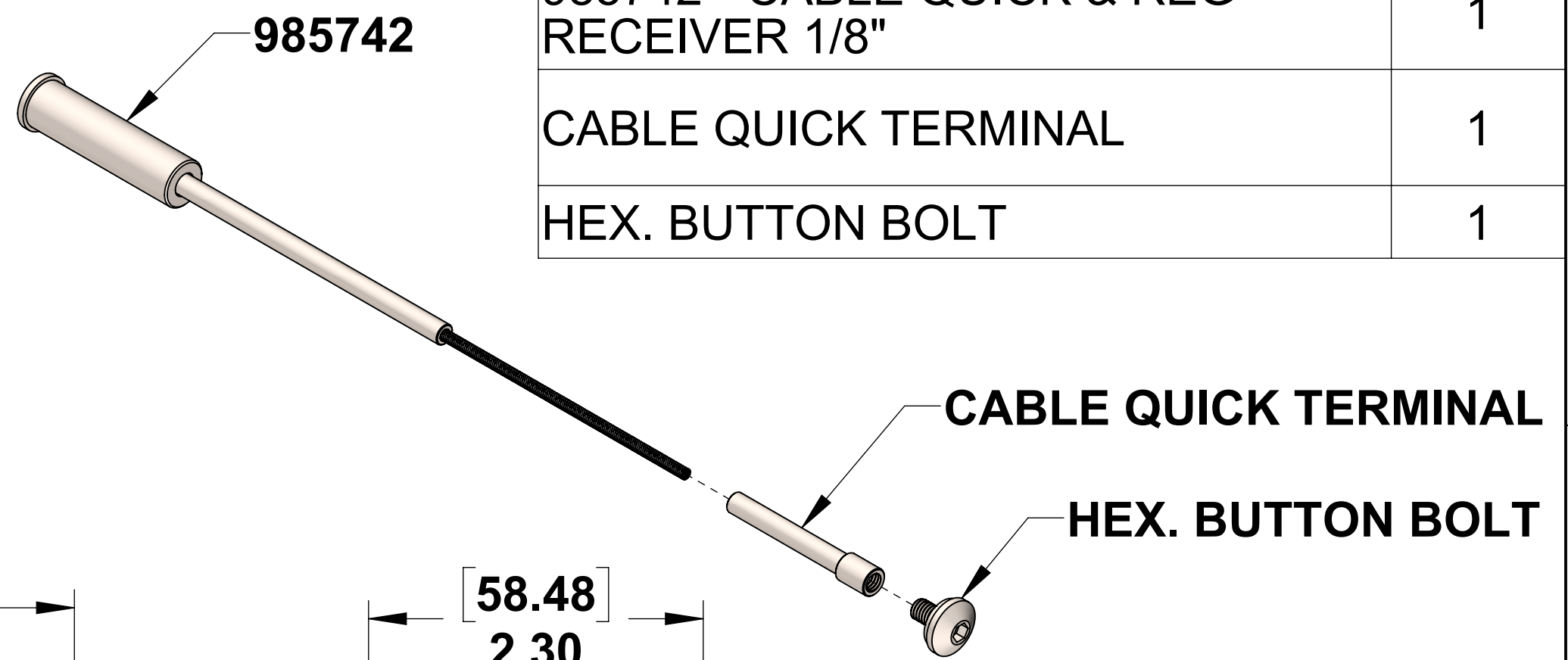
3

2

1



PIECES INCLUDED:	QTY.
985742 - CABLE QUICK & REG RECEIVER 1/8"	1
CABLE QUICK TERMINAL	1
HEX. BUTTON BOLT	1



**SC&R**  
Stainless Cable  
& Railing

PROPRIETARY AND CONFIDENTIAL

THE INFORMATION CONTAINED IN THIS DRAWING IS THE SOLE PROPERTY OF STAINLESS CABLE AND RAILING. ANY REPRODUCTION IN PART OR AS A WHOLE WITHOUT THE WRITTEN PERMISSION OF STAINLESS CABLE AND RAILING IS PROHIBITED.

NOTES - UNLESS OTHERWISE SPECIFIED

- DUAL DIMENSIONS SHOWN - INCHES [MM].
- MACHINED SURFACES TO BE 63µIN MAX.
- PART TO BE FREE OF BURRS AND SHARP EDGES.
- ALL MATERIAL TO BE CLEAN, DEGREASED AND FREE OF ALL IMPURITIES.
- ANY CHANGE MUST BE AUTHORIZED BY AN SC&R ENGINEER.

DIMENSIONS ARE IN INCHES  
FRACTIONAL: ±  
ANGULAR: MACH ±  
TWO PLACE DECIMAL ±  
THREE PLACE DECIMAL ±

MATERIAL: \_\_\_\_\_  
FINISH: \_\_\_\_\_

NAME	DATE
SCR	03/31/18
DRAWN	
ENG APPR.	
MFG APPR.	
COMMENTS:	

TITLE: <b>LOW PROFILE BUTTON ASSEMBLY METAL SLPB-L FOR 1/8" CABLE RAILING</b>		
SIZE <b>C</b>	DWG. NO. <b>982062</b>	REV <b>01</b>
SCALE: 1:1	WEIGHT:	SHEET 1 OF 1

4

3

2

1