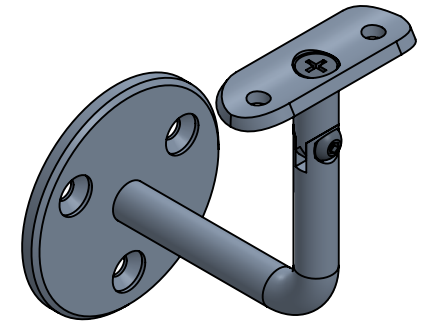


2

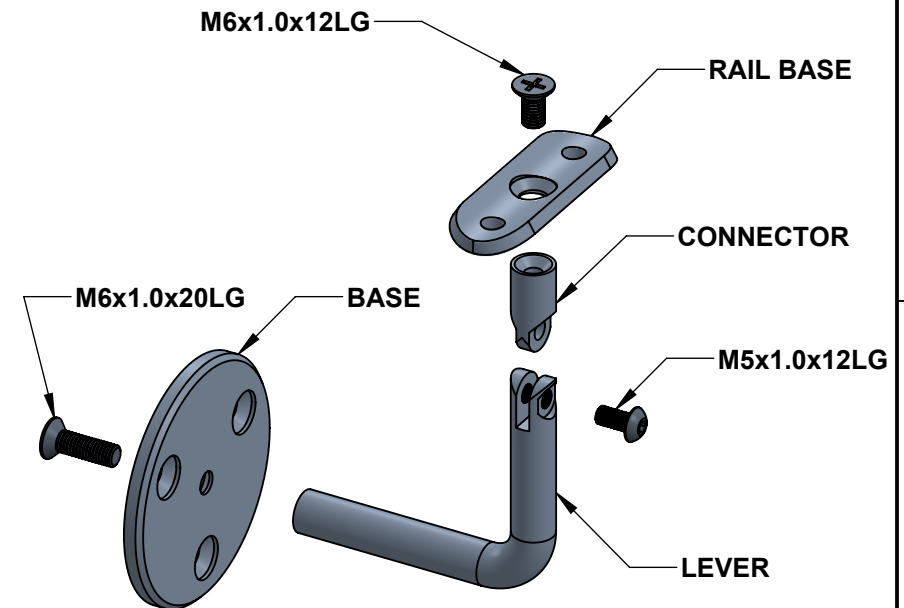
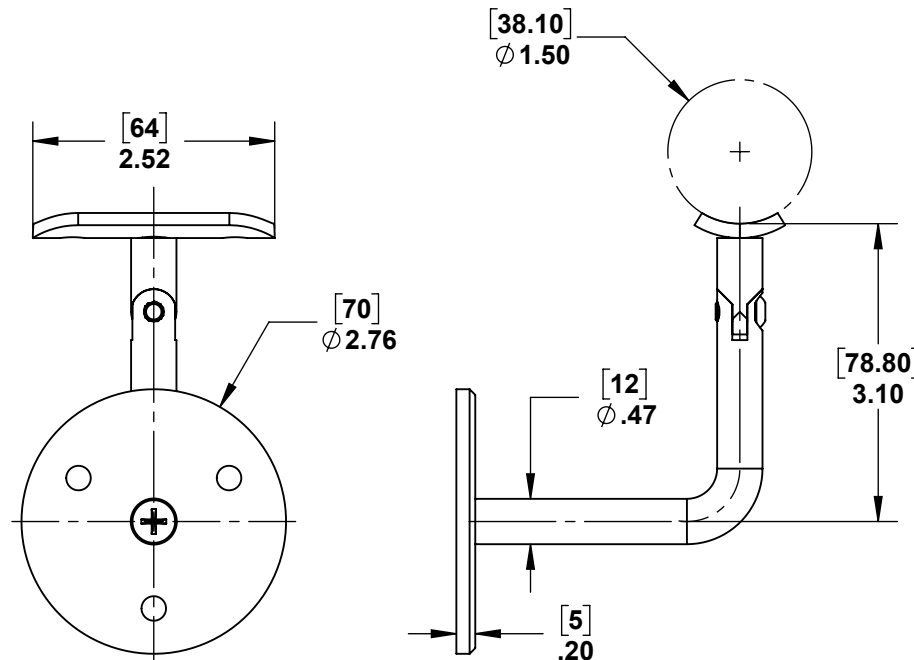
1

PART NUMBER	DESCRIPTION	QTY.
BASE	BASE	1
CONNECTOR	CONNECTOR	1
LEVER	LEVER	1
RAIL BASE	RAIL BASE	1
M6x1.0x20LG	M6x1.0x20LG FLAT HEAD SCREW	1
M5x1.0x12LG	M5x1.0x12LG BUTTON HEAD SOCKET SCREW	1
M6x1.0x12LG	M6x1.0x12LG FLAT HEAD SCREW	1



B

B



A

A



PROPRIETARY AND CONFIDENTIAL

THE INFORMATION CONTAINED IN THIS DRAWING IS THE SOLE PROPERTY OF STAINLESS CABLE AND RAILING®. ANY REPRODUCTION IN PART OR AS A WHOLE WITHOUT THE WRITTEN PERMISSION OF STAINLESS CABLE AND RAILING® IS PROHIBITED.

NOTES: UNLESS OTHERWISE SPECIFIED

- DIMENSIONS SHOWN - INCHES [MM].
- MACHINED SURFACES TO BE 63UIN MAX.
- PART TO BE FREE OF BURRS AND SHARP EDGES.
- ALL MATERIAL TO BE CLEAN, DEGREASED AND FREE OF ALL IMPURITIES.
- ANY CHANGE MUST BE AUTHORIZED BY AN SC&R ENGINEER.

DIMENSIONS ARE IN INCHES	
FRACTIONAL	±
ANGULAR: MACH	±
TWO PLACE DECIMAL	±
THREE PLACE DECIMAL	±
MATERIAL	
FINISH	

	NAME	DATE
DRAWN	SCR	02/28/18
ENG APPR.		
MFG APPR.		
COMMENTS:		

TITLE: STAINLESS STEEL ROUND 1.5" WALL SADDLE		
SIZE A	DWG. NO. 982192	REV 01
SCALE: 1:2	WEIGHT:	SHEET 1 OF 1

2

1