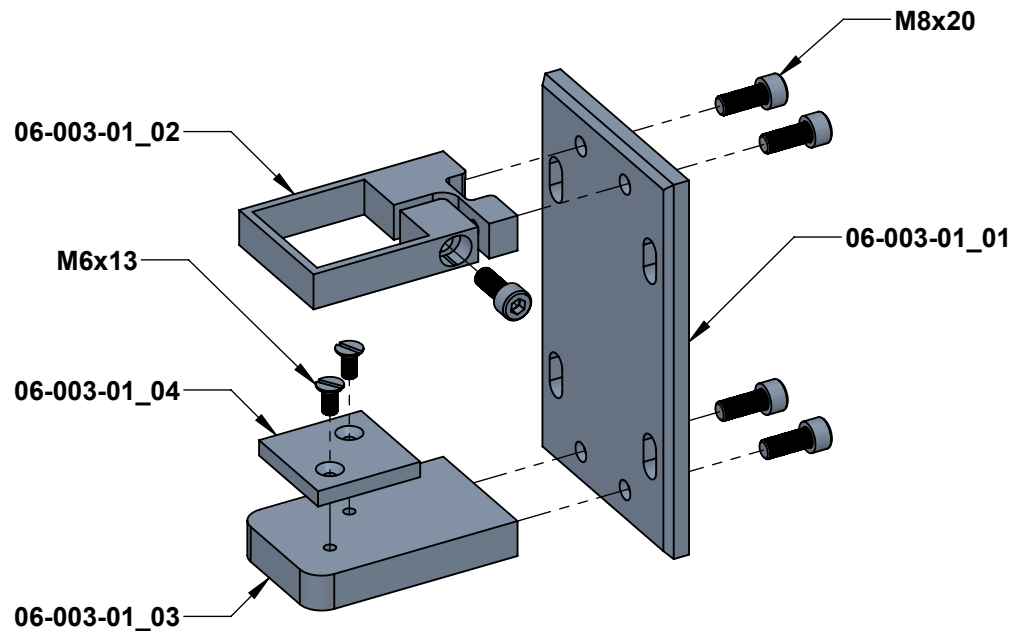
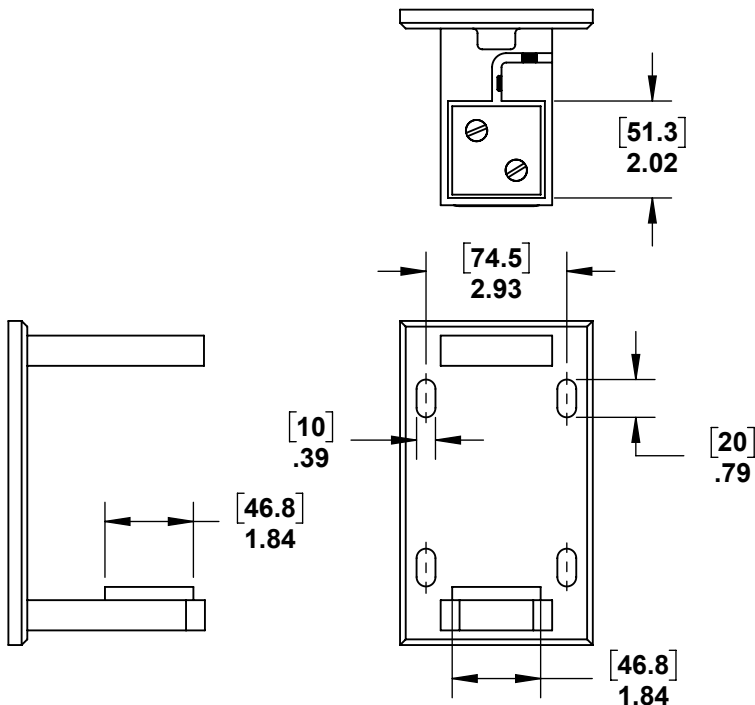
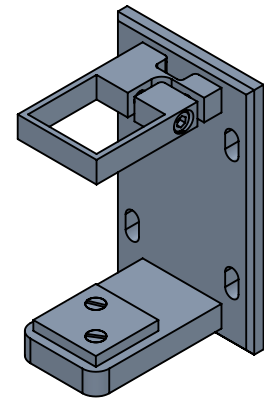


2

1

PART NUMBER	DESCRIPTION	QTY.
06-003-01_01	PLATE	1
06-003-01-02	RETAINER	1
06-003-01_03	BASE	1
06-003-01_04	INTERMEDIATE POST HOLDER	1
M8x20	M8x20 LG.	5
M6x13	M6x13 LG.	2



B

B

A

A



**PROPRIETARY AND CONFIDENTIAL**

THE INFORMATION CONTAINED IN THIS DRAWING IS THE SOLE PROPERTY OF STAINLESS CABLE AND RAILING®. ANY REPRODUCTION IN PART OR AS A WHOLE WITHOUT THE WRITTEN PERMISSION OF STAINLESS CABLE AND RAILING® IS PROHIBITED.

NOTES: UNLESS OTHERWISE SPECIFIED		NAME	DATE
1. DIMENSIONS SHOWN - INCHES [MM]. 2. MACHINED SURFACES TO BE 63uIN MAX. 3. PART TO BE FREE OF BURRS AND SHARP EDGES. 4. ALL MATERIAL TO BE CLEAN, DEGREASED AND FREE OF ALL IMPURITIES. 5. ANY CHANGE MUST BE AUTHORIZED BY AN SC&R ENGINEER.	DIMENSIONS ARE IN INCHES	SCR	03/27/18
	FRACTIONAL ±	ENG APPR.	
	ANGULAR: MACH ±	MFG APPR.	
	TWO PLACE DECIMAL ±	COMMENTS:	
	THREE PLACE DECIMAL ±		
MATERIAL			
FINISH			

TITLE: <b>STAINLESS STEEL SQUARE FASCIA MOUNT INTERMEDIATE POST BRACKET</b>		
SIZE	DWG. NO.	REV
<b>A</b>	<b>982215</b>	<b>01</b>
SCALE: 1:3	WEIGHT:	SHEET 1 OF 1

2

1