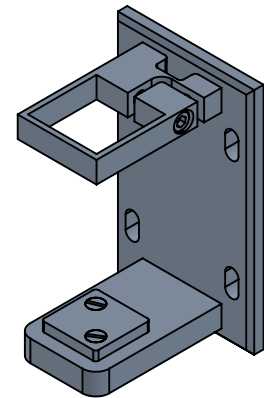


2

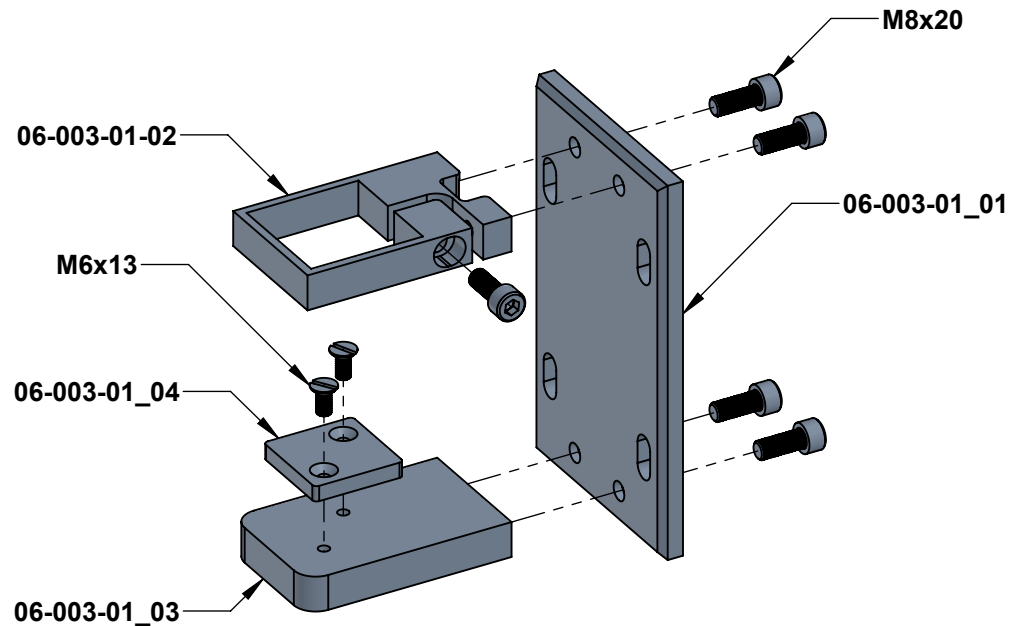
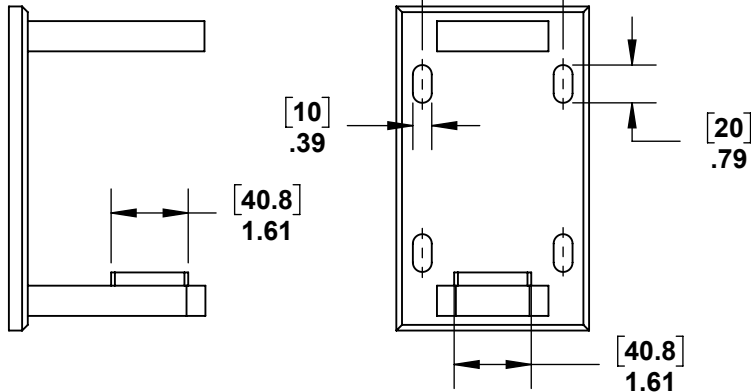
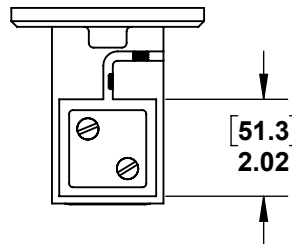
1

PART NUMBER	DESCRIPTION	QTY.
06-003-01_01	PLATE	1
06-003-01_03	BASE	1
06-003-01-02	RETAINER	1
06-003-01_04	TERMINAL POST HOLDER	1
M8x20	M8x20 LG.	5
M6x13	M6x13 LG.	2



B

B



A

A



PROPRIETARY AND CONFIDENTIAL

THE INFORMATION CONTAINED IN THIS DRAWING IS THE SOLE PROPERTY OF STAINLESS CABLE AND RAILING®. ANY REPRODUCTION IN PART OR AS A WHOLE WITHOUT THE WRITTEN PERMISSION OF STAINLESS CABLE AND RAILING® IS PROHIBITED.

NOTES: UNLESS OTHERWISE SPECIFIED

- DIMENSIONS SHOWN - INCHES [MM].
- MACHINED SURFACES TO BE 63µIN MAX.
- PART TO BE FREE OF BURRS AND SHARP EDGES.
- ALL MATERIAL TO BE CLEAN, DEGREASED AND FREE OF ALL IMPURITIES.
- ANY CHANGE MUST BE AUTHORIZED BY AN SC&R ENGINEER.

DIMENSIONS ARE IN INCHES  
 FRACTIONAL ±  
 ANGULAR: MACH ±  
 TWO PLACE DECIMAL ±  
 THREE PLACE DECIMAL ±

MATERIAL

FINISH

	NAME	DATE
DRAWN	SCR	03/27/18
ENG APPR.		
MFG APPR.		

COMMENTS:

TITLE:  
**STAINLESS STEEL SQUARE FASCIA MOUNT TERMINAL POST BRACKET**

SIZE	DWG. NO.	REV
<b>A</b>	<b>982222</b>	<b>01</b>
SCALE: 1:3	WEIGHT:	SHEET 1 OF 1

2

1