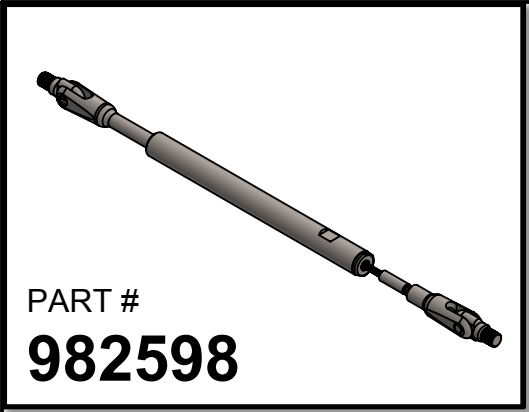


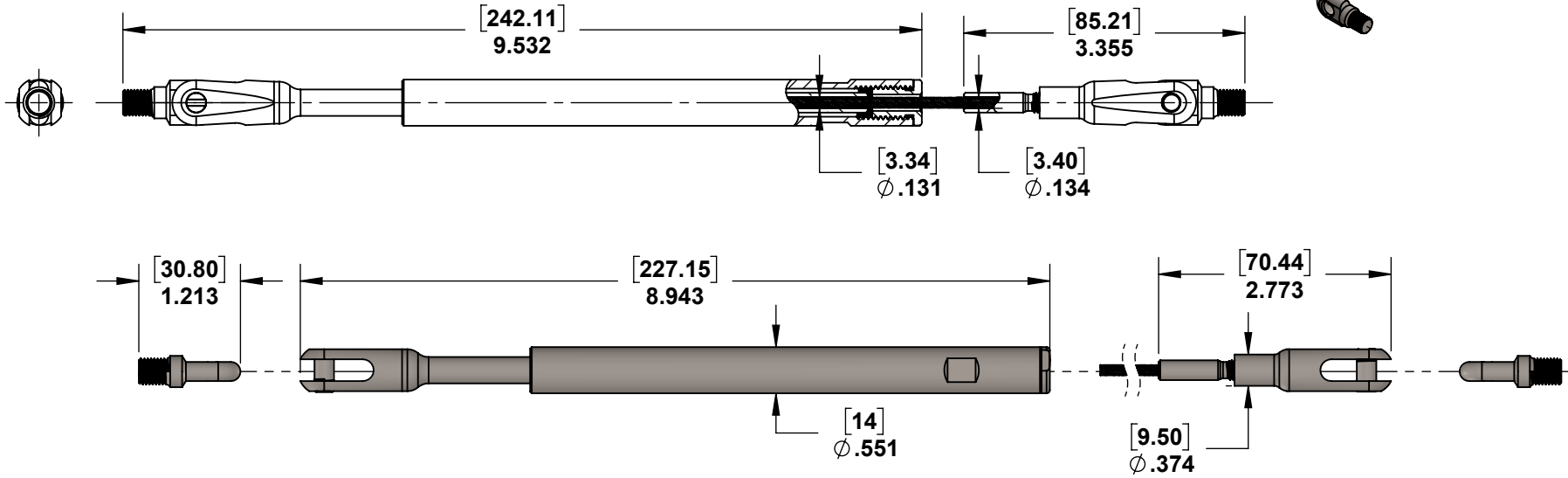
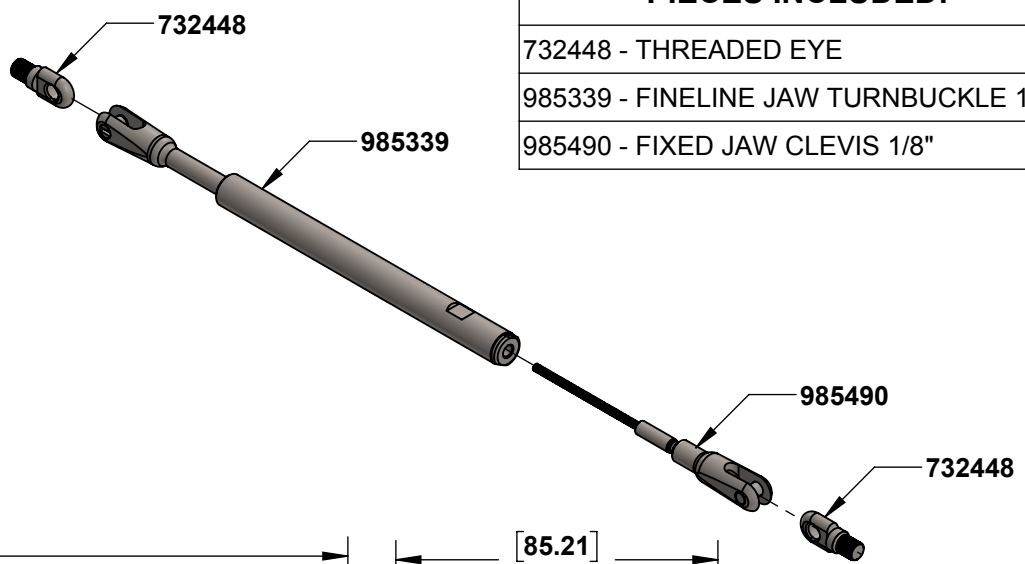
2

1



PART #
982598

PIECES INCLUDED:	QTY.
732448 - THREADED EYE	2
985339 - FINELINE JAW TURNBUCKLE 1/8"	1
985490 - FIXED JAW CLEVIS 1/8"	1



A

A



PROPRIETARY AND CONFIDENTIAL

THE INFORMATION CONTAINED IN THIS DRAWING IS THE SOLE PROPERTY OF STAINLESS CABLE AND RAILING®. ANY REPRODUCTION IN PART OR AS A WHOLE WITHOUT THE WRITTEN PERMISSION OF STAINLESS CABLE AND RAILING® IS PROHIBITED.

NOTES: UNLESS OTHERWISE SPECIFIED		NAME	DATE
1. DUAL DIMENSIONS SHOWN - INCHES [MM]. 2. MACHINED SURFACES TO BE 63uIN MAX. 3. PART TO BE FREE OF BURRS AND SHARP EDGES. 4. ALL MATERIAL TO BE CLEAN, DEGREASED AND FREE OF ALL IMPURITIES. 5. ANY CHANGE MUST BE AUTHORIZED BY AN SC&R ENGINEER.	DIMENSIONS ARE IN INCHES	SCR	02/20/18
	FRACTIONAL ±		
	ANGULAR: MACH ±		
	TWO PLACE DECIMAL ±		
	THREE PLACE DECIMAL ±		
MATERIAL	COMMENTS:		
FINISH			

TITLE:		
FINELINE JAW / METAL ASSEMBLY - FOR 1/8" CABLE RAILING		
SIZE	DWG. NO.	REV
A	982598	01
SCALE: 1:2	WEIGHT:	SHEET 1 OF 1

2

1