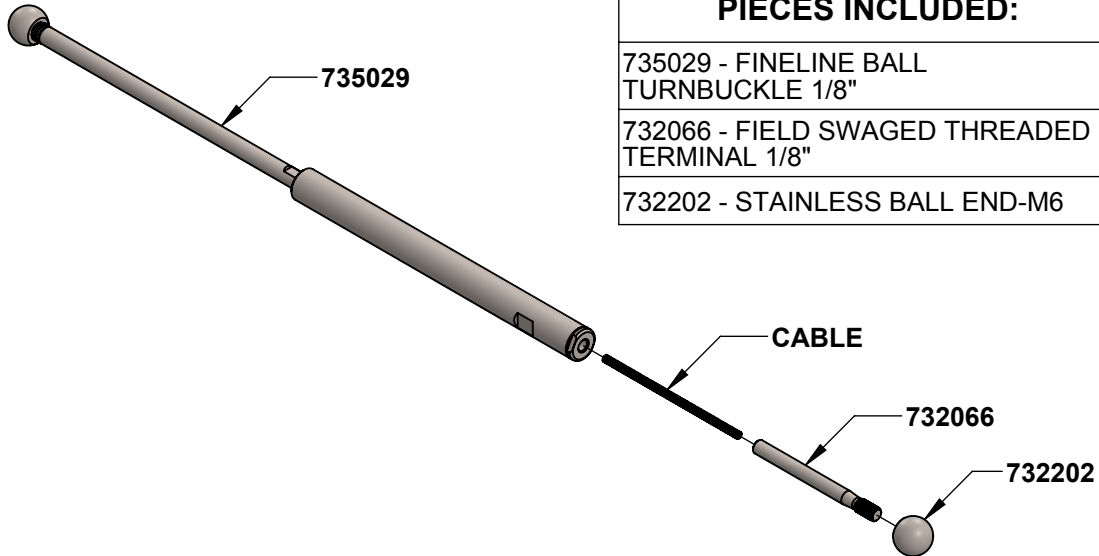
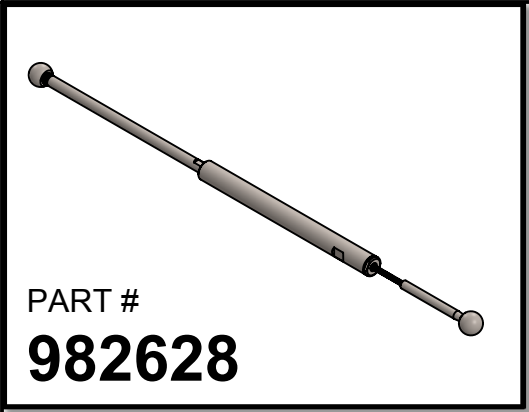
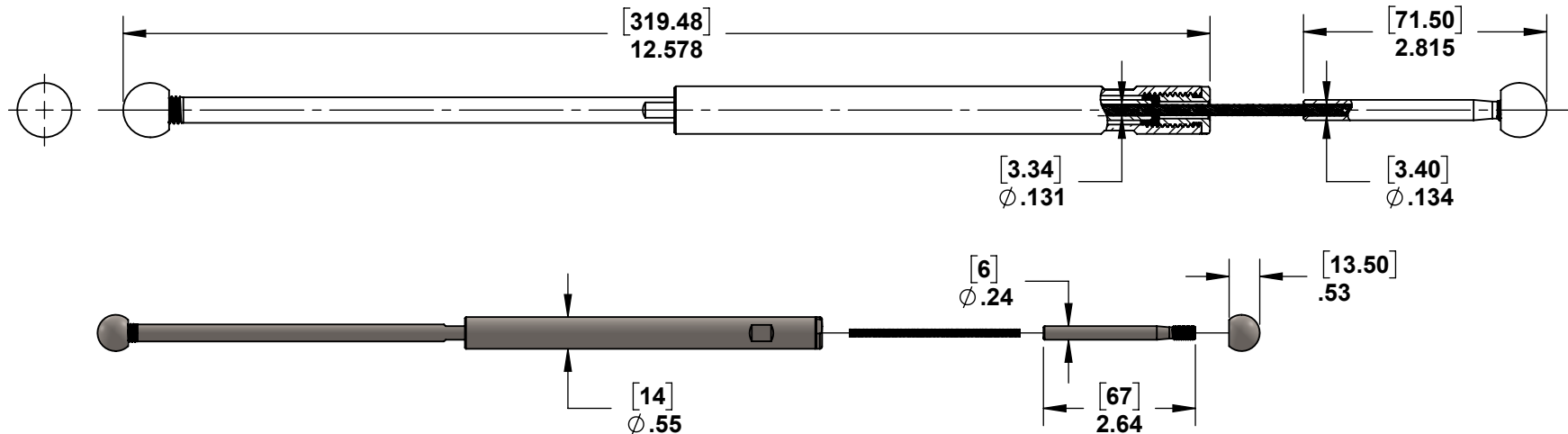


2

1



PIECES INCLUDED:	QTY.
735029 - FINELINE BALL TURNBUCKLE 1/8"	1
732066 - FIELD SWAGED THREADED TERMINAL 1/8"	1
732202 - STAINLESS BALL END-M6	1



A

A



PROPRIETARY AND CONFIDENTIAL

THE INFORMATION CONTAINED IN THIS DRAWING IS THE SOLE PROPERTY OF STAINLESS CABLE AND RAILING®. ANY REPRODUCTION IN PART OR AS A WHOLE WITHOUT THE WRITTEN PERMISSION OF STAINLESS CABLE AND RAILING® IS PROHIBITED.

NOTES: UNLESS OTHERWISE SPECIFIED	
1. DUAL DIMENSIONS SHOWN - INCHES [MM].	DIMENSIONS ARE IN INCHES FRACTIONAL \pm
2. MACHINED SURFACES TO BE 63uIN MAX.	ANGULAR: MACH \pm
3. PART TO BE FREE OF BURRS AND SHARP EDGES.	TWO PLACE DECIMAL \pm
4. ALL MATERIAL TO BE CLEAN, DEGREASED AND FREE OF ALL IMPURITIES.	THREE PLACE DECIMAL \pm
5. ANY CHANGE MUST BE AUTHORIZED BY AN SC&R ENGINEER.	MATERIAL
	FINISH

	NAME	DATE
DRAWN	SCR	02/20/18
ENG APPR.		
MFG APPR.		
COMMENTS:		

TITLE:		
FINELINE BALL ASSEMBLY - FOR 1/8" CABLE RAILING		
SIZE	DWG. NO.	REV
A	982628	01
SCALE: 1:2	WEIGHT:	SHEET 1 OF 1

2

1