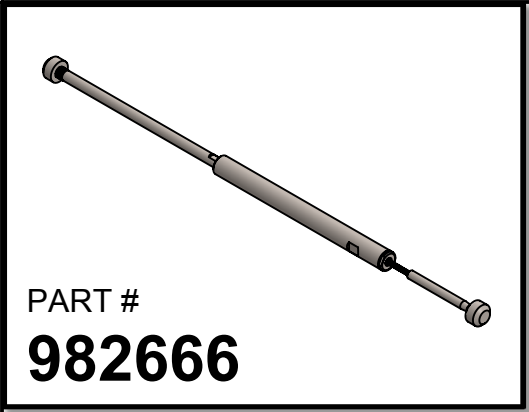
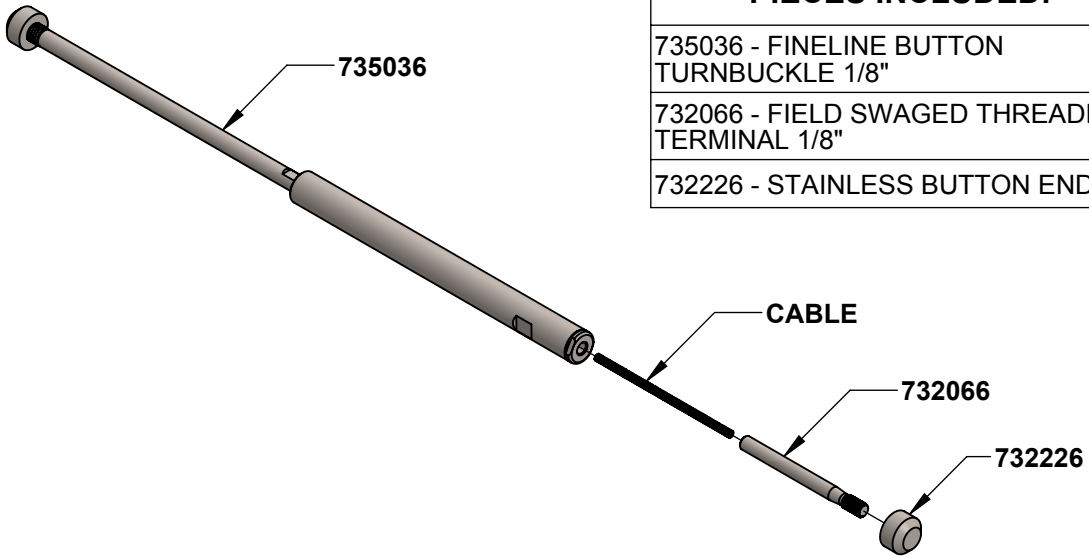


2

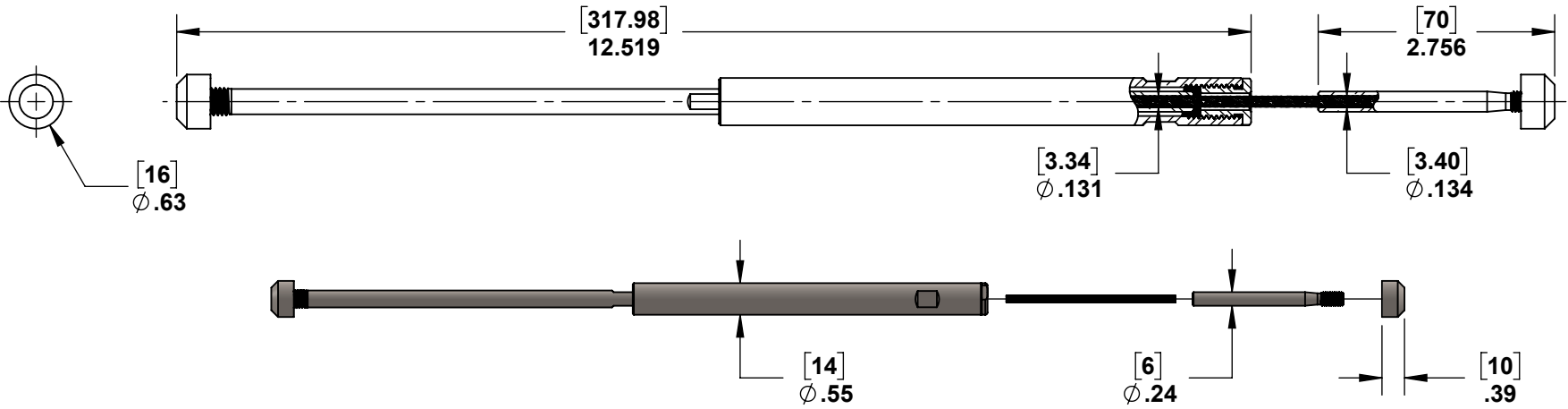
1



PART #  
**982666**



PIECES INCLUDED:	QTY.
735036 - FINELINE BUTTON TURNBUCKLE 1/8"	1
732066 - FIELD SWAGED THREADED TERMINAL 1/8"	1
732226 - STAINLESS BUTTON END	1



A

A



PROPRIETARY AND CONFIDENTIAL

THE INFORMATION CONTAINED IN THIS DRAWING IS THE SOLE PROPERTY OF STAINLESS CABLE AND RAILING®. ANY REPRODUCTION IN PART OR AS A WHOLE WITHOUT THE WRITTEN PERMISSION OF STAINLESS CABLE AND RAILING® IS PROHIBITED.

NOTES: UNLESS OTHERWISE SPECIFIED		NAME	DATE
1. DUAL DIMENSIONS SHOWN - INCHES [MM].	DIMENSIONS ARE IN INCHES FRACTIONAL	DRAWN	SCR 02/20/18
2. MACHINED SURFACES TO BE 63uIN MAX.	ANGULAR: MACH ±	ENG APPR.	
3. PART TO BE FREE OF BURRS AND SHARP EDGES.	TWO PLACE DECIMAL ±	MFG APPR.	
4. ALL MATERIAL TO BE CLEAN, DEGREASED AND FREE OF ALL IMPURITIES.	THREE PLACE DECIMAL ±	COMMENTS:	
5. ANY CHANGE MUST BE AUTHORIZED BY AN SC&R ENGINEER.	MATERIAL		
	FINISH		

TITLE:		
<b>FINELINE BUTTON ASSEMBLY - FOR 1/8" CABLE RAILING</b>		
SIZE	DWG. NO.	REV
<b>A</b>	<b>982666</b>	<b>01</b>
SCALE: 1:2	WEIGHT:	SHEET 1 OF 1

2

1