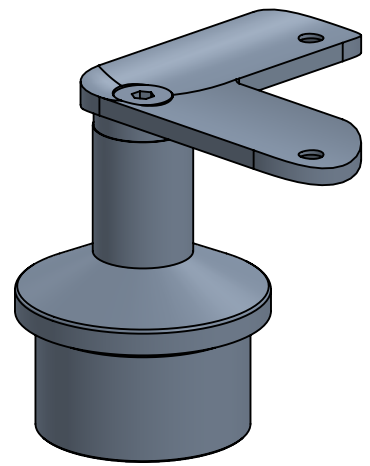


2

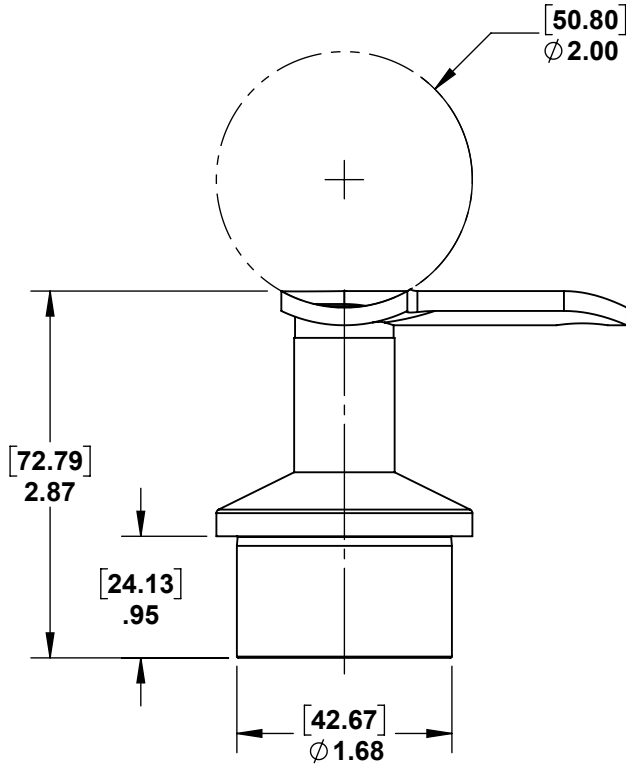
1

PART NUMBER	DESCRIPTION	QTY.
05-220-01	BASE - STAINLESS 2" 90° POST CAP (RADIUS SADDLE)	1
05-220-02_TERMINAL	CUP - STAINLESS 2" 90° POST CAP (RADIUS SADDLE)	1
M6 x 20LG FHSCS	M6 x 1.0 x 20LG FHSCS	1



B

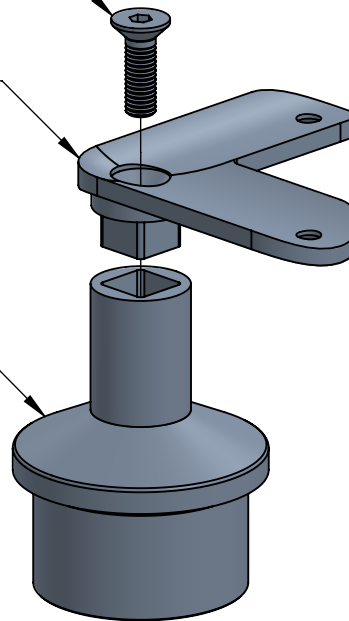
B



M6 x 20LG FHSCS

05-220-01

05-220-02\_TERMINAL



A

A



PROPRIETARY AND CONFIDENTIAL

THE INFORMATION CONTAINED IN THIS DRAWING IS THE SOLE PROPERTY OF STAINLESS CABLE AND RAILING®. ANY REPRODUCTION IN PART OR AS A WHOLE WITHOUT THE WRITTEN PERMISSION OF STAINLESS CABLE AND RAILING® IS PROHIBITED.

NOTES: UNLESS OTHERWISE SPECIFIED

- DIMENSIONS SHOWN - INCHES [MM].
- MACHINED SURFACES TO BE 63µIN MAX.
- PART TO BE FREE OF BURRS AND SHARP EDGES.
- ALL MATERIAL TO BE CLEAN, DEGREASED AND FREE OF ALL IMPURITIES.
- ANY CHANGE MUST BE AUTHORIZED BY AN SC&R ENGINEER.

DIMENSIONS ARE IN INCHES  
 FRACTIONAL ±  
 ANGULAR: MACH ±  
 TWO PLACE DECIMAL ±  
 THREE PLACE DECIMAL ±

MATERIAL

FINISH

NAME DATE

DRAWN SCR 02/28/18

ENG APPR.

MFG APPR.

COMMENTS:

TITLE:

**POST CAP TOP RAIL 90°  
 MOUNT FOR 2" ROUND  
 SS TERMINAL POSTS**

SIZE

**A**

DWG. NO.

**982796**

REV

**01**

SCALE: 2:3

WEIGHT:

SHEET 1 OF 1

2

1