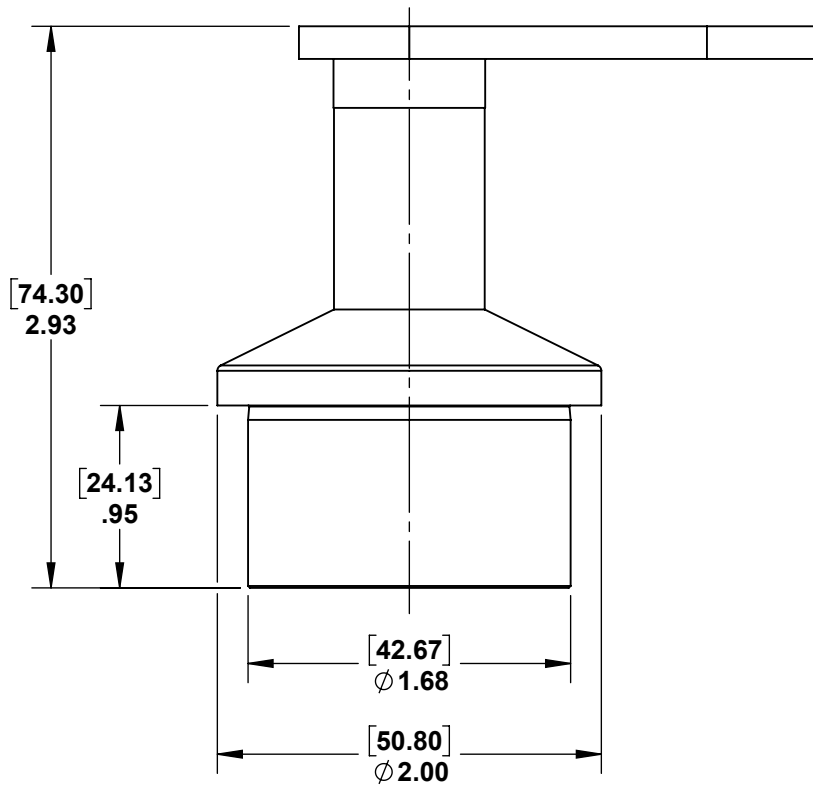


2

1

PART NUMBER	DESCRIPTION	QTY.
05-230-01	BASE - STAINLESS 2" 90° POST CAP	1
05-220-02_TERMINAL	CUP - STAINLESS 2" 90° POST CAP (RADIUS SADDLE)	1
M6 x 1.0 x 20LG FHSCS	M6 x 1.0 x 20LG FHSCS	1

B

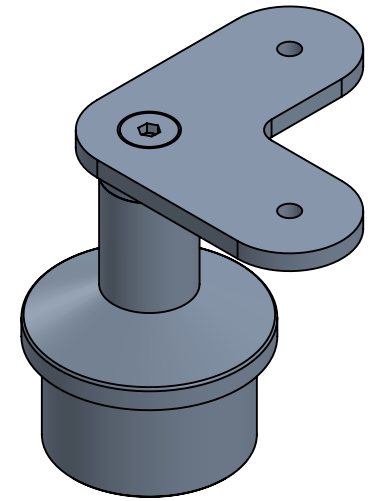


B

M6 x 20LG FHSCS

05-230-01

05-220-02_TERMINAL



A



PROPRIETARY AND CONFIDENTIAL

THE INFORMATION CONTAINED IN THIS DRAWING IS THE SOLE PROPERTY OF STAINLESS CABLE AND RAILING®. ANY REPRODUCTION IN PART OR AS A WHOLE WITHOUT THE WRITTEN PERMISSION OF STAINLESS CABLE AND RAILING® IS PROHIBITED.

NOTES: UNLESS OTHERWISE SPECIFIED

- DIMENSIONS SHOWN - INCHES [MM].
- MACHINED SURFACES TO BE 63µIN MAX.
- PART TO BE FREE OF BURRS AND SHARP EDGES.
- ALL MATERIAL TO BE CLEAN, DEGREASED AND FREE OF ALL IMPURITIES.
- ANY CHANGE MUST BE AUTHORIZED BY AN SC&R ENGINEER.

DIMENSIONS ARE IN INCHES
 FRACTIONAL ±
 ANGULAR: MACH ±
 TWO PLACE DECIMAL ±
 THREE PLACE DECIMAL ±

MATERIAL

FINISH

NAME DATE
 SCR 02/28/18

DRAWN
 ENG APPR.
 MFG APPR.

COMMENTS:

TITLE:

**POST CAP FLAT TOP RAIL
 90DEG MOUNT FOR 2"
 ROUND STAINLESS STEEL
 POSTS TERMINAL**

SIZE
A

DWG. NO.
982802

REV
01

SCALE: 1:1

WEIGHT:

SHEET 1 OF 1

2

1

A