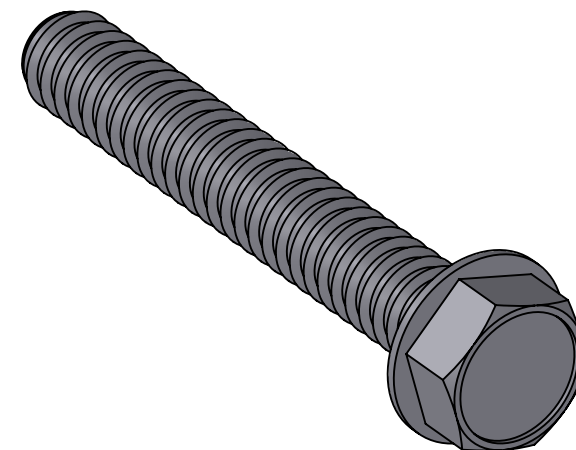


2

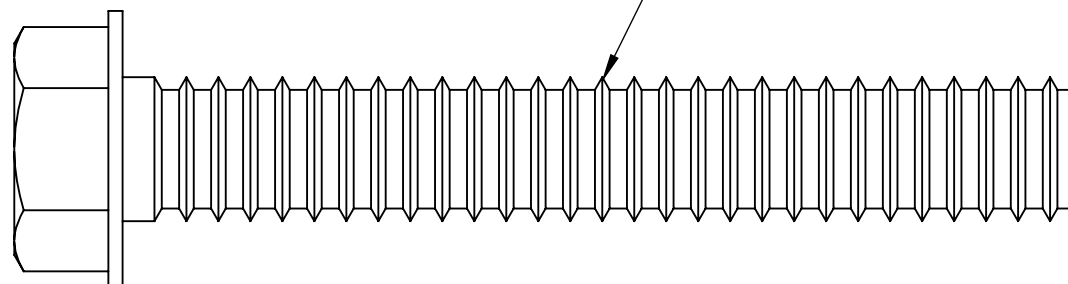
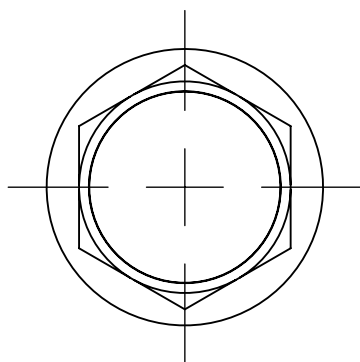
1

B

B



3/8" x 2 1/2" SLTD
STAINLESS SCREW



A

A



PROPRIETARY AND CONFIDENTIAL

THE INFORMATION CONTAINED IN THIS DRAWING IS THE SOLE PROPERTY OF STAINLESS CABLE AND RAILING®. ANY REPRODUCTION IN PART OR AS A WHOLE WITHOUT THE WRITTEN PERMISSION OF STAINLESS CABLE AND RAILING® IS PROHIBITED.

NOTES: UNLESS OTHERWISE SPECIFIED

1. DIMENSIONS SHOWN - INCHES [MM].
2. MACHINED SURFACES TO BE 63uIN MAX.
3. PART TO BE FREE OF BURRS AND SHARP EDGES.
4. ALL MATERIAL TO BE CLEAN, DEGREASED AND FREE OF ALL IMPURITIES.
5. ANY CHANGE MUST BE AUTHORIZED BY AN SC&R ENGINEER.

DIMENSIONS ARE IN INCHES
FRACTIONAL ±
ANGULAR: MACH ±
TWO PLACE DECIMAL ±
THREE PLACE DECIMAL ±

MATERIAL
6082 T6 ALU
FINISH
POWDERCOAT

	NAME	DATE
DRAWN	SCR	10/23/17
ENG APPR.		
MFG APPR.		

COMMENTS:
POWDERCOATING TO MEET OR EXCEED AAMA2604 SALT SPRAY RESISTANCE

TITLE:
**CONCRETE
TAPCON SCREW**

SIZE A	DWG. NO. 982925	REV 01
SCALE: 1:1	WEIGHT:	SHEET 1 OF 1

2

1