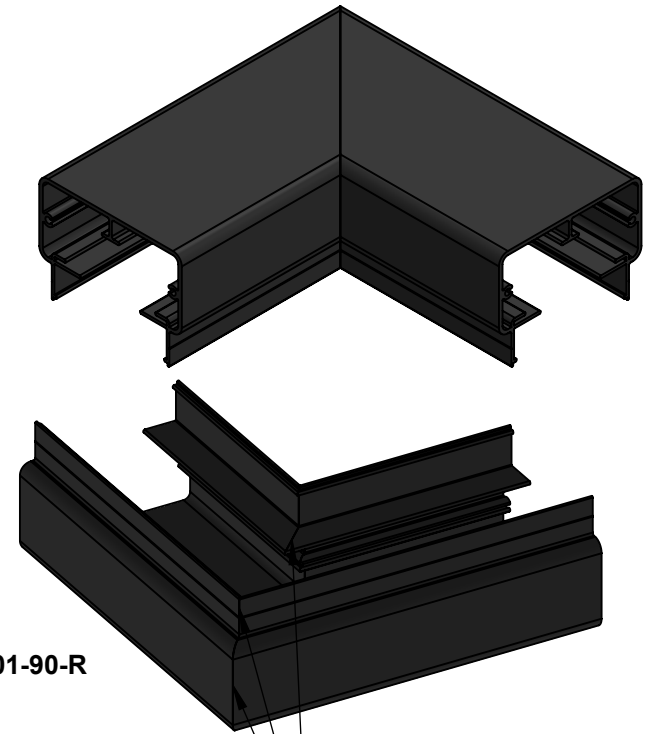
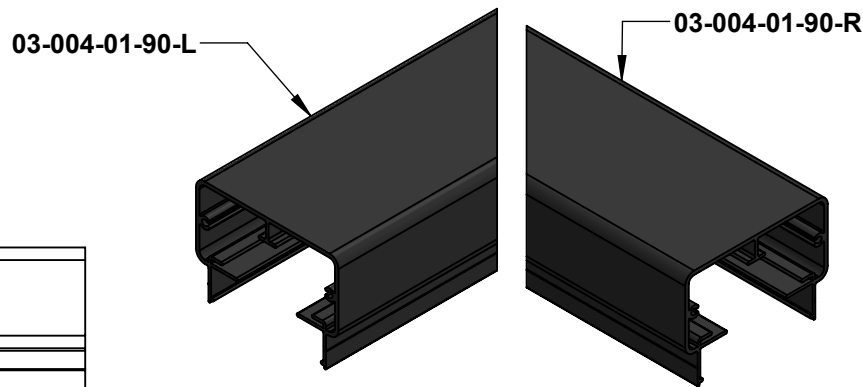
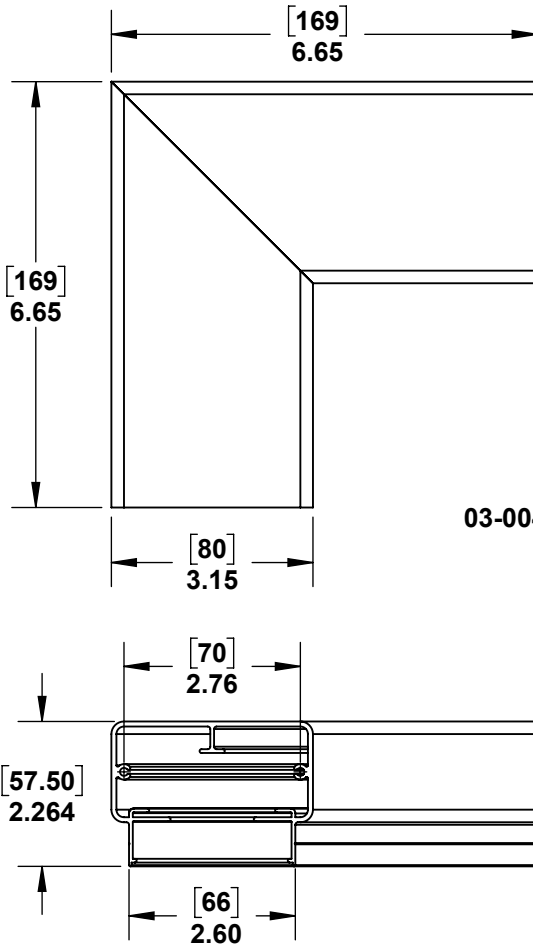


2

1

ITEM NO.	PART NUMBER	DESCRIPTION	QTY.
1	03-004-01-90-L	RECTANGULAR TOP RAIL	1
2	03-004-01-90-R	RECTANGULAR TOP RAIL	1



WELD UNDERSIDE OF SEAMS ONLY

B

B

A

A



PROPRIETARY AND CONFIDENTIAL

THE INFORMATION CONTAINED IN THIS DRAWING IS THE SOLE PROPERTY OF STAINLESS CABLE AND RAILING®. ANY REPRODUCTION IN PART OR AS A WHOLE WITHOUT THE WRITTEN PERMISSION OF STAINLESS CABLE AND RAILING® IS PROHIBITED.

NOTES: UNLESS OTHERWISE SPECIFIED

- DIMENSIONS SHOWN - INCHES [MM].
- MACHINED SURFACES TO BE 63µIN MAX.
- PART TO BE FREE OF BURRS AND SHARP EDGES.
- ALL MATERIAL TO BE CLEAN, DEGREASED AND FREE OF ALL IMPURITIES.
- ANY CHANGE MUST BE AUTHORIZED BY AN SC&R ENGINEER.

DIMENSIONS ARE IN INCHES
 FRACTIONAL ±
 ANGULAR: MACH ±
 TWO PLACE DECIMAL ±
 THREE PLACE DECIMAL ±

MATERIAL
 FINISH
 POWDERCOAT

	NAME	DATE
DRAWN	SCR	10/23/17
ENG APPR.		
MFG APPR.		

COMMENTS:
 POWDERCOATING TO MEET OR EXCEED AAMA2604 SALT SPRAY RESISTANCE

TITLE: RECTANGULAR CORNER ASSY		
SIZE A	DWG. NO. 982949	REV 01
SCALE: 1:3	WEIGHT:	SHEET 1 OF 1

2

1