

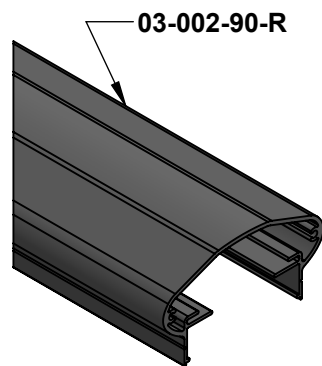
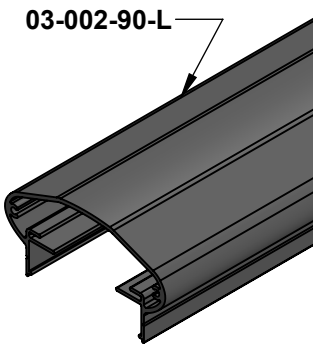
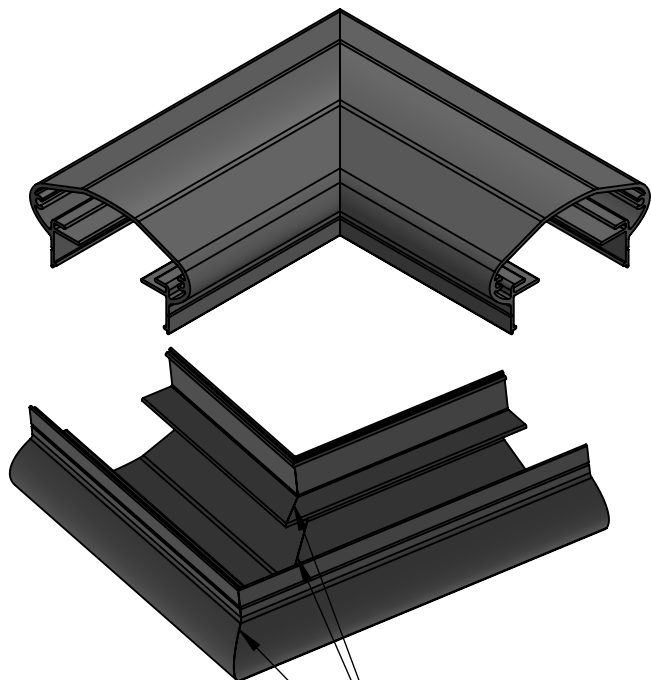
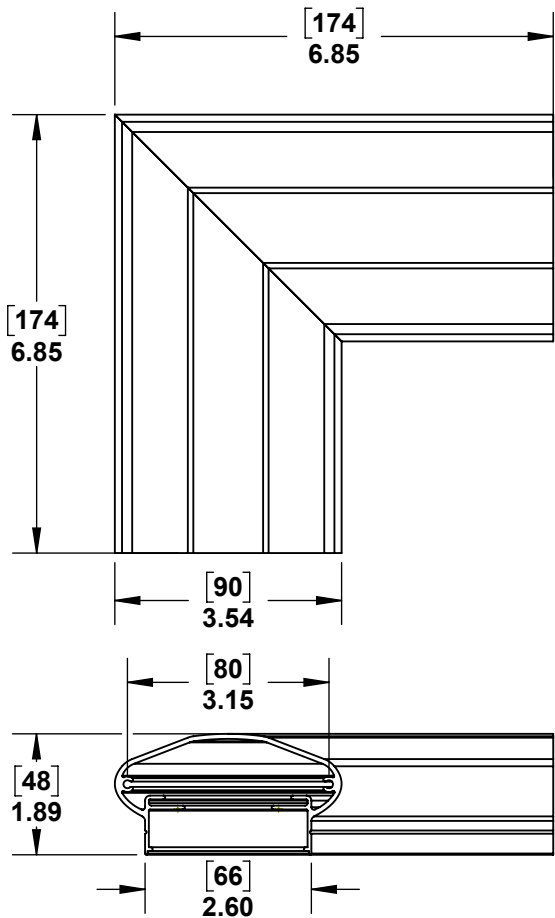
2

1

ITEM NO.	PART NUMBER	DESCRIPTION	QTY.
1	03-002-90-R	ELLIPTICAL TOP RAIL	1
2	03-002-90-L	ELLIPTICAL TOP RAIL	1

B

B



WELD UNDERSIDE OF SEAMS ONLY

A

A



PROPRIETARY AND CONFIDENTIAL

THE INFORMATION CONTAINED IN THIS DRAWING IS THE SOLE PROPERTY OF STAINLESS CABLE AND RAILING®. ANY REPRODUCTION IN PART OR AS A WHOLE WITHOUT THE WRITTEN PERMISSION OF STAINLESS CABLE AND RAILING® IS PROHIBITED.

NOTES: UNLESS OTHERWISE SPECIFIED		NAME	DATE	TITLE:		
1. DIMENSIONS SHOWN - INCHES [MM]. 2. MACHINED SURFACES TO BE 63µIN MAX. 3. PART TO BE FREE OF BURRS AND SHARP EDGES. 4. ALL MATERIAL TO BE CLEAN, DEGREASED AND FREE OF ALL IMPURITIES. 5. ANY CHANGE MUST BE AUTHORIZED BY AN SC&R ENGINEER.	DIMENSIONS ARE IN INCHES	SCR	10/23/17	ELLIPTICAL CORNER ASSY		
	FRACTIONAL ±					
	ANGULAR: MACH ±					
	TWO PLACE DECIMAL ±			SIZE A	DWG. NO. 982956	REV 01
	THREE PLACE DECIMAL ±			SCALE: 1:3	WEIGHT:	SHEET 1 OF 1
MATERIAL	COMMENTS:		POWDERCOATING TO MEET OR EXCEED AAMA2604 SALT SPRAY RESISTANCE			
FINISH						
POWDERCOAT						

2

1