

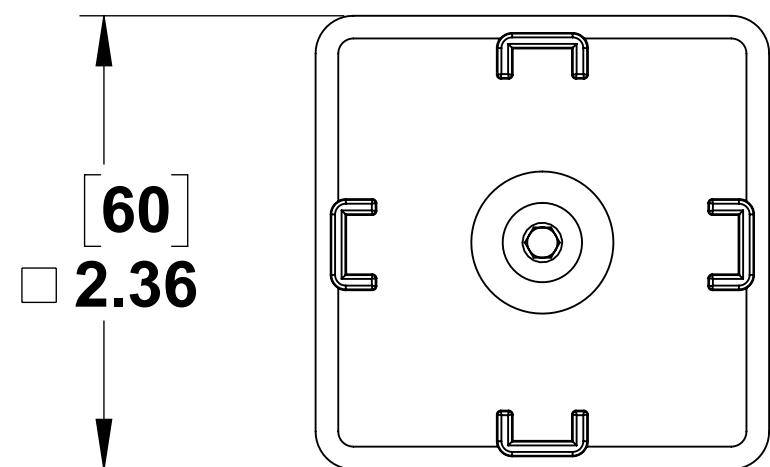
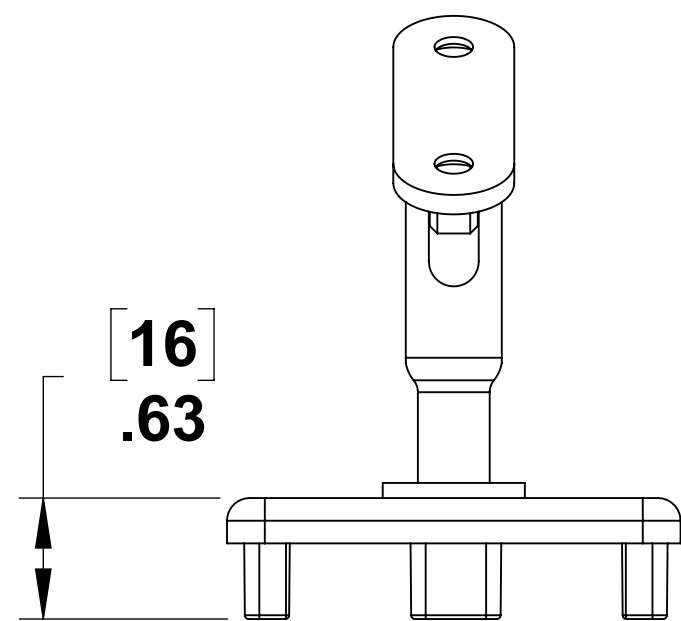
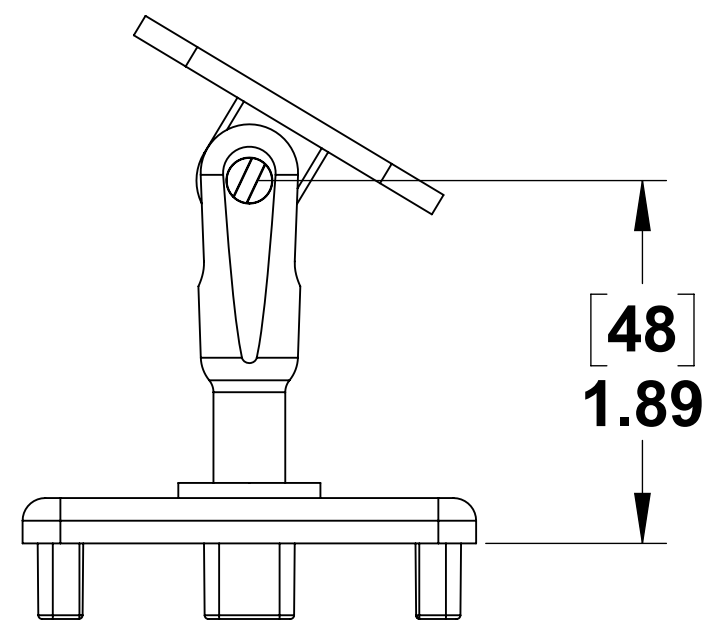
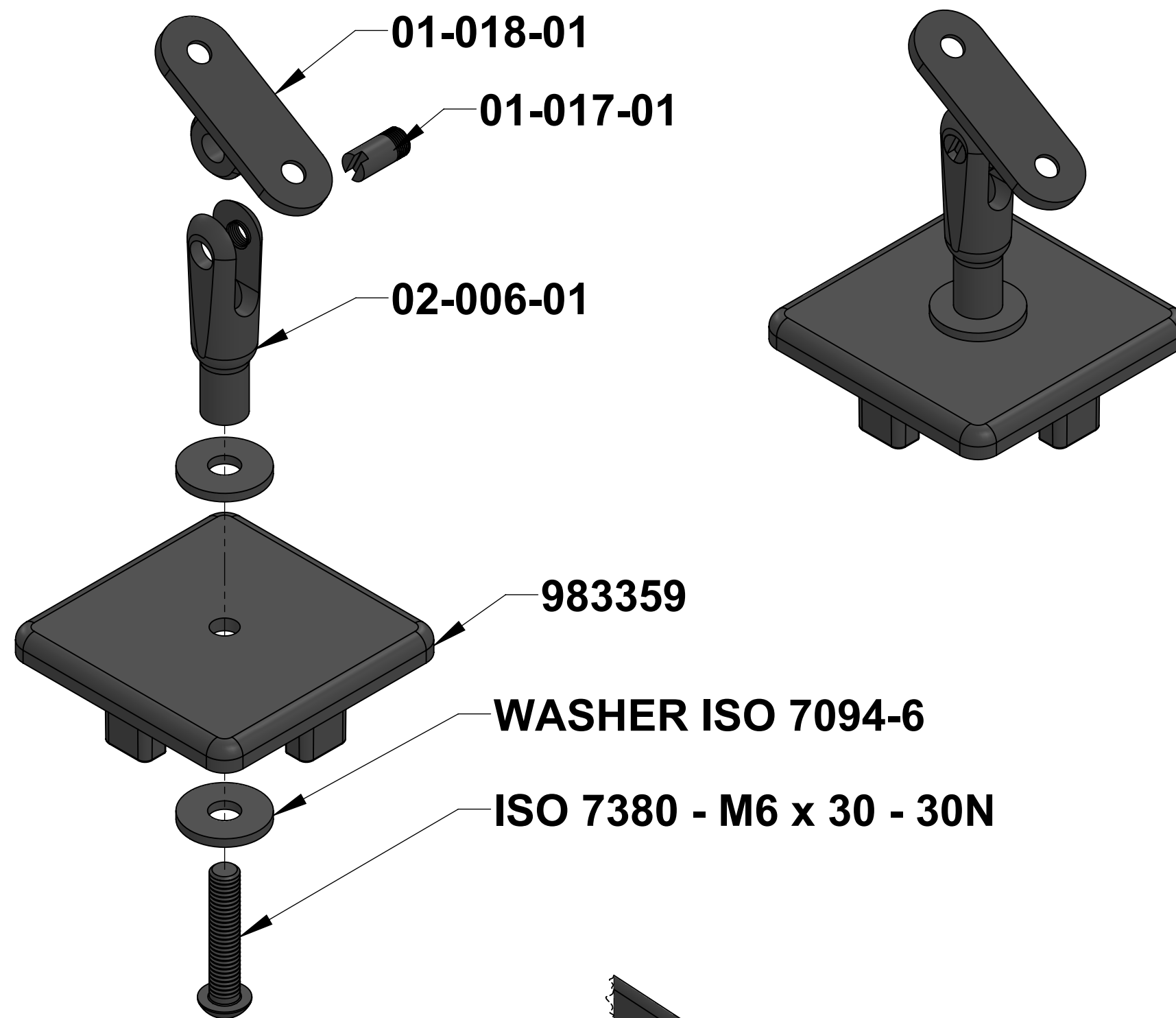
4

3

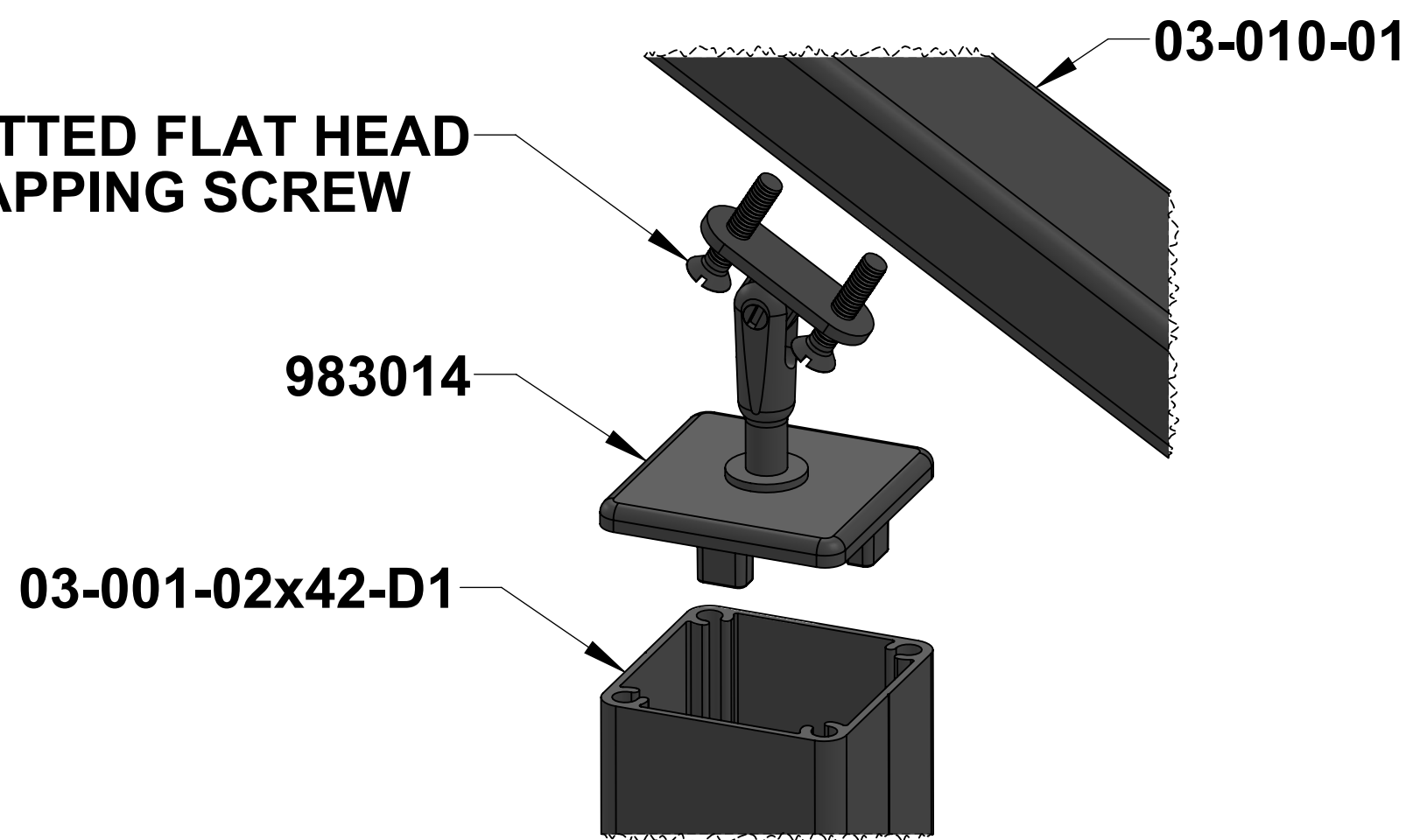
2

1

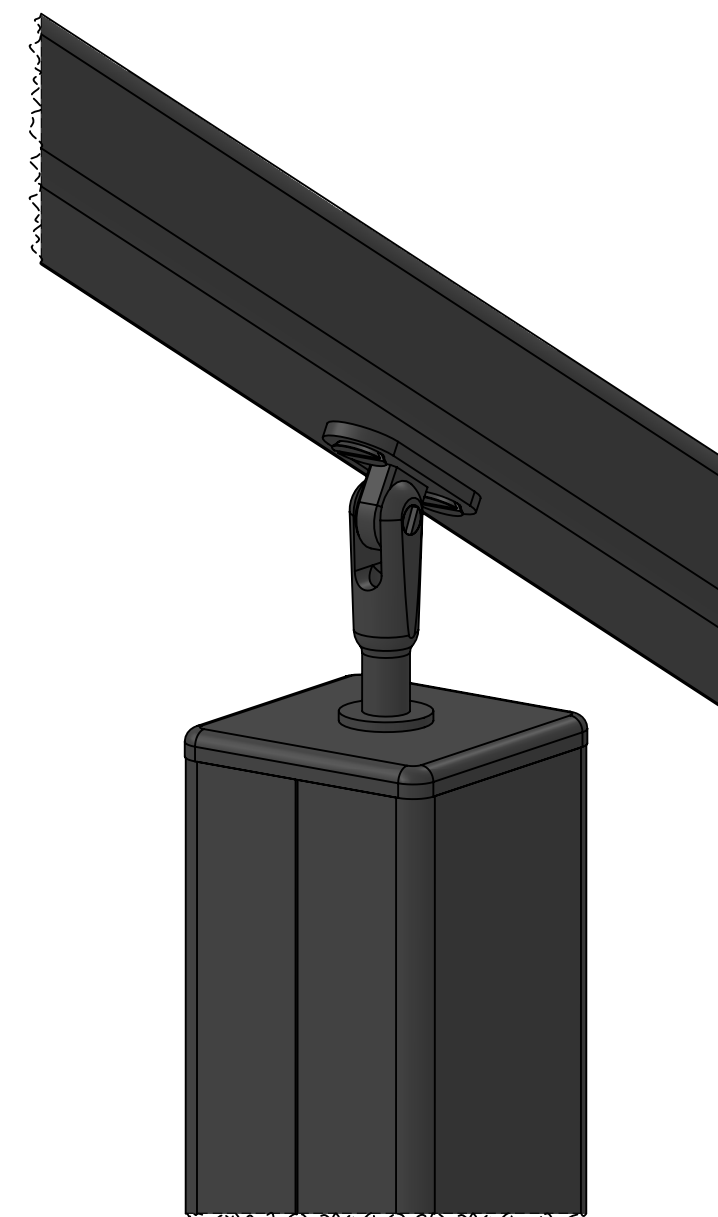
ITEM NO.	PART NUMBER	DESCRIPTION	QTY.
1	983359	POST CAP	1
2	WASHER ISO 7094-6	STD	2
3	02-006-01	FIXED JAW CLEVIS	1
4	ISO 7380 - M6 x 30 --- 30N	STD	1
5	01-018-01	SURFACE MOUNT TAB	1
6	01-017-01	CLEVIS SCREW	1



SLOTTED FLAT HEAD TAPPING SCREW



983014 INSTALLATION



SC&R
Stainless Cable
& Railing

PROPRIETARY AND CONFIDENTIAL

THE INFORMATION CONTAINED IN THIS DRAWING IS THE SOLE PROPERTY OF STAINLESS CABLE AND RAILING. ANY REPRODUCTION IN PART OR AS A WHOLE WITHOUT THE WRITTEN PERMISSION OF STAINLESS CABLE AND RAILING IS PROHIBITED.

NOTES: UNLESS OTHERWISE SPECIFIED

- DUAL DIMENSIONS SHOWN - INCHES [MM].
- MACHINED SURFACES TO BE 63µIN MAX.
- PART TO BE FREE OF BURRS AND SHARP EDGES.
- ALL MATERIAL TO BE CLEAN, DEGREASED AND FREE OF ALL IMPURITIES.
- ANY CHANGE MUST BE AUTHORIZED BY AN SC&R ENGINEER.

DIMENSIONS ARE IN INCHES	±
FRACTIONAL	±
ANGULAR: MACH	±
TWO PLACE DECIMAL	±
THREE PLACE DECIMAL	±
MATERIAL	
FINISH	

NAME	DATE
SCR	10/23/17
DRAWN	
ENG APPR.	
MFG APPR.	
COMMENTS:	

TITLE: POST-TO-POST HAND RAIL SADDLE BRACKET		
SIZE	DWG. NO.	REV
C	983014	01
SCALE: 1:1	WEIGHT:	SHEET 1 OF 1

4

3

2

1