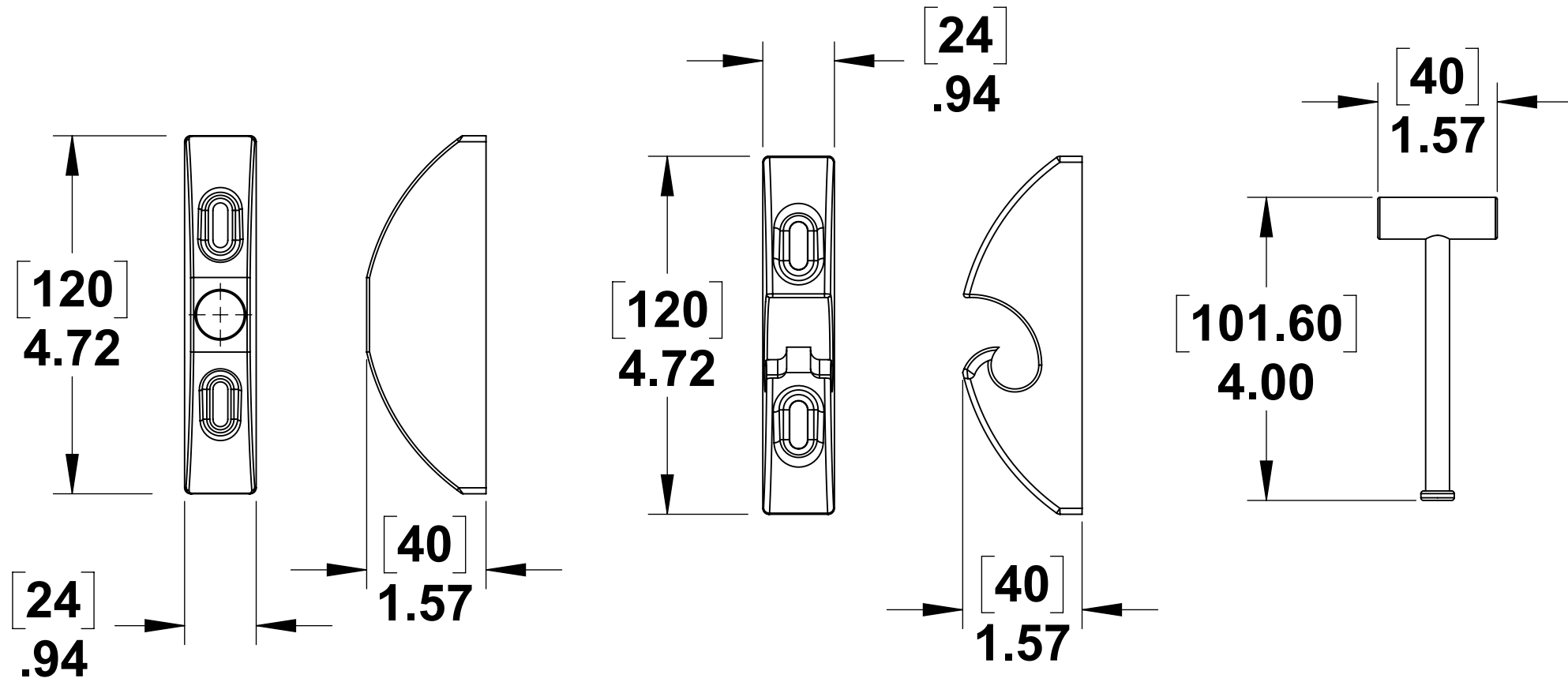
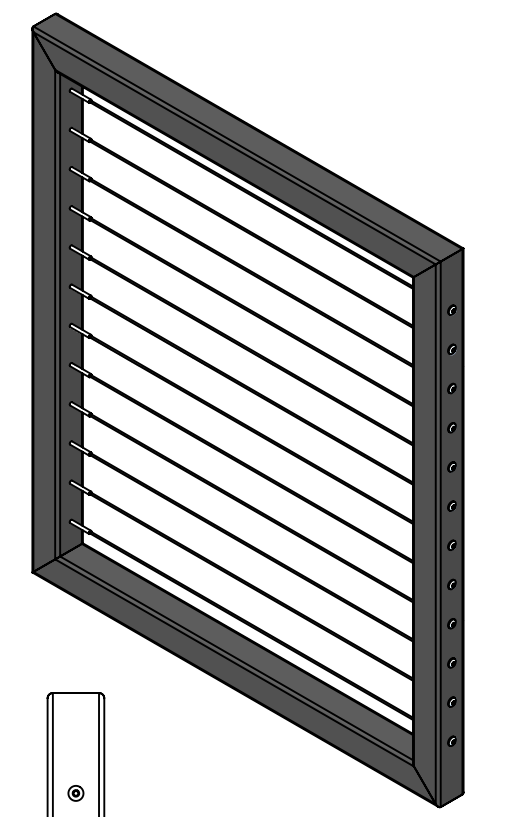
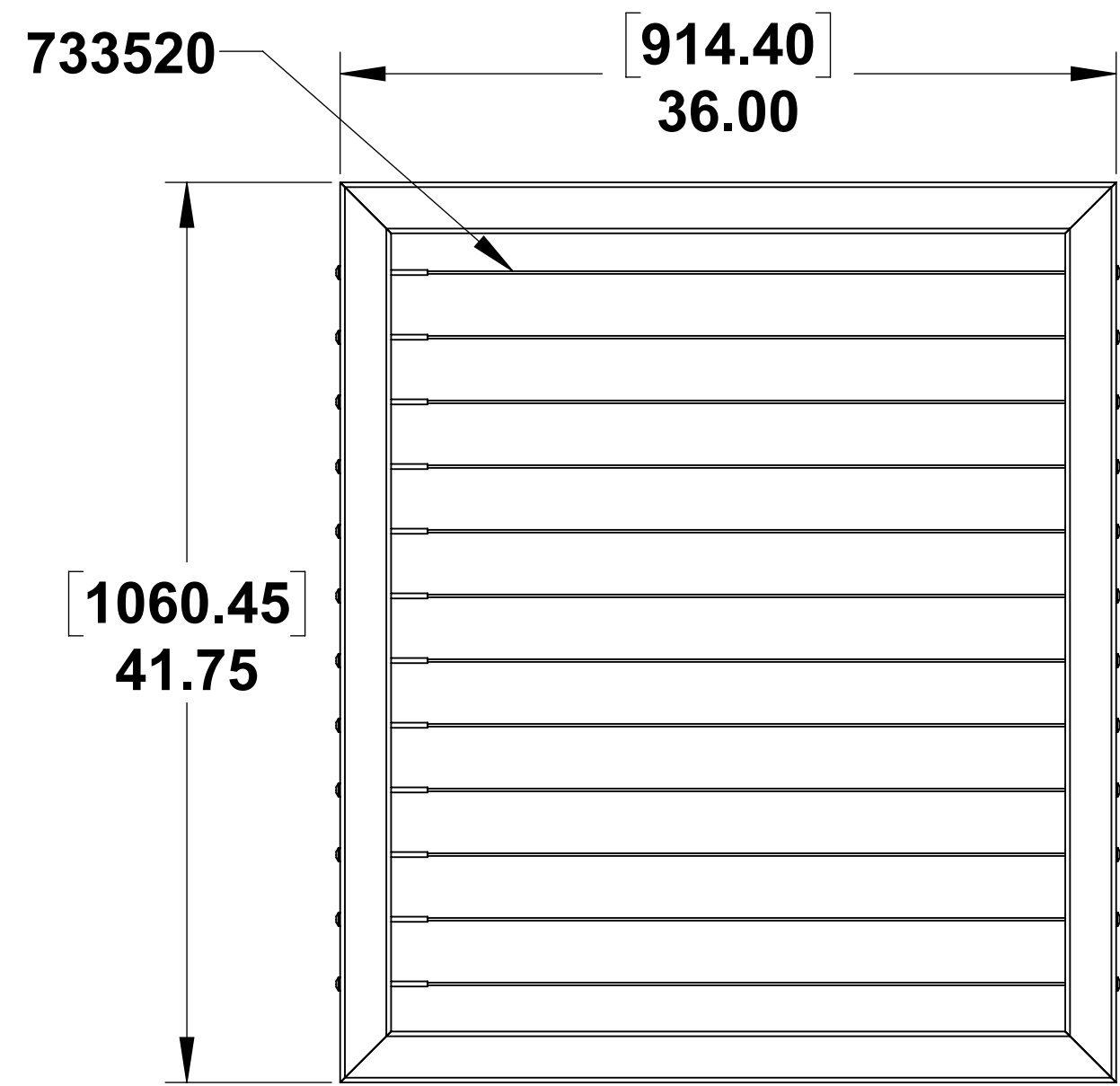


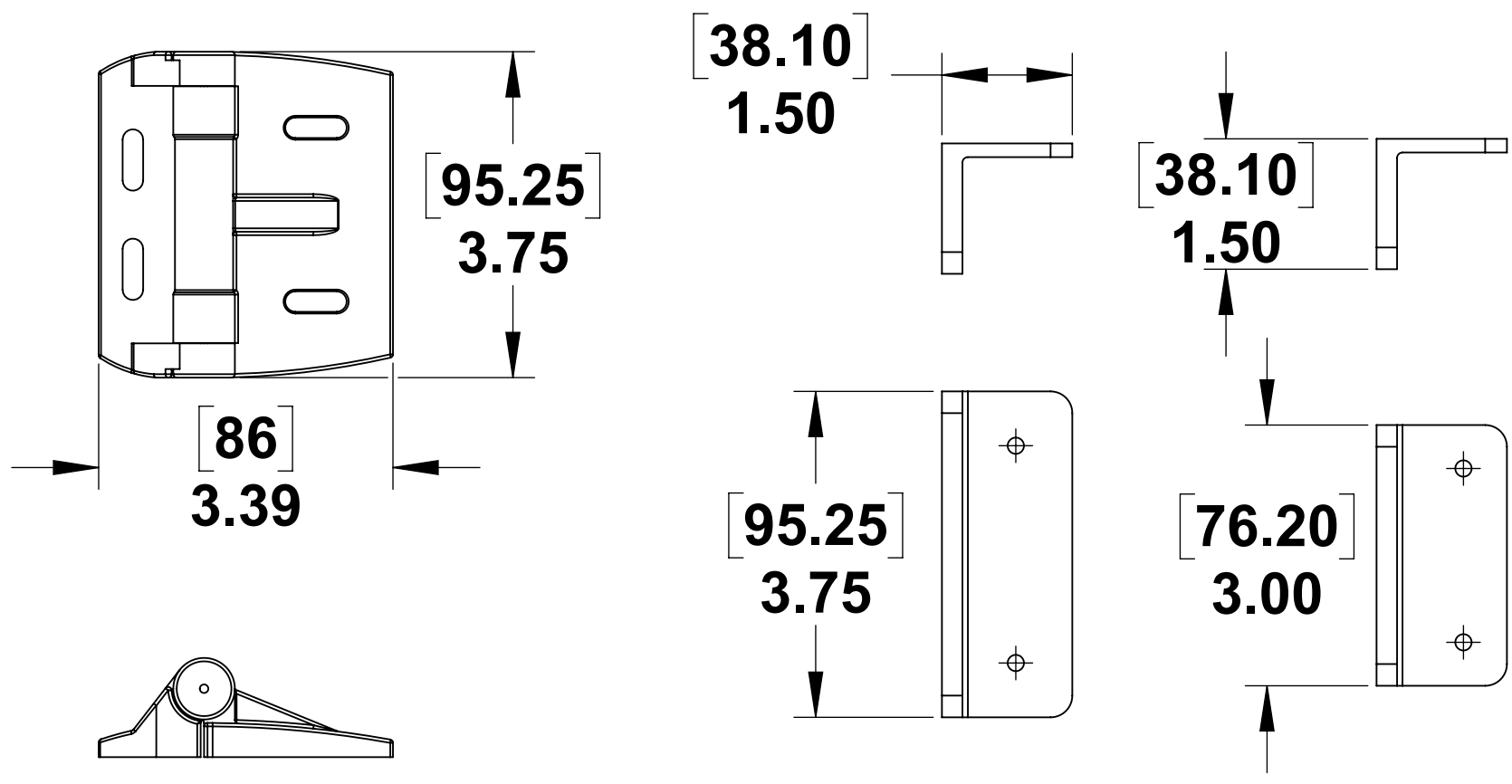
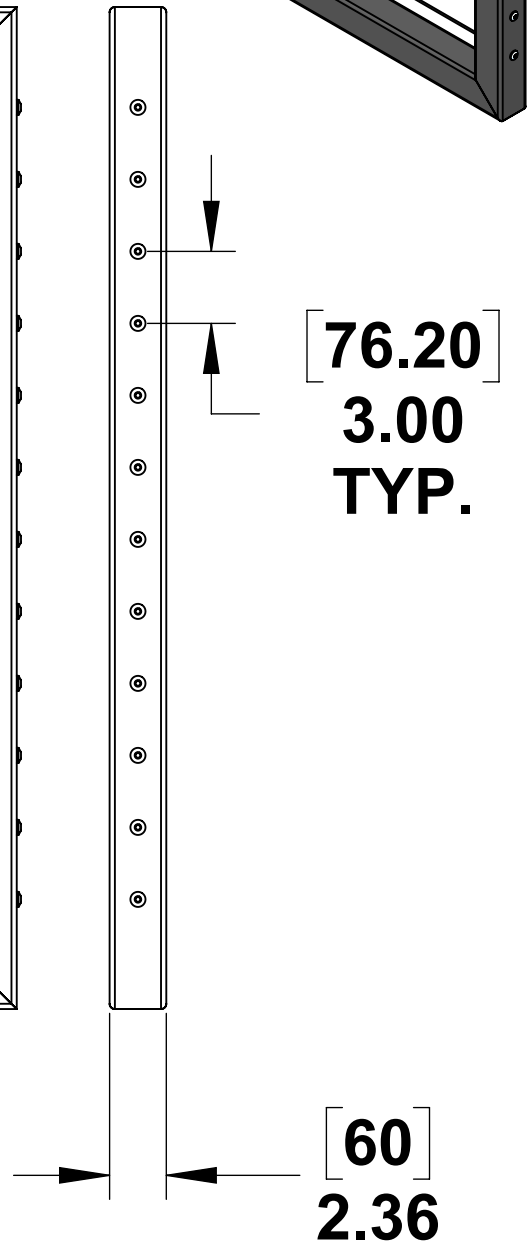
| ITEM NO. | PART NUMBER | DESCRIPTION | QTY. |
|----------|-------------------|---------------------------|------|
| 1 | CUSTOM GATE FRAME | GATE FRAME SIZE VARIES | 1 |
| 2 | GATE LATCH | GATE LATCH | |
| 3 | GATE STOP | GATE STOP | |
| 4 | HINGES | HINGES | |
| 5 | CABLE | CABLE | |



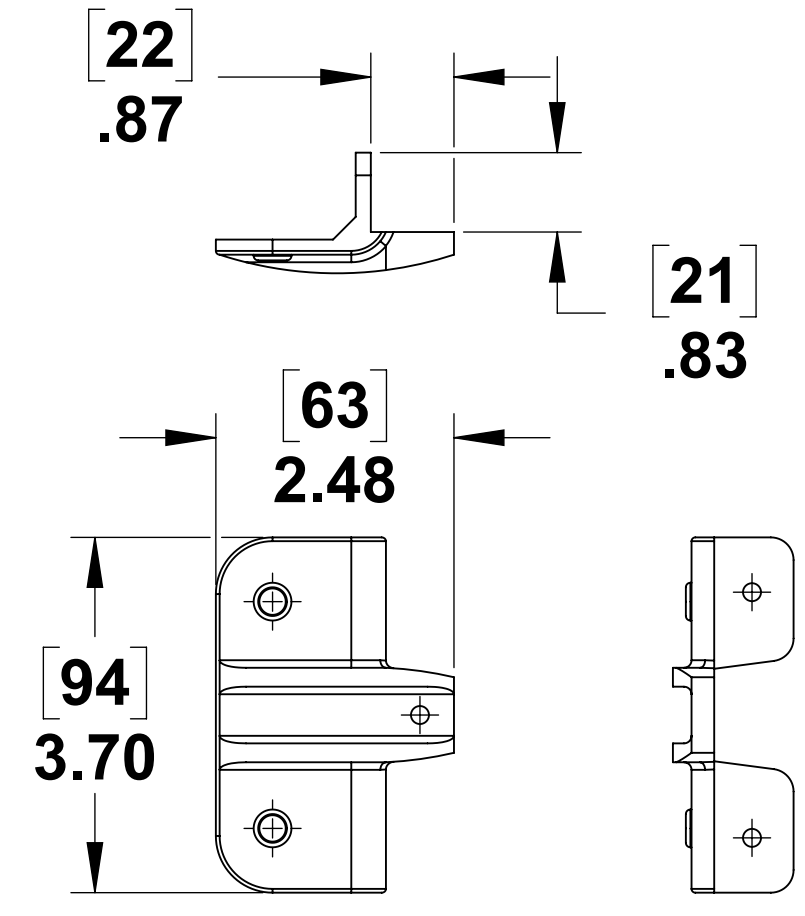
GATE LATCH



CUSTOM GATE FRAME



GATE HINGES & COMPONENTS



GATE STOP

| | | | | | |
|---|---|--|--|--|--|
| <p>PROPRIETARY AND CONFIDENTIAL</p> <p>THE INFORMATION CONTAINED IN THIS DRAWING IS THE SOLE PROPERTY OF STAINLESS CABLE AND RAILING. ANY REPRODUCTION IN PART OR AS A WHOLE WITHOUT THE WRITTEN PERMISSION OF STAINLESS CABLE AND RAILING IS PROHIBITED.</p> | <p>NOTES: UNLESS OTHERWISE SPECIFIED</p> <p>1. DUAL DIMENSIONS SHOWN - INCHES [MM].</p> <p>2. MACHINED SURFACES TO BE 63µIN MAX.</p> <p>3. PART TO BE FREE OF BURRS AND SHARP EDGES.</p> <p>4. ALL MATERIAL TO BE CLEAN, DEGREASED AND FREE OF ALL IMPURITIES.</p> <p>5. ANY CHANGE MUST BE AUTHORIZED BY AN SC&R ENGINEER.</p> | <p>DIMENSIONS ARE IN INCHES</p> <p>FRACTIONAL ±</p> <p>ANGULAR: MACH ±</p> <p>TWO PLACE DECIMAL ±</p> <p>THREE PLACE DECIMAL ±</p> <p>MATERIAL</p> <p>FINISH</p> | <p>DRAWN: SCR</p> <p>ENG APPR.</p> <p>MFG APPR.</p> <p>COMMENTS:</p> | <p>NAME: SCR</p> <p>DATE: 10/23/17</p> | <p>TITLE: CABLE RAILING GATE - ALUMINUM</p> |
| | <p>SCALE: 1:8</p> | <p>SIZE: C</p> | <p>DWG. NO. 984844</p> | <p>REV 01</p> | <p>WEIGHT:</p> |