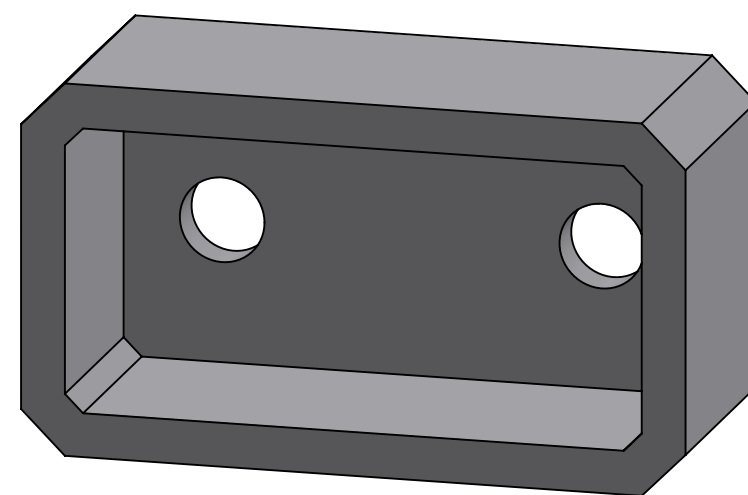
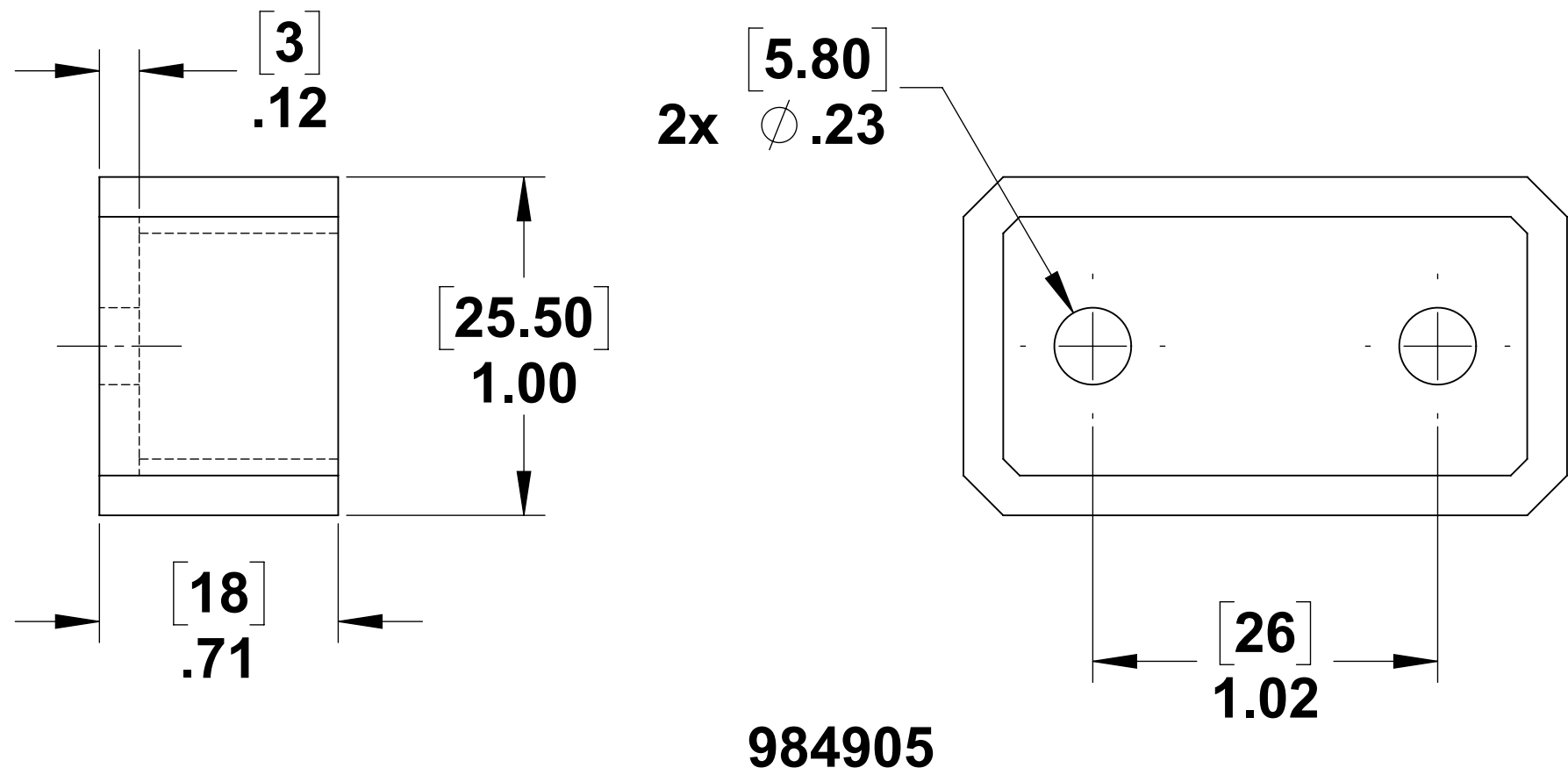
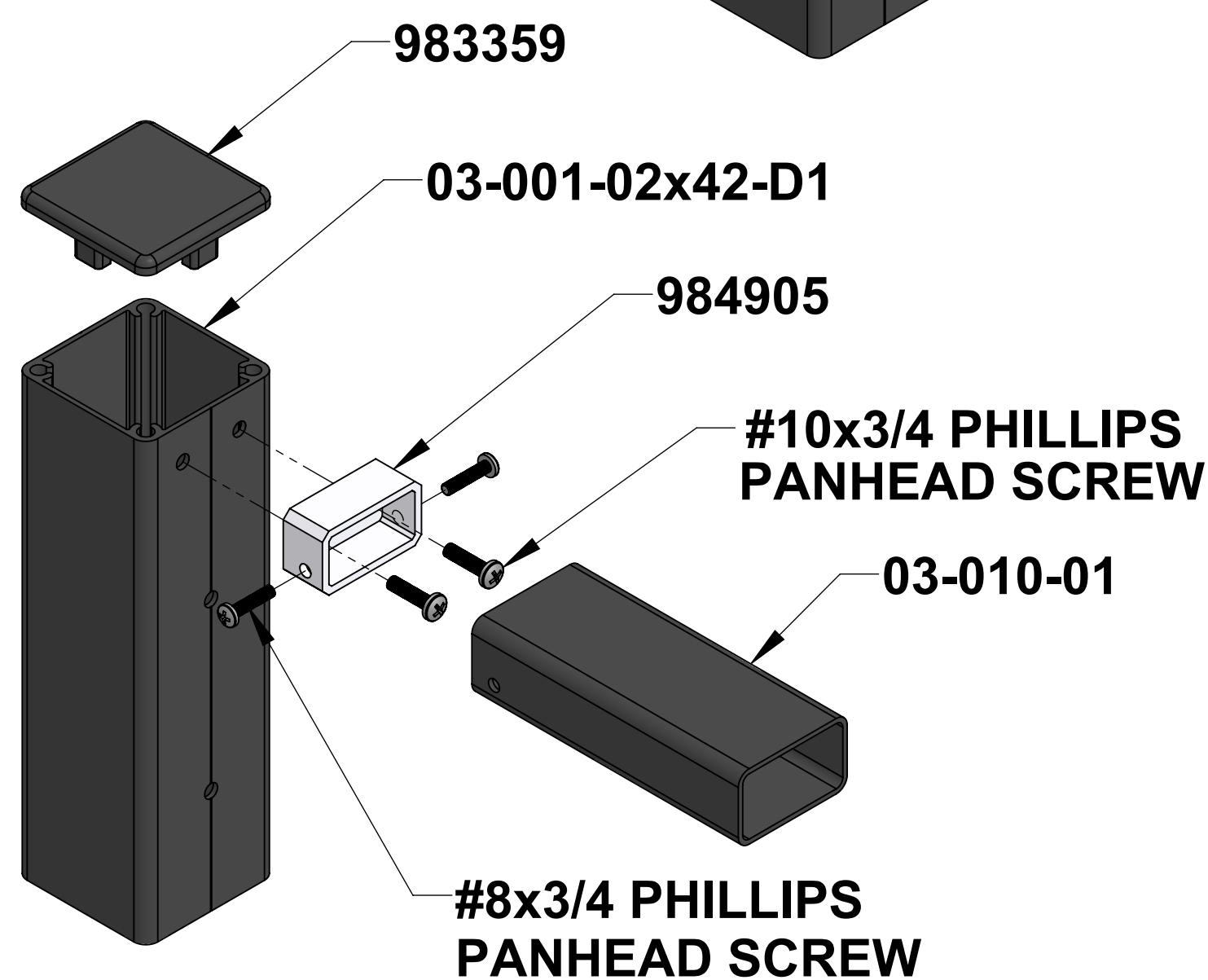
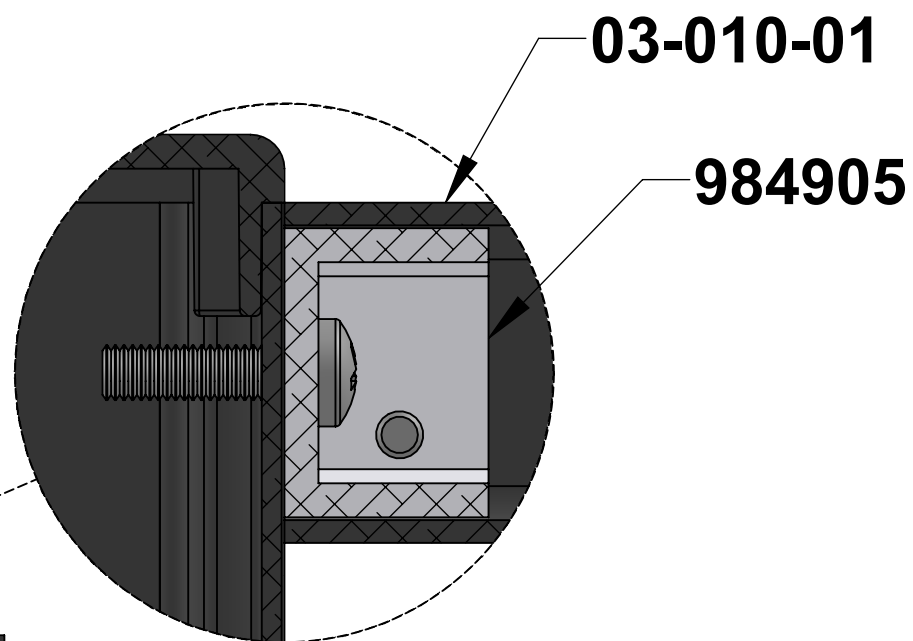
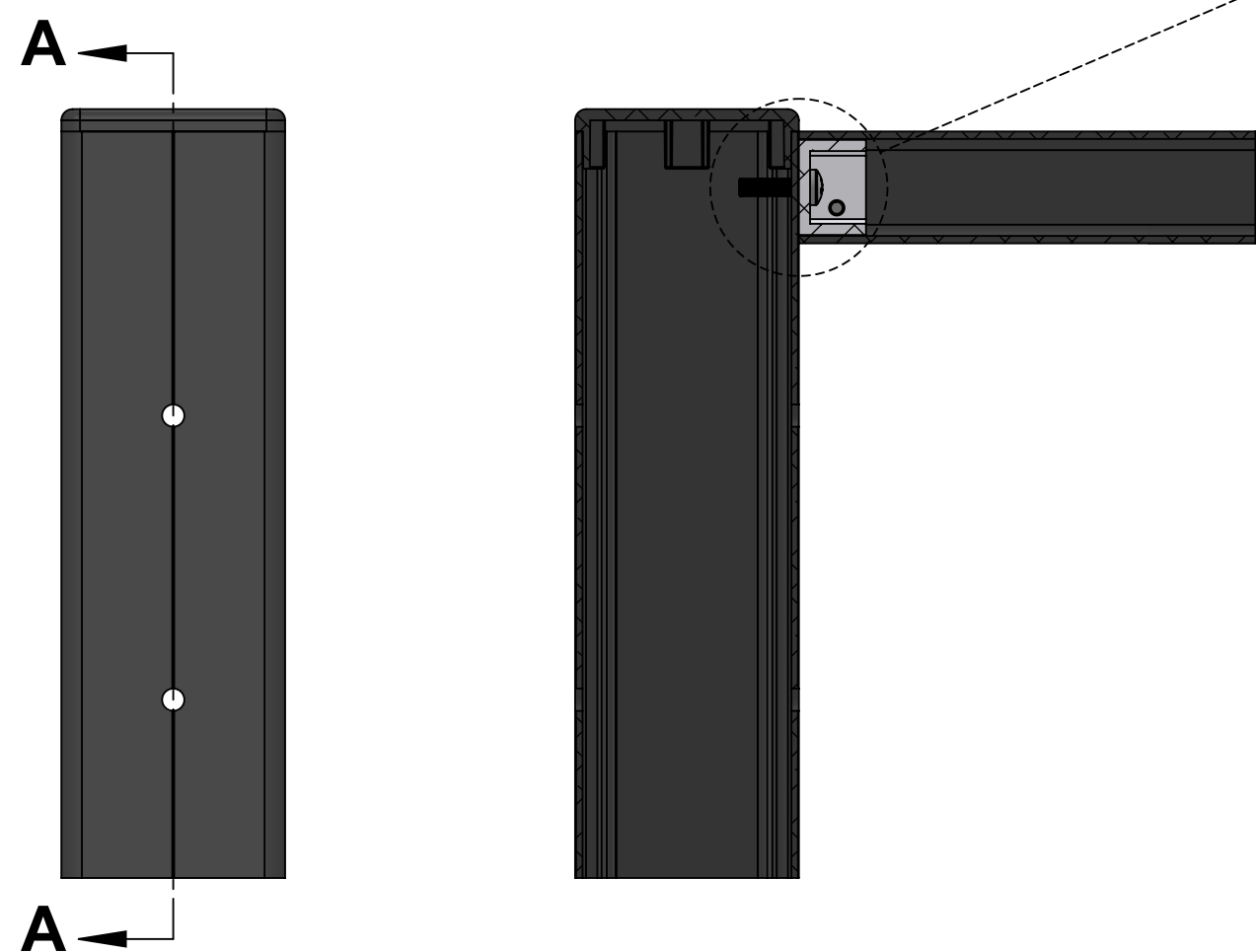
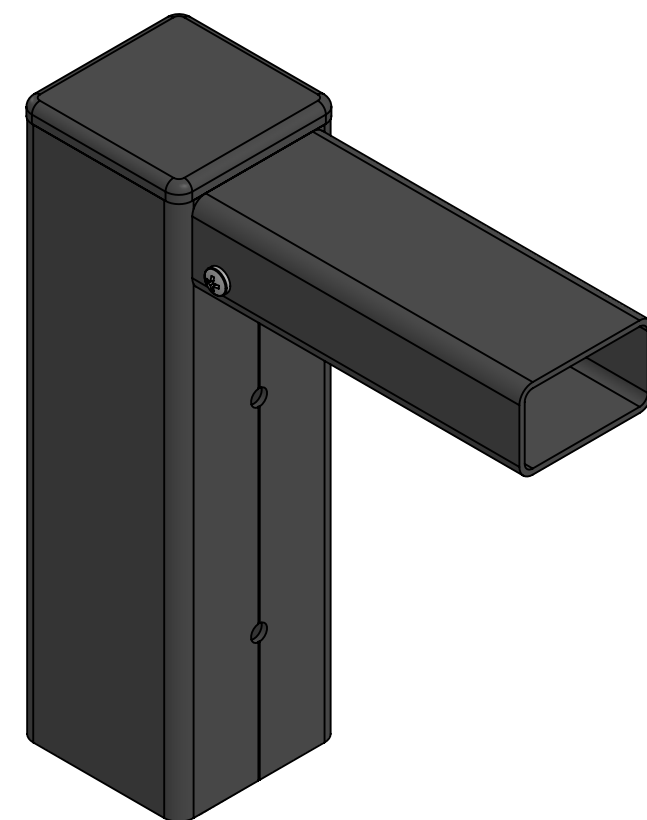


ITEM NO.	PART NUMBER	DESCRIPTION	QTY.
1	984905	MOUNTING BRACKET	1



984905



ASSEMBLY INSTALLATION

SC&R
Stainless Cable
& Railing

PROPRIETARY AND CONFIDENTIAL

THE INFORMATION CONTAINED IN THIS DRAWING IS THE SOLE PROPERTY OF STAINLESS CABLE AND RAILING. ANY REPRODUCTION IN PART OR AS A WHOLE WITHOUT THE WRITTEN PERMISSION OF STAINLESS CABLE AND RAILING IS PROHIBITED.

NOTES: UNLESS OTHERWISE SPECIFIED	
1. DUAL DIMENSIONS SHOWN - INCHES [MM].	DIMENSIONS ARE IN INCHES FRACTIONAL
2. MACHINED SURFACES TO BE 63µIN MAX.	ANGULAR: MACH ± TWO PLACE DECIMAL ± THREE PLACE DECIMAL ±
3. PART TO BE FREE OF BURRS AND SHARP EDGES.	MATERIAL: 6082 T6 ALU
4. ALL MATERIAL TO BE CLEAN, DEGREASED AND FREE OF ALL IMPURITIES.	FINISH: MILL
5. ANY CHANGE MUST BE AUTHORIZED BY AN SC&R ENGINEER.	

NAME	DATE
SCR	10/23/17
ENG APPR.	
MFG APPR.	

TITLE: MOUNTING BRACKET		
SIZE: C	DWG. NO. 984905	REV 01
SCALE: 1:1	WEIGHT:	SHEET 1 OF 1