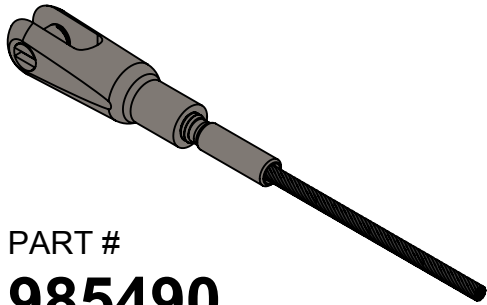


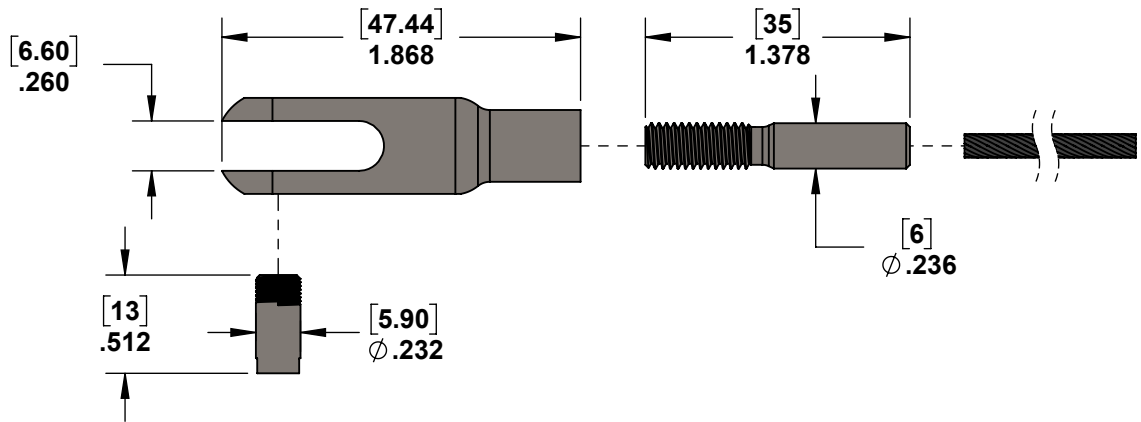
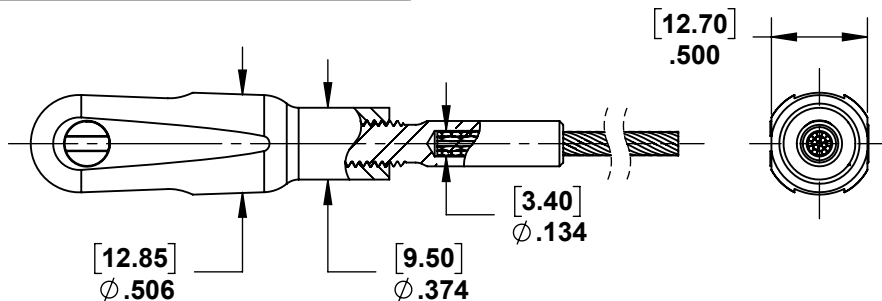
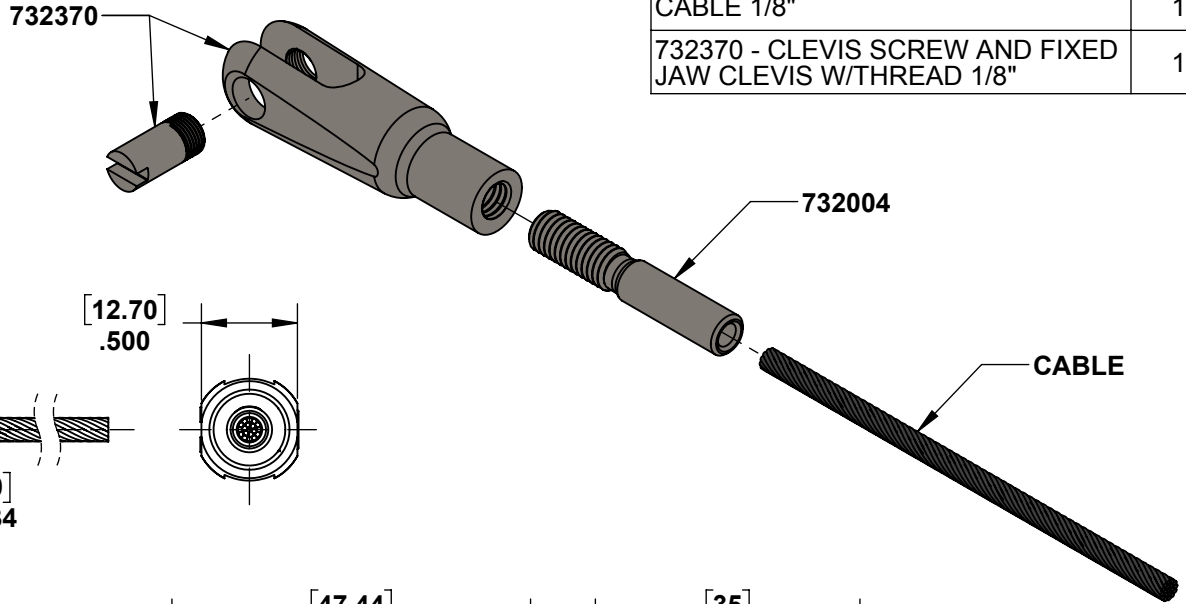
2

1



PART #
985490

PIECES INCLUDED:	QTY.
732004 - FACTORY SWAGED THREADED TERMINAL 1/8"	1
CABLE 1/8"	1
732370 - CLEVIS SCREW AND FIXED JAW CLEVIS W/THREAD 1/8"	1



B

B

A

A



PROPRIETARY AND CONFIDENTIAL

THE INFORMATION CONTAINED IN THIS DRAWING IS THE SOLE PROPERTY OF STAINLESS CABLE AND RAILING®. ANY REPRODUCTION IN PART OR AS A WHOLE WITHOUT THE WRITTEN PERMISSION OF STAINLESS CABLE AND RAILING® IS PROHIBITED.

NOTES: UNLESS OTHERWISE SPECIFIED		NAME	DATE
1. DUAL DIMENSIONS SHOWN - INCHES [MM]. 2. MACHINED SURFACES TO BE 63uIN MAX. 3. PART TO BE FREE OF BURRS AND SHARP EDGES. 4. ALL MATERIAL TO BE CLEAN, DEGREASED AND FREE OF ALL IMPURITIES. 5. ANY CHANGE MUST BE AUTHORIZED BY AN SC&R ENGINEER.	DIMENSIONS ARE IN INCHES	SCR	02/20/18
	FRACTIONAL ±		
	ANGULAR: MACH ±		
	TWO PLACE DECIMAL ±		
	THREE PLACE DECIMAL ±		
MATERIAL	COMMENTS:		
FINISH			

TITLE:		
FIXED JAW CLEVIS WITH 1X19 CABLE FOR 1/8" RAILING		
SIZE	DWG. NO.	REV
A	985490	01
SCALE: 1:1	WEIGHT:	SHEET 1 OF 1

2

1