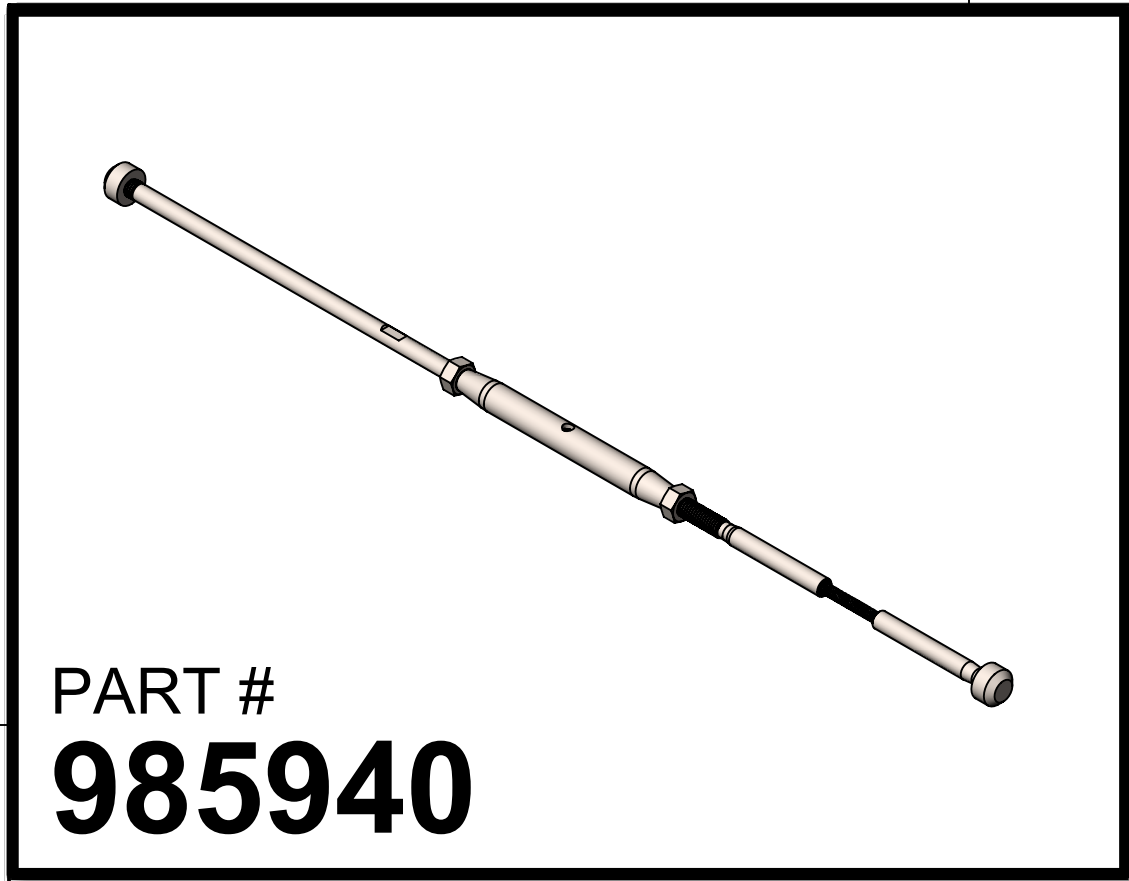


4

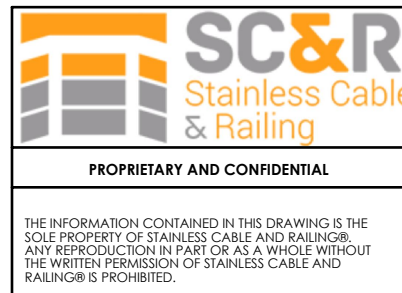
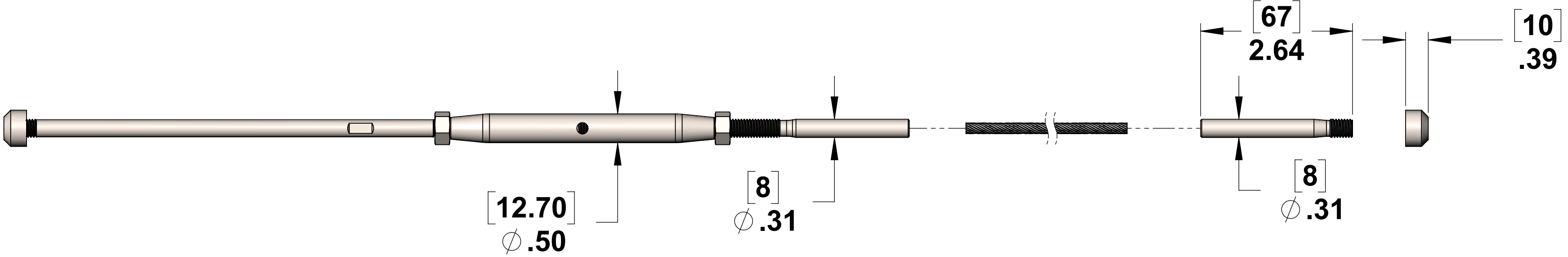
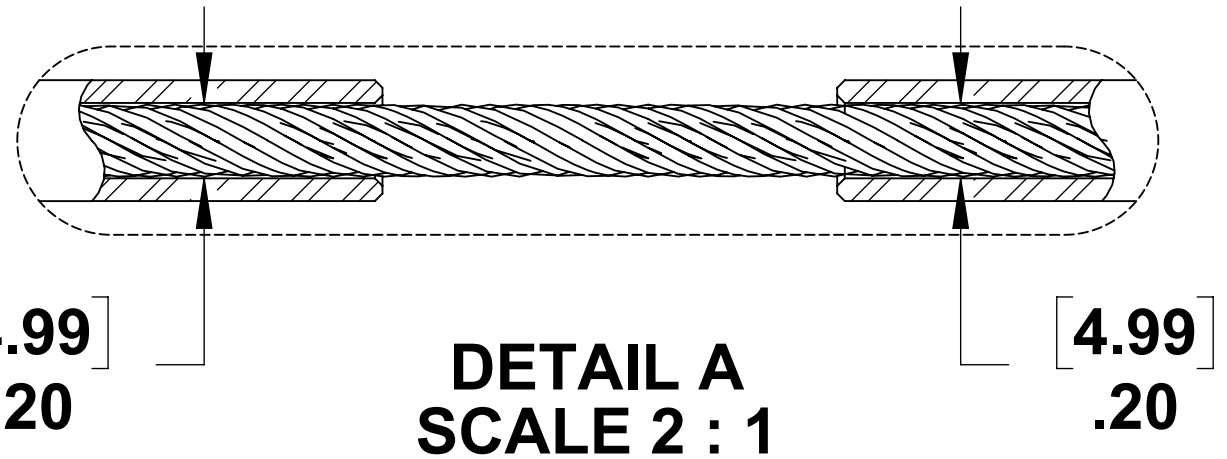
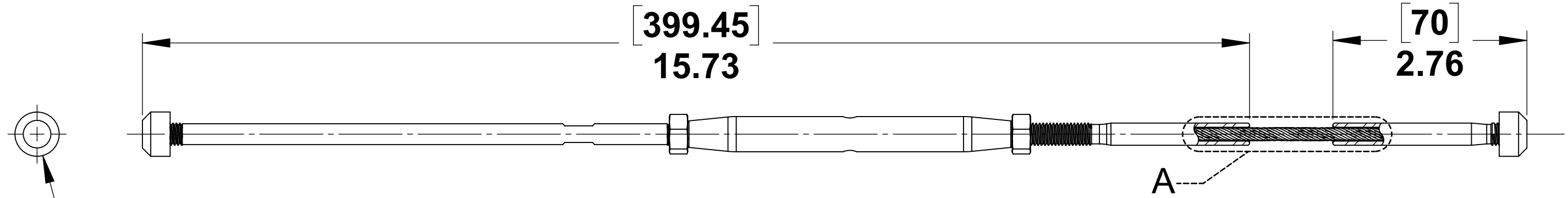
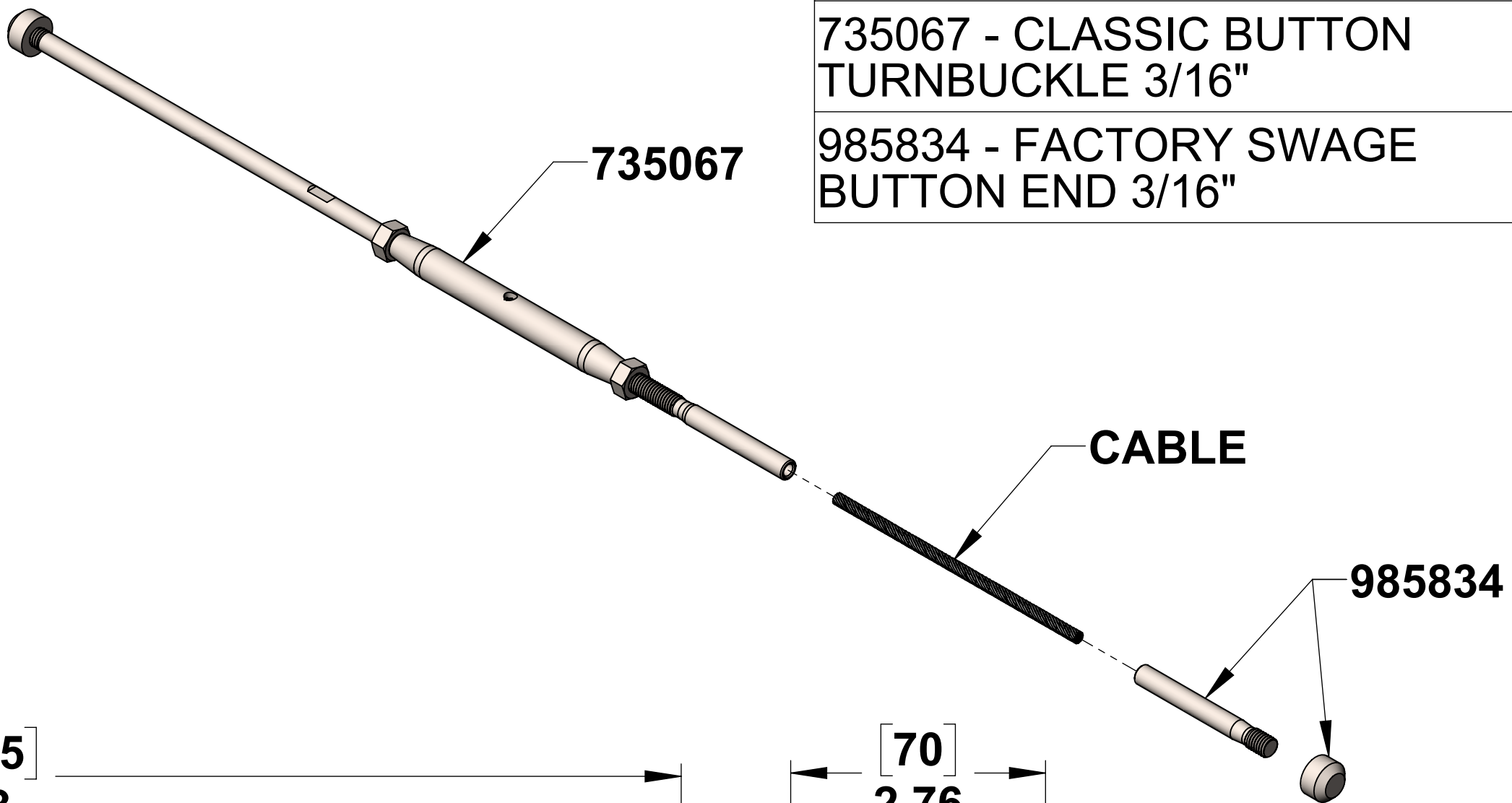
3

2

1



PIECES INCLUDED:	QTY.
735067 - CLASSIC BUTTON TURNBUCKLE 3/16"	1
985834 - FACTORY SWAGE BUTTON END 3/16"	1



NOTES: UNLESS OTHERWISE SPECIFIED

- DUAL DIMENSIONS SHOWN - INCHES [MM].
- MACHINED SURFACES TO BE 63µIN MAX.
- PART TO BE FREE OF BURRS AND SHARP EDGES.
- ALL MATERIAL TO BE CLEAN, DEGREASED AND FREE OF ALL IMPURITIES.
- ANY CHANGE MUST BE AUTHORIZED BY AN SC&R ENGINEER.

DIMENSIONS ARE IN INCHES
FRACTIONAL ±
ANGULAR: MACH ±
TWO PLACE DECIMAL ±
THREE PLACE DECIMAL ±

MATERIAL
FINISH

NAME	DATE
SCR	04/02/18
ENG APPR.	
MFG APPR.	

COMMENTS:

TITLE: CLASSIC BUTTON ASSEMBLY - FOR 3/16" CABLE RAILING		
SIZE C	DWG. NO. 985940	REV 01
SCALE: 2:3	WEIGHT:	SHEET 1 OF 1

4

3

2

1