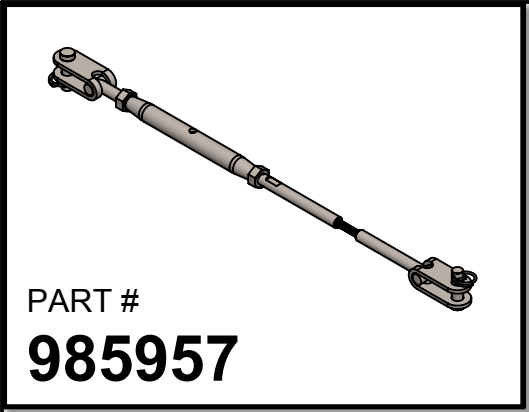
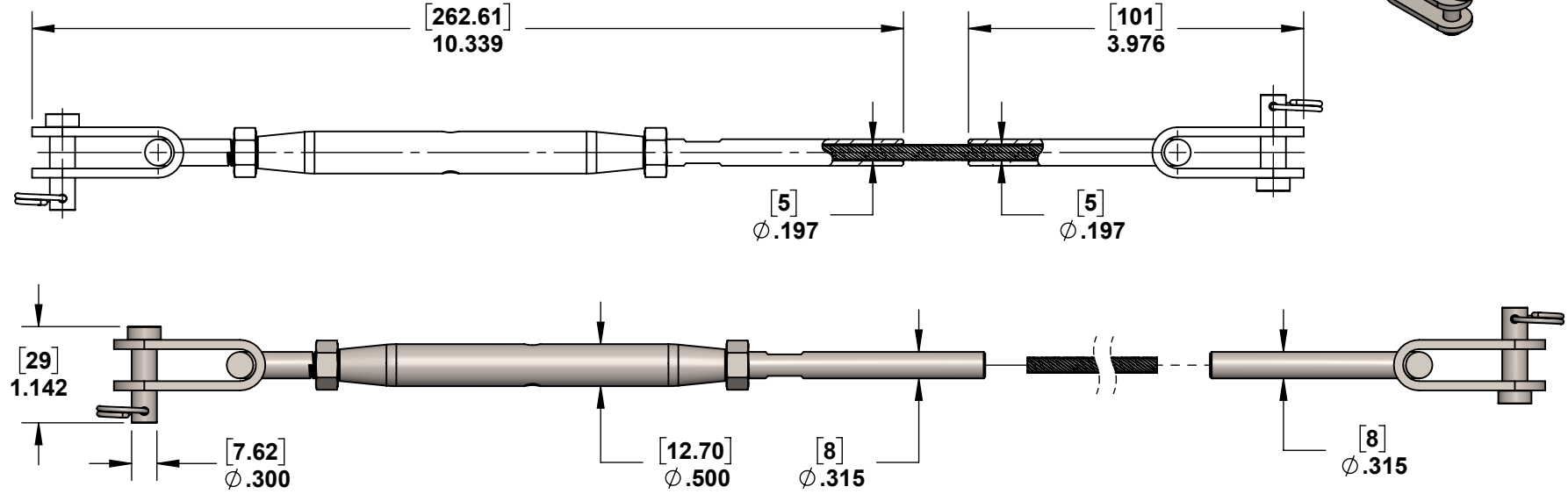
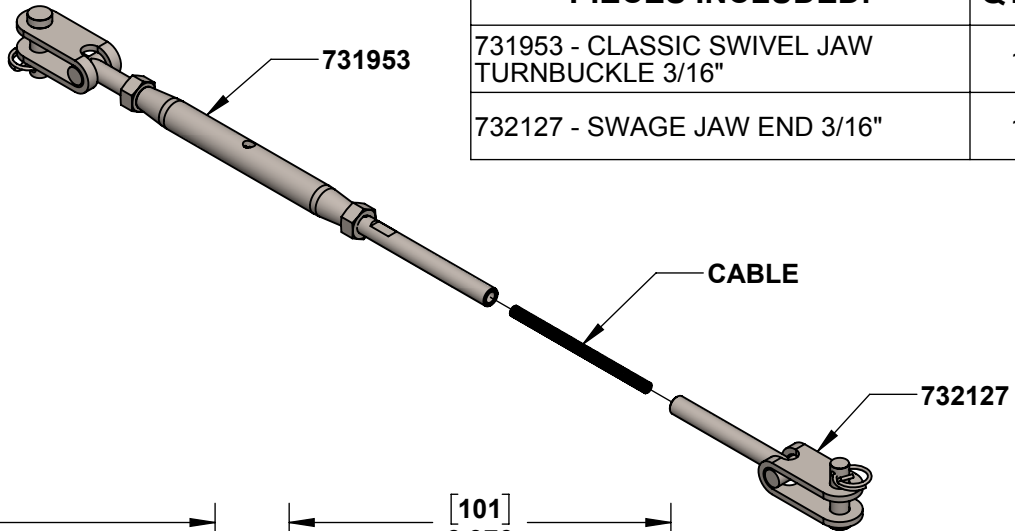


2

1



PIECES INCLUDED:	QTY.
731953 - CLASSIC SWIVEL JAW TURNBUCKLE 3/16"	1
732127 - SWAGE JAW END 3/16"	1



B

B

A

A



PROPRIETARY AND CONFIDENTIAL

THE INFORMATION CONTAINED IN THIS DRAWING IS THE SOLE PROPERTY OF STAINLESS CABLE AND RAILING®. ANY REPRODUCTION IN PART OR AS A WHOLE WITHOUT THE WRITTEN PERMISSION OF STAINLESS CABLE AND RAILING® IS PROHIBITED.

NOTES: UNLESS OTHERWISE SPECIFIED		NAME	DATE
1. DUAL DIMENSIONS SHOWN - INCHES [MM].	DIMENSIONS ARE IN INCHES	DRAWN	SCR
2. MACHINED SURFACES TO BE 63uIN MAX.	FRACTIONAL ±	ENG APPR.	
3. PART TO BE FREE OF BURRS AND SHARP EDGES.	ANGULAR: MACH ±	MFG APPR.	
4. ALL MATERIAL TO BE CLEAN, DEGREASED AND FREE OF ALL IMPURITIES.	TWO PLACE DECIMAL ±	COMMENTS:	
5. ANY CHANGE MUST BE AUTHORIZED BY AN SC&R ENGINEER.	THREE PLACE DECIMAL ±		
	MATERIAL		
	FINISH		

TITLE:		
CLASSIC JAW ASSEMBLY - FOR 3/16" CABLE RAILING		
SIZE	DWG. NO.	REV
A	985957	01
SCALE: 1:2	WEIGHT:	SHEET 1 OF 1

2

1